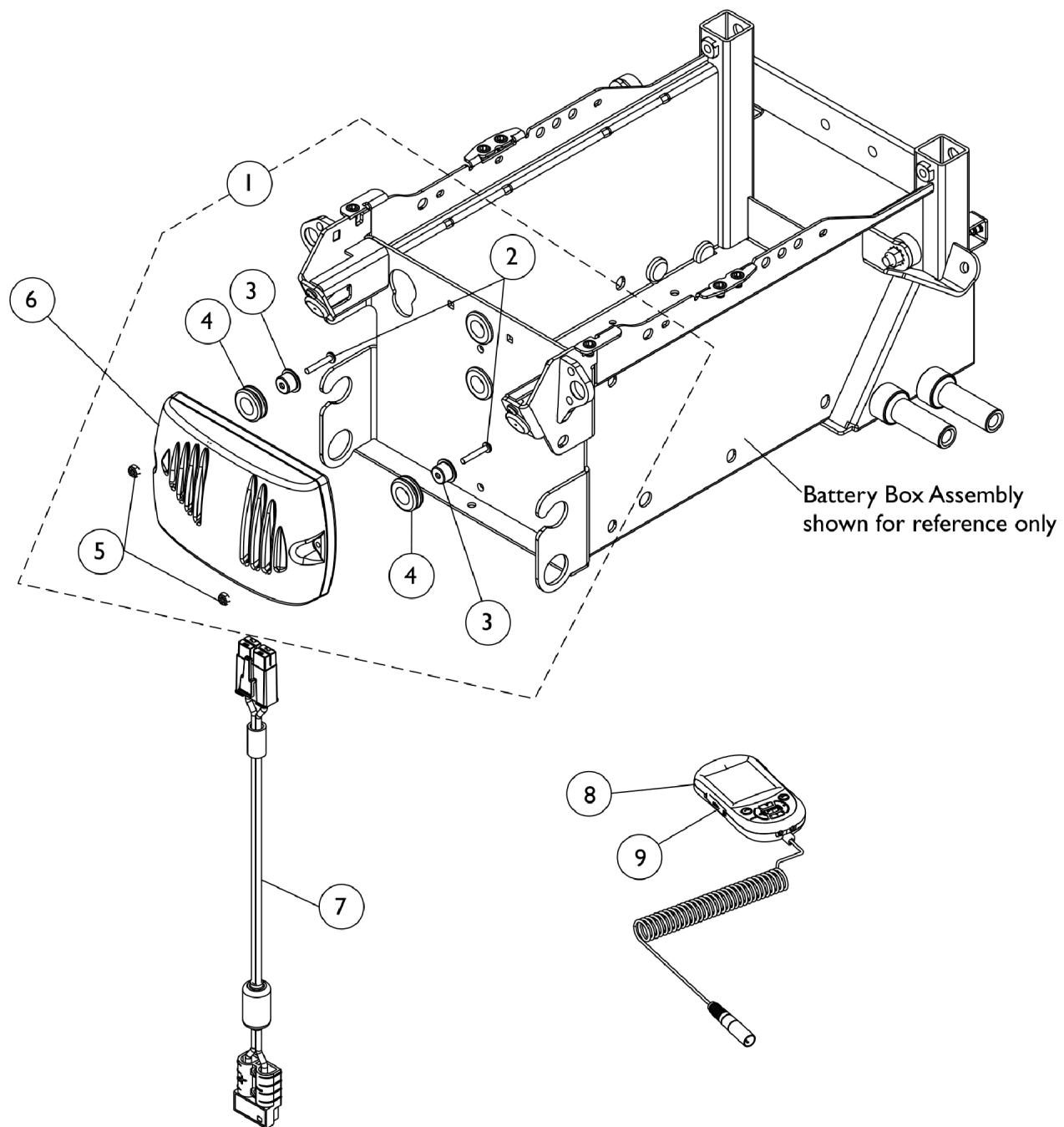


# Controller, Programmer, and Mounting Hardware - TDX SC and SPREE

To order a Rear Shroud that covers the Battery Box and Controller, refer to the TDX SC and TDX SPREE Power Wheelchair parts catalog. See page titled "Shrouds and Hardware".



# Controller, Programmer, and Mounting Hardware - TDX SC and SPREE

To order a Rear Shroud that covers the Battery Box and Controller, refer to the TDX SC and TDX SPREE Power Wheelchair parts catalog. See page titled "Shrouds and Hardware".

Item Number	Note	Part Number	Description	Quantity Per	
				Package	Assembly
1	A	1145070	Kit, Controller Mounting Hardware	1	1
2			Screw, Phillips Pan Head (#8-32 x 1")	1	2
3			Bushing	1	2
4			Grommet, Rubber (9/16 ID x 1-1/16 OD x 3/8")	1	2
5			Locknut (#8-32)	1	2
6		1127270	Controller, MK5 NX w/ ACC/ MK660 w/ ACC	1	1
7		60102824	Kit, Cable, Battery Extension	1	1
8	C	1139985	Programmer, MK6i Remote	1	1
8	C	1142215	Kit, MK6i Remote Programmer w/ SD Professional Card & Card Holder (1813M6)	1	1
9		1139997	Cover, SD Card Slot	1	1
	B	1095502-NLA	NLA - Package, Tie Wrap (11-1/2" L)	10	1

NOTE: A - Includes items 2-5.  
 B - Not Shown  
 C - The MK6i Programmer Manual (1141471) is not included and is strongly recommended the guide be ordered or downloaded from Literature Fulfillment.