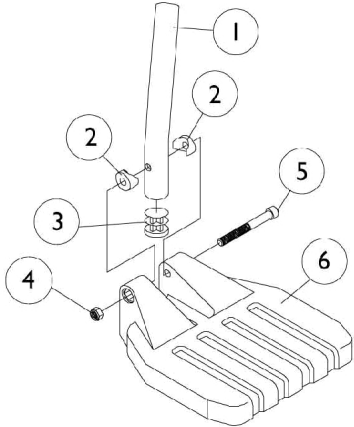
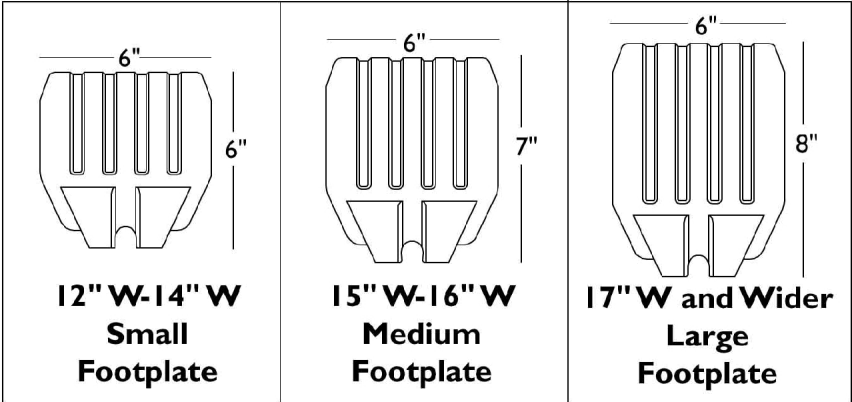


Pivot/Slide Tube w/ Footplate Assembly - Composite - 1651

NOTE: Heel Loops are not included. See Footrest and Legrest Accessories.

NOTE: For complete pivot/slide tube and footplate assemblies, see front riggings reference charts



Pivot/Slide Tube w/ Footplate Assembly - Composite - 1651

NOTE: Heel Loops are not included. See Footrest and Legrest Accessories.

NOTE: For complete pivot/slide tube and footplate assemblies, see front riggings reference charts

Item Number	Note	Part Number	Description	Quantity Per	
				Package	Assembly
1		1057852	Tube, Pivot/Slide, Curved End, Steel, Black (9-7/8")	1	1
1		1057854	Tube, Pivot/Slide, Curved End, 2" Longer, Steel, Black	1	1
1		1058418	Tube, Pivot/Slide, Curved End, 4" Longer, Steel, Black	1	1
2		1025457	Spacer, Coved (1/4 x 3/4 x 11/32")	1	2
3		1027097	Plug Button, Black (3/4")	1	1
4		1025195	Locknut (1/4-20)	1	1
5		60285X006	Screw, Socket Head (1/4-20 x 2-1/4")	1	1
6	A	1026879	Footplate, Composite, Small, Black (6" W x 6" L)	1	1
6	B	1026880	Footplate, Composite, Medium, Black (7" W x 6" L)	1	1
6	C	1026881	Footplate, Composite, Large, Black (8" W x 6" L)	1	1
6	D	1026879	Footplate, Composite, Small, Black (6" W x 6" L)	1	1
6	E	1026880	Footplate, Composite, Medium, Black (7" W x 6" L)	1	1
6	F	1026881	Footplate, Composite, Large, Black (8" W x 6" L)	1	1
NOTE: A - 12"-14" Wide B - 15"-16" Wide C - 17" and Wider D - 15"-17" Wide for 70STAPER E - 18"-19" Wide for 70STAPER F - 20" and Wider for 70STAPER					