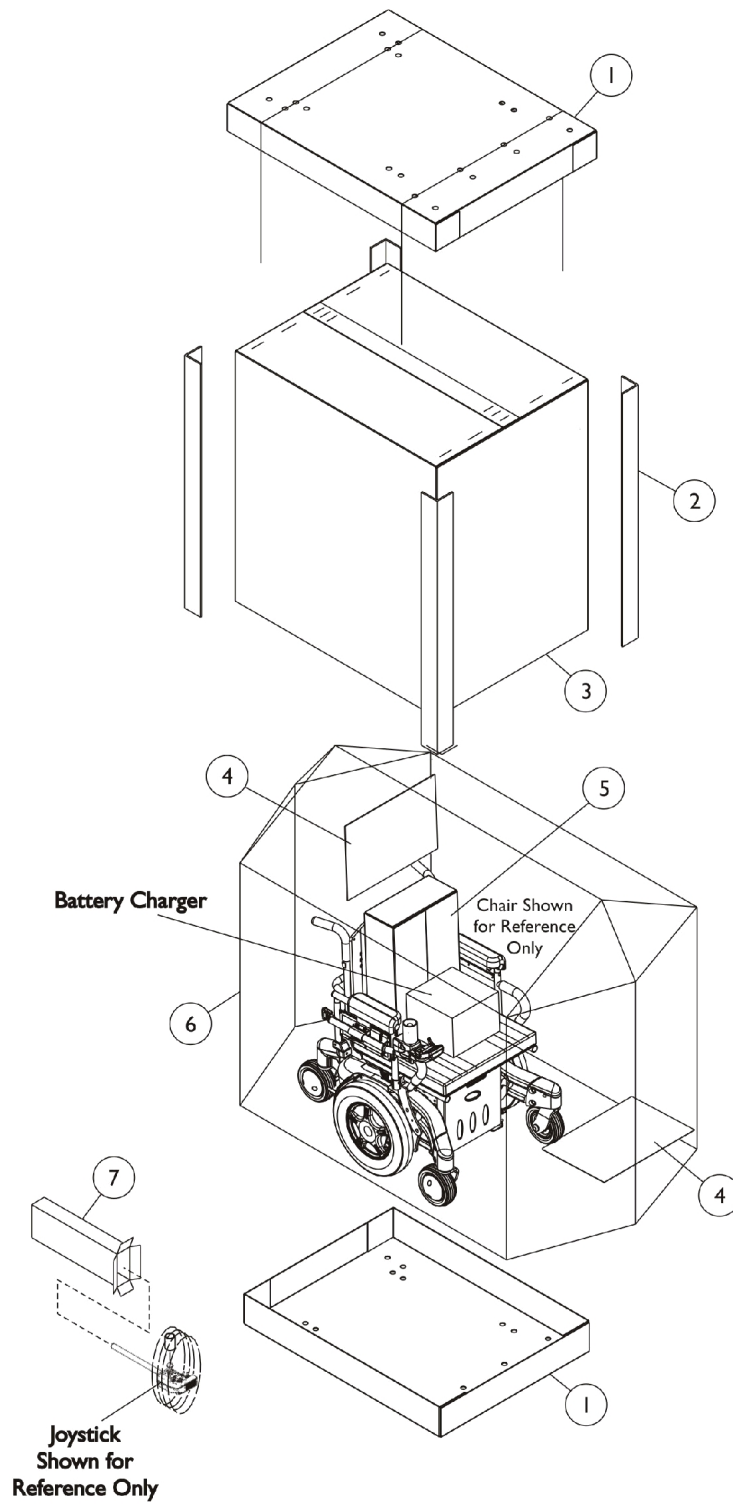


# Packaging & Literature



## Packaging & Literature

Item Number	Note	Part Number	Description	Quantity Per	
				Package	Assembly
1	A	1030362	Carton, Tray	1	2
1	C	1036027	Carton, Tray	1	2
2	A	1115174	Carton, Corner Reinforcement	1	4
2	B	1129589-NLA	Carton, Corner Reinforcement	1	4
2	C	1129590-NLA	Carton, Corner Reinforcement	1	4
3	A	1030364	Carton, Cover	1	1
3	B	1031682	Carton, Cover	1	1
3	C	1036028	Carton, Cover	1	1
4		40131X161	Insert, Plain Pad	1	2
5		40131X011-NLA	NLA - Carton, Front Riggings	1	1
6		1015592	Bag, Poly (72" L x 35" W x 19" D)	1	1
7	F	1012001-NLA	NLA - Carton, Joystick	1	1
	D	00077X031-NLA	NLA - Warranty Card	1	1
	D	1143155-NLA	NLA - Owner's Manual, Formula CG Seating	1	1
	E	1164348	Mailer, Return, Mercury Free	1	1
<p>NOTE: A - 12"-19" wide systems with base            B - 16"-19" wide systems medium/tall seat-to-floor heights with base            C - 20"-22" wide systems with base            D - Not Shown            E - For Massachusetts providers only.            F - Can use Item #5 part number 40131X011 for a Joystick also.</p>					
<p>When adjusting or replacing parts, please refer to your Owner's Manual for assistance.</p>					