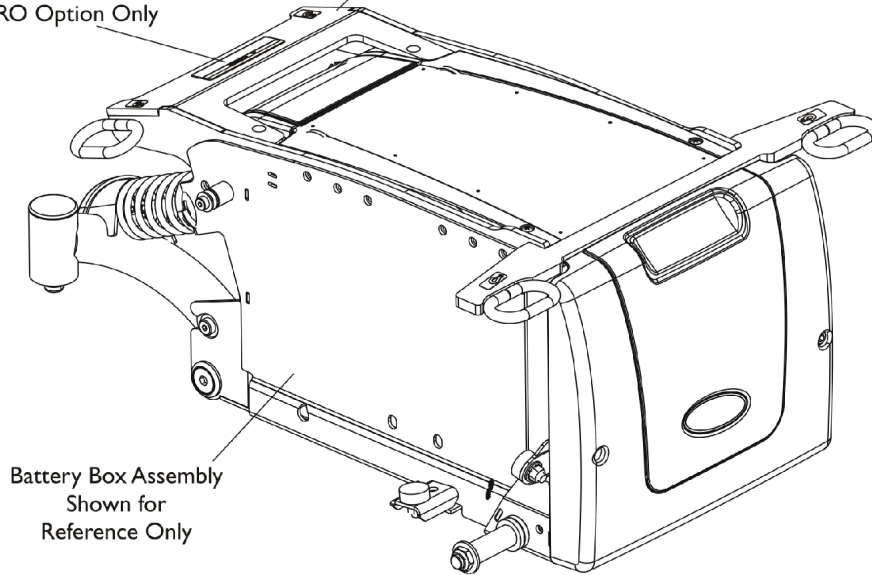


Battery Box Tie-Down Bracket Mounting Hardware For TRRO/TRBKTS Option

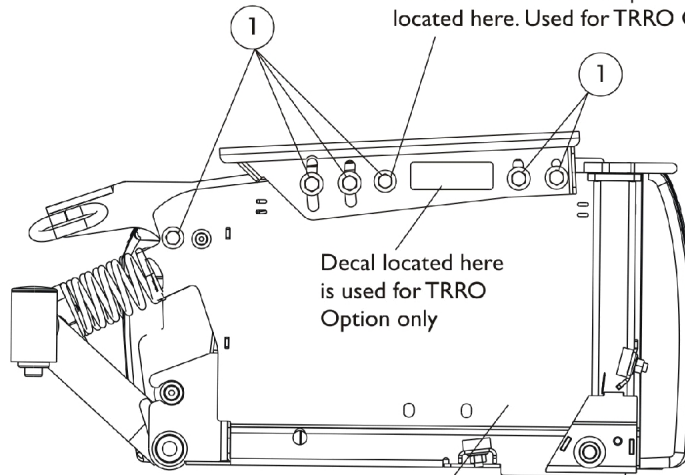
Battery Box Tie-Down Bracket is a Non-Serviceable Part.
Call Technical Services for assistance at 1-800-832-4707.

Decal is used for
TRRO Option Only



Battery Box Assembly
Shown for
Reference Only

NOTE: For TRBKTS Option Omit Screws
located here. Used for TRRO Option Only.



Decal located here
is used for TRRO
Option only

Battery Box Assembly
Shown for
Reference Only

Battery Box Tie-Down Bracket Mounting Hardware For TRRO/TRBKTS Option

Item Number	Note	Part Number	Description	Quantity Per	
				Package	Assembly
1	A	1144677-NLA	NLA - Package, Screw Hex Head Sems with Patch (5/16-18 x 3/4")	12	1
1	B	1144678	Package, Screw Hex Head Sems with Patch (5/16-18 x 3/4")	10	1
NOTE: A - Bracket Tie-Down Mounting Hardware For TRRO Option. B - Bracket Tie-Down Mounting Hardware For TRBKTS Option.					