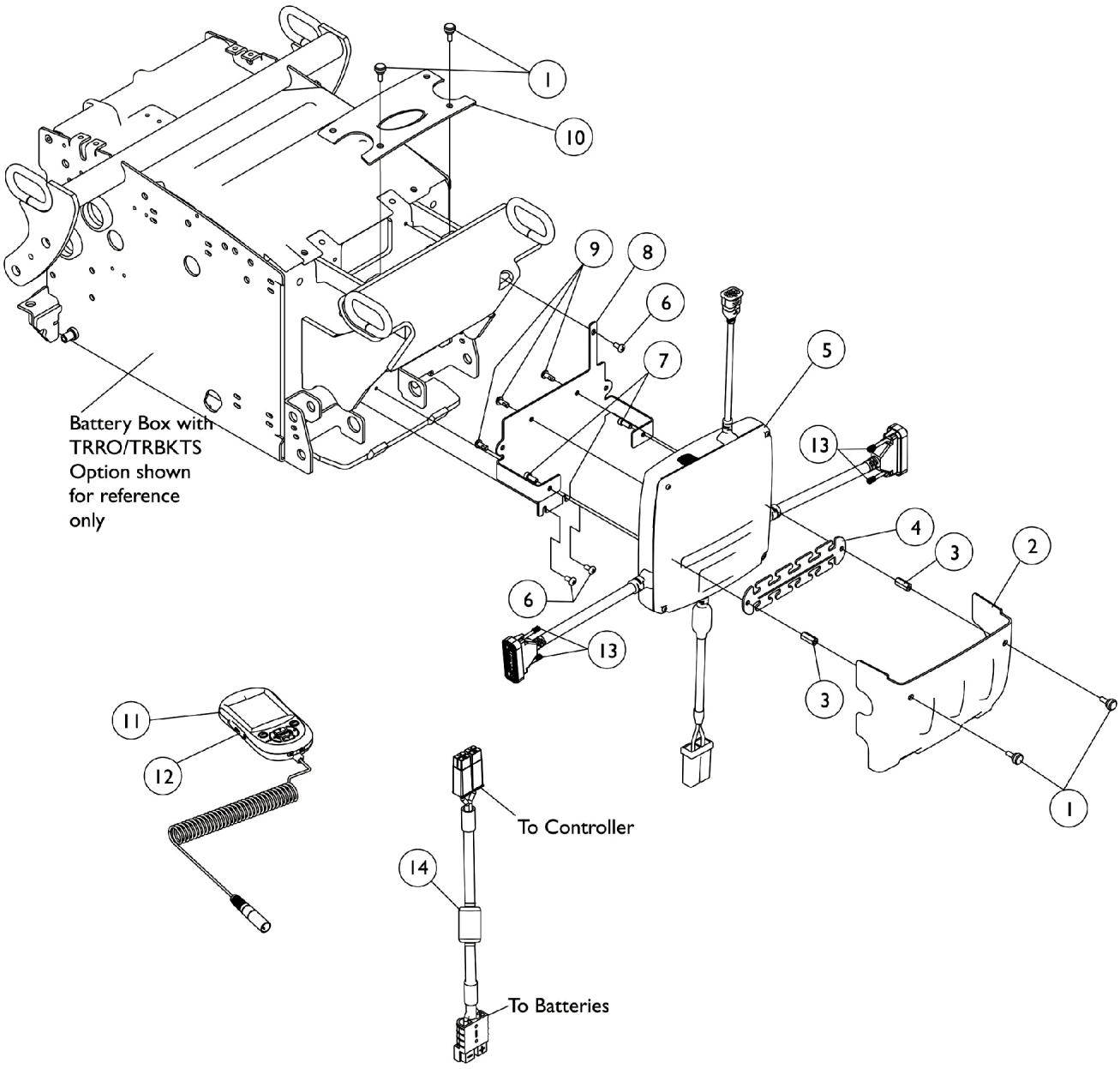


# Controller, Programmer, Shroud Cover & Mounting Hardware - TDX 3, 3 SE, 4, & 5 w/ GB TT Motors & TRRO/TRBKTS Option



## Controller, Programmer, Shroud Cover & Mounting Hardware - TDX 3, 3 SE, 4, & 5 w/ GB TT Motors & TRRO/TRBKTS Option

Item Number	Note	Part Number	Description	Quantity Per	
				Package	Assembly
1		1117240	Screw, Thumb (#10-32 x 1/2")	1	4
2		1137243-NLA	NLA - Cover, Controller Rear Shroud TRRO/TRBKTS	1	1
3		1113342-NLA	NLA - Stand-Off (#10-32 x 3/4")	1	2
4		1117194-NLA	NLA - Strip, Wiring	1	1
5	B	1134212	Controller w/ Gasket Connectors, MK6i GB TT CWD	1	1
6		1022597	Screw, Phillips Pan Head Tap (#10-32 x 3/8")	1	3
7		1113438-NLA	NLA - 3Screw, Socket Head (#10-32 x 1/2")	1	2
8		1133754-NLA	NLA - Bracket, Controller Mounting, Black	1	1
9		1104259	Screw, Phillips Pan Head w/ Patch (#10-32 x 1/2")	1	3
10		1139532-NLA	NLA - Cover, Controller Top Shroud	1	1
11	D	1139985	Programmer, MK6i Remote	1	1
11	D	1142215	Kit, MK6i Remote Programmer w/ SD Professional Card & Card Holder (1813M6)	1	1
12		1139997	Cover, SD Card Slot	1	1
13		1159217	Package, Thumb Screw (1-1/2" L)	10	1
	A	1095502-NLA	NLA - Package, Tie Wrap (11-1/2" L)	10	1
	A,C,C1	1134214	Kit, GB HD Controller Gasket Connector	1	1
14		60102824	Kit, Cable, Battery Extension	1	1

NOTE: A - Not Shown  
 B - Controller will include Gasket Connectors created 10/26/07 that will be attached to the motor cables. Part number on controller will reference 1136899, always order 1134212 as a service parts replacement  
 C - Kit was created 10/26/07 and attaches to the controller motor cables. Includes 2 ea. GB HD Controller Gasket Connectors, 2 ea. Silicon Lubricant Packets, 1 ea. Instruction Sheet. Individual components are non-saleable.  
 C1 - The kit can retrofit to existing GB HD controllers in the field  
 D - The MK6i Programmer Manual (1141471) is not included and is strongly recommended the guide be ordered or downloaded from Literature Fulfillment.