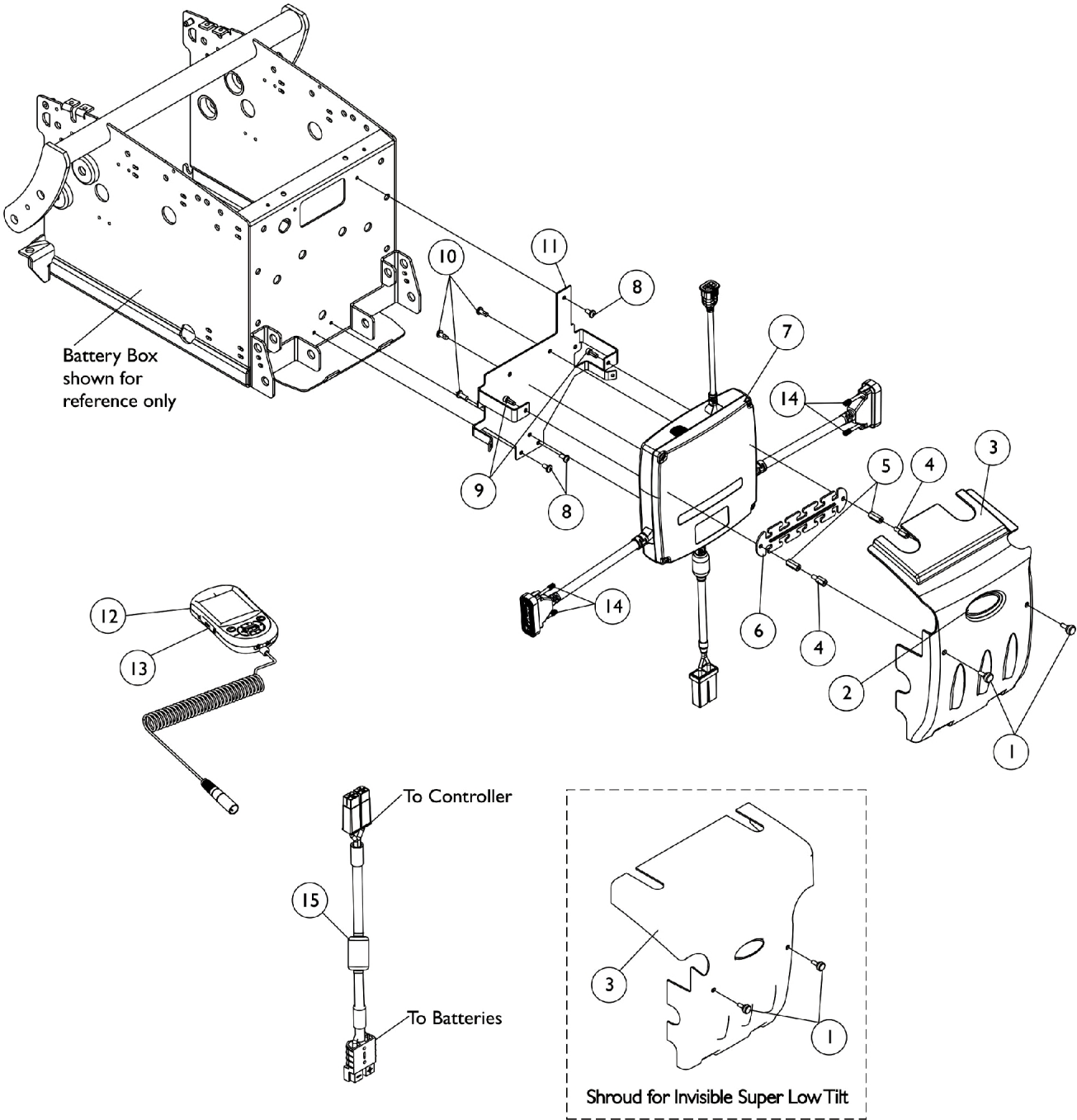


Controller, Programmer, Shroud Cover & Mounting Hardware - TDX 3, 3 SE, 4, & 5 w/ GB TT Motors



Controller, Programmer, Shroud Cover & Mounting Hardware - TDX 3, 3 SE, 4, & 5 w/ GB TT Motors

Item Number	Note	Part Number	Description	Quantity Per	
				Package	Assembly
1		1117240	Screw, Thumb (#10-32 x 1/2")	1	2
2		1095489	Decal, Invacare 3-D Logo (2-1/2" L)	1	1
3		1113214-NLA	NLA - Cover with Decal, Controller Shroud	1	1
3	A	1120240-NLA	NLA - Cover with Decal, Controller Shroud	1	1
4		1120258-NLA	NLA - Stand-Off (10-32 x 1/2")	1	2
5		1113342-NLA	NLA - Stand-Off (#10-32 x 3/4")	1	2
6		1117194-NLA	NLA - Strip, Wiring	1	1
7	C	1134212	Controller w/ Gasket Connectors, MK6i GB TT CWD	1	1
8		1022597	Screw, Phillips Pan Head Tap (#10-32 x 3/8")	1	3
9		1113438-NLA	NLA - 3Screw, Socket Head (#10-32 x 1/2")	1	2
10		1104259	Screw, Phillips Pan Head w/ Patch (#10-32 x 1/2")	1	3
11		1115829-NLA	NLA - Bracket, TDX Controller, Black	1	1
12	E	1139985	Programmer, MK6i Remote	1	1
12	E	1142215	Kit, MK6i Remote Programmer w/ SD Professional Card & Card Holder (1813M6)	1	1
13		1139997	Cover, SD Card Slot	1	1
14		1159217	Package, Thumb Screw (1-1/2" L)	10	1
	B	1095502-NLA	NLA - Package, Tie Wrap (11-1/2" L)	10	1
	B,D,D1	1134214	Kit, GB HD Controller Gasket Connector	1	1
15		60102824	Kit, Cable, Battery Extension	1	1

NOTE: A - Used on Formula Super Low Tilt systems
 B - Not Shown
 C - Controller will include Gasket Connectors created 10/26/07 that will be attached to the motor cables. Part number on controller will reference 1136899, always order 1134212 as a service parts replacement
 D - Kit was created 10/26/07 and attaches to the controller motor cables. Includes 2 ea. GB HD Controller Gasket Connectors, 2 ea. Silicon Lubricant Packets, 1 ea. Instruction Sheet. Individual components are non-saleable.
 D1 - The kit can retrofit to existing GB HD controllers in the field
 E - The MK6i Programmer Manual (1141471) is not included and is strongly recommended the guide be ordered or downloaded from Literature Fulfillment.