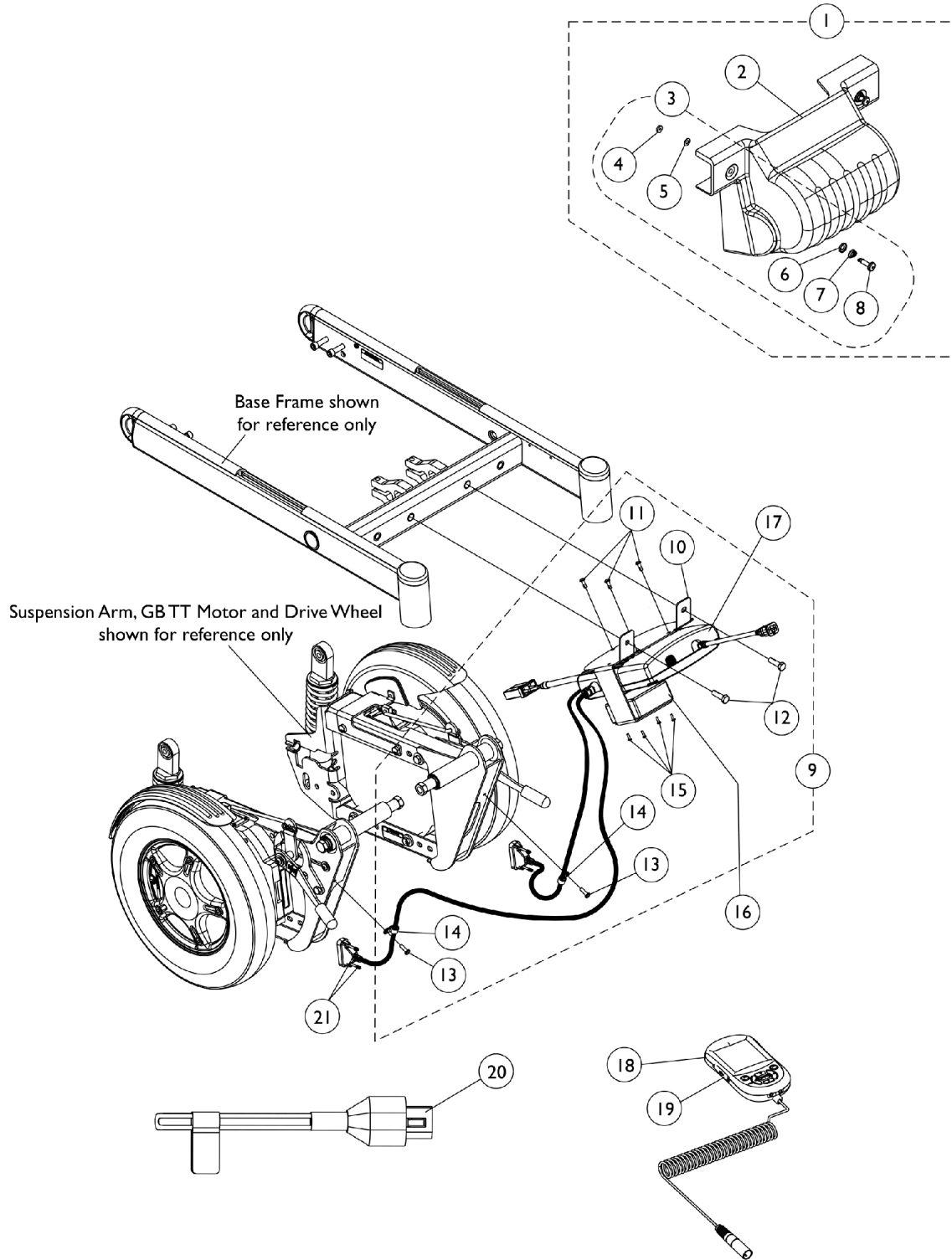


Controller - Programmer - Shroud Cover - MK6i TRAM w/ Mtg. Hdwr. - 3G Storm w/ GB TT Motors and Formula CG

NOTE: After 12/9/07 the TRAM Module was relocated next to the Recline Actuator Conventional Motor for Tilt/Recline & Recline Only systems. Tilt Only Systems with Conventional Tilt Actuator Motors use a GTAM module in place of the TRAM module also.



Controller - Programmer - Shroud Cover - MK6i TRAM w/ Mtg. Hdwr. - 3G Storm w/ GB TT Motors and Formula CG

NOTE: After 12/9/07 the TRAM Module was relocated next to the Recline Actuator Conventional Motor for Tilt/Recline & Recline Only systems. Tilt Only Systems with Conventional Tilt Actuator Motors use a GTAM module in place of the TRAM module also.

Item Number	Note	Part Number	Description	Quantity Per	
				Package	Assembly
1	A	1144784	Kit, Controller Shroud with Hardware	1	1
2			Shroud, Controller	1	1
4			NLA - Retainer, Stud (1/4" Turn)	1	2
5			NLA - Washer, Nylon Retainer (1/4 x 1/2 x 1/32")	1	2
6			NLA - Washer, Nylon Cupped (9/32 x 19/32 x 3/32")	1	2
7			NLA - Spring, Torsion Ejector	1	2
8			NLA - Stud, Phillips Recess (1/4" Dia. x 1" Long, 1/4 Turn)	1	2
3	B	1104706-NLA	NLA - Kit, Controller Shroud Mounting Hardware (Pair)	1	1
4		1110509-NLA	NLA - Retainer, Stud (1/4" Turn)	1	2
5		1070580-NLA	NLA - Washer, Nylon Retainer (1/4 x 1/2 x 1/32")	1	2
6		1070581-NLA	NLA - Washer, Nylon Cupped (9/32 x 19/32 x 3/32")	1	2
7		1093312-NLA	NLA - Spring, Torsion Ejector	1	2
8		1110508-NLA	NLA - Stud, Phillips Recess (1/4" Dia. x 1" Long, 1/4 Turn)	1	2
9	C	1145385-NLA	NLA - Kit, Controller Bracket Mounting Hardware	1	1
10			Bracket, Controller Mounting, Black	1	1
11			Screw, Phillips Pan Head w/ Patch (#10-32 x 1/2")	1	3
12			Screw, Hex Head w/ Patch (5/16-18 x 1")	1	2
13			Screw, Phillips Pan Head (#10-32 x 5/8")	1	2
14			NLA - Clamp, Cable (9/16")	1	2
15			Screw, Phillips Pan Head (#4-40 x 3/8")	1	4
16	D,D1	1140098	Module, Tilt Recline Actuator (TRAM) - MK6i (36" L)	1	1
16	D,D1	1140098E-NLA	NLA - WARR RPLMT - Module, Tilt Recline Actuator (TRAM) - MK6i	1	1
17	F	1134213	Controller w/ Gasket Connectors, MK6i GB TT RWD	1	1
18	I	1139985	Programmer, MK6i Remote	1	1
18	I	1142215	Kit, MK6i Remote Programmer w/ SD Professional Card & Card Holder (1813M6)	1	1
19		1139997	Cover, SD Card Slot	1	1
20	D	1142223-NLA	NLA - Plug Assembly, Max Angle Shorting	1	1
21		1159217	Package, Thumb Screw (1-1/2" L)	10	1
	E	1095502-NLA	NLA - Package, Tie Wrap (11-1/2" L)	10	1
	E,G	1134214	Kit, GB HD Controller Gasket Connector	1	1
	H	1101400	Harness, ELRPW Power Legrest - Right	1	1

Controller - Programmer - Shroud Cover - MK6i TRAM w/ Mtg. Hdwr. - 3G Storm w/ GB TT Motors and Formula CG

NOTE: After 12/9/07 the TRAM Module was relocated next to the Recline Actuator Conventional Motor for Tilt/Recline & Recline Only systems. Tilt Only Systems with Conventional Tilt Actuator Motors use a GTAM module in place of the TRAM module also.

NOTE: A - Includes items 2 and 3
B - Includes items 4-8
C - Includes items 10-15
D - Max Angle Shorting Plug Assembly plugs into the Max Angle Connector on the TRAM module to close the circuit. Only the Tilt Sensor Connector is used. This applies to a Conventional Tilt Actuator only.
D1 - Max Angle Shorting Plug is not used with the GTAM that replaced the TRAM for (CGT) with GB motors.
E - Not Shown
F - Controller will include Gasket Connectors created 10/26/07 that will be attached to the motor cables. Part number on controller will reference 1140040, always order 1134213 as a service parts replacement
G - Kit was created 10/26/07 and attaches to the controller motor cables. Includes 2 ea. GB HD Controller Gasket Connectors, 2 ea. Silicon Lubricant Packets, 1 ea. Instruction Sheet. Individual components are non-saleable.
H - Not Shown. ELRPW Power Legrest Harness part #1101400 is used to connect between the TRAM Module and a Conventional Tilt Actuator as well.
I - The MK6i Programmer Manual (1141471) is not included and is strongly recommended the guide be ordered or downloaded from Literature Fulfillment.