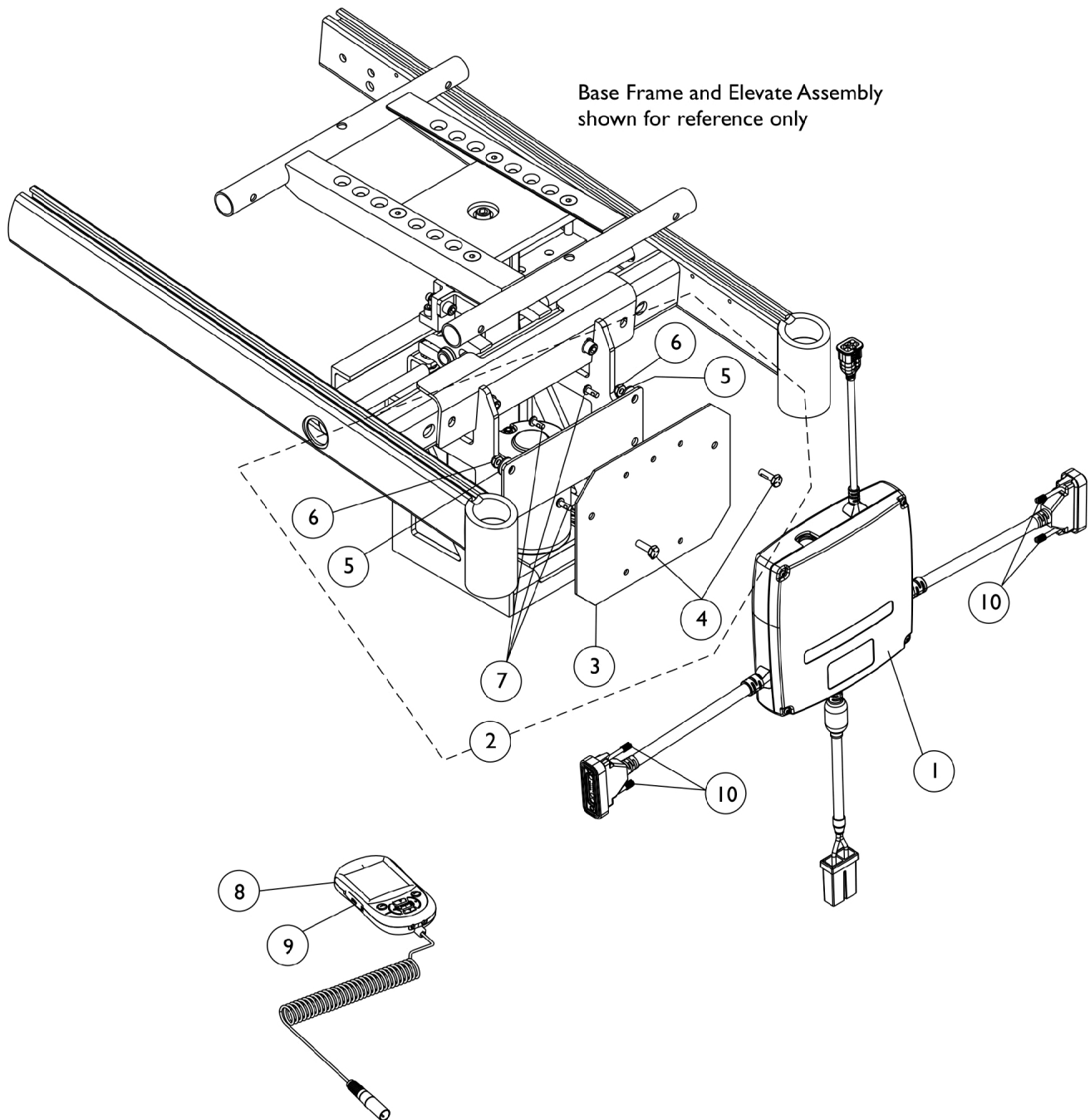


Controller - Programmer w/ Mtg. Hdwr. - 3G Storm w/ GB TT Motors & Formula CG Elevate



Controller - Programmer w/ Mtg. Hdwr. - 3G Storm w/ GB TT Motors & Formula CG Elevate

Item Number	Note	Part Number	Description	Quantity Per	
				Package	Assembly
1	A	1134213	Controller w/ Gasket Connectors, MK6i GB TT RWD	1	1
2	B	1151800-NLA	NLA - Kit, GB HD Controller Mounting Hardware	1	1
3			Plate, GB HD Controller Mounting	1	1
4			Screw, Hex Head w/ Patch (1/4-20 x 3/4")	1	2
5			Washer (1/4 x 23/32 x 1/16")	1	2
6			Locknut (1/4-20)	1	2
7			Screw, Phillips Pan Head w/ Patch (#10-32 x 1/2")	1	3
8	E	1139985	Programmer, MK6i Remote	1	1
8	E	1142215	Kit, MK6i Remote Programmer w/ SD Professional Card & Card Holder (1813M6)	1	1
9		1139997	Cover, SD Card Slot	1	1
10		1159217	Package, Thumb Screw (1-1/2" L)	10	1
	C	1095502-NLA	NLA - Package, Tie Wrap (11-1/2" L)	10	1
	C,D,D1	1134214	Kit, GB HD Controller Gasket Connector	1	1

NOTE: A - Controller will include Gasket Connectors created 10/26/07 that will be attached to the motor cables. Part number on controller will reference 1140040, always order 1134213 as a service parts replacement
B - Includes items 3-7
C - Not Shown
D - Kit was created 10/26/07 and attaches to the controller motor cables. Includes 2 ea. GB HD Controller Gasket Connectors, 2 ea. Silicon Lubricant Packets, 1 ea. Instruction Sheet. Individual components are non-saleable.
D1 - The kit can retrofit to existing GB HD controllers in the field
E - The MK6i Programmer Manual (1141471) is not included and is strongly recommended the guide be ordered or downloaded from Literature Fulfillment.