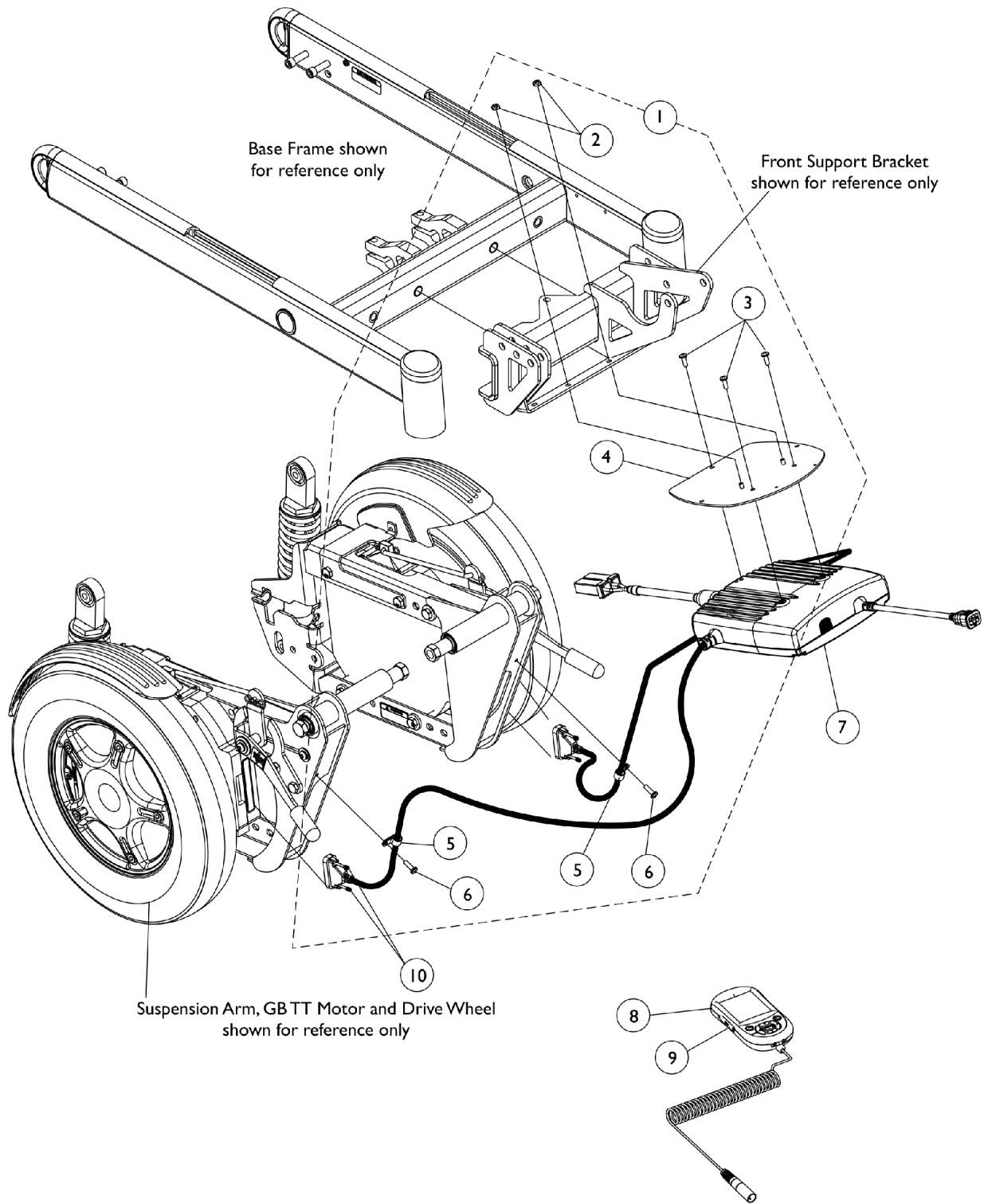


Controller - Programmer w/ Mtg. Hdwr. - 3G Storm w/ GB TT Motors & PTO Seating



Controller - Programmer w/ Mtg. Hdwr. - 3G Storm w/ GB TT Motors & PTO Seating

Item Number	Note	Part Number	Description	Quantity Per	
				Package	Assembly
1	A	1145387	Kit, Controller Bracket Mounting Hardware	1	1
2			Locknut (#10-32)	1	2
3			Screw, Phillips Pan Head w/ Patch (#10-32 x 1/2")	1	3
4			Bracket, Controller Mounting, Black	1	1
5			NLA - Clamp, Cable (9/16")	1	2
6			Screw, Phillips Pan Head (#10-32 x 5/8")	1	2
7	C	1134213	Controller w/ Gasket Connectors, MK6i GB TT RWD	1	1
8	E	1139985	Programmer, MK6i Remote	1	1
8	E	1142215	Kit, MK6i Remote Programmer w/ SD Professional Card & Card Holder (1813M6)	1	1
9		1139997	Cover, SD Card Slot	1	1
10		1159217	Package, Thumb Screw (1-1/2" L)	10	1
	B	1095502-NLA	NLA - Package, Tie Wrap (11-1/2" L)	10	1
	B,D,D1	1134214	Kit, GB HD Controller Gasket Connector	1	1

NOTE: A - Includes items 2-6
B - Not Shown.
C - Controller will include Gasket Connectors created 10/26/07 that will be attached to the motor cables. Part number on controller will reference 1140040, always order 1134213 as a service parts replacement
D - Kit was created 10/26/07 and attaches to the controller motor cables. Includes 2 ea. GB HD Controller Gasket Connectors, 2 ea. Silicon Lubricant Packets, 1 ea. Instruction Sheet. Individual components are non-saleable.
D1 - The kit can retrofit to existing GB HD controllers in the field
E - The MK6i Programmer Manual (1141471) is not included and is strongly recommended the guide be ordered or downloaded from Literature Fulfillment.