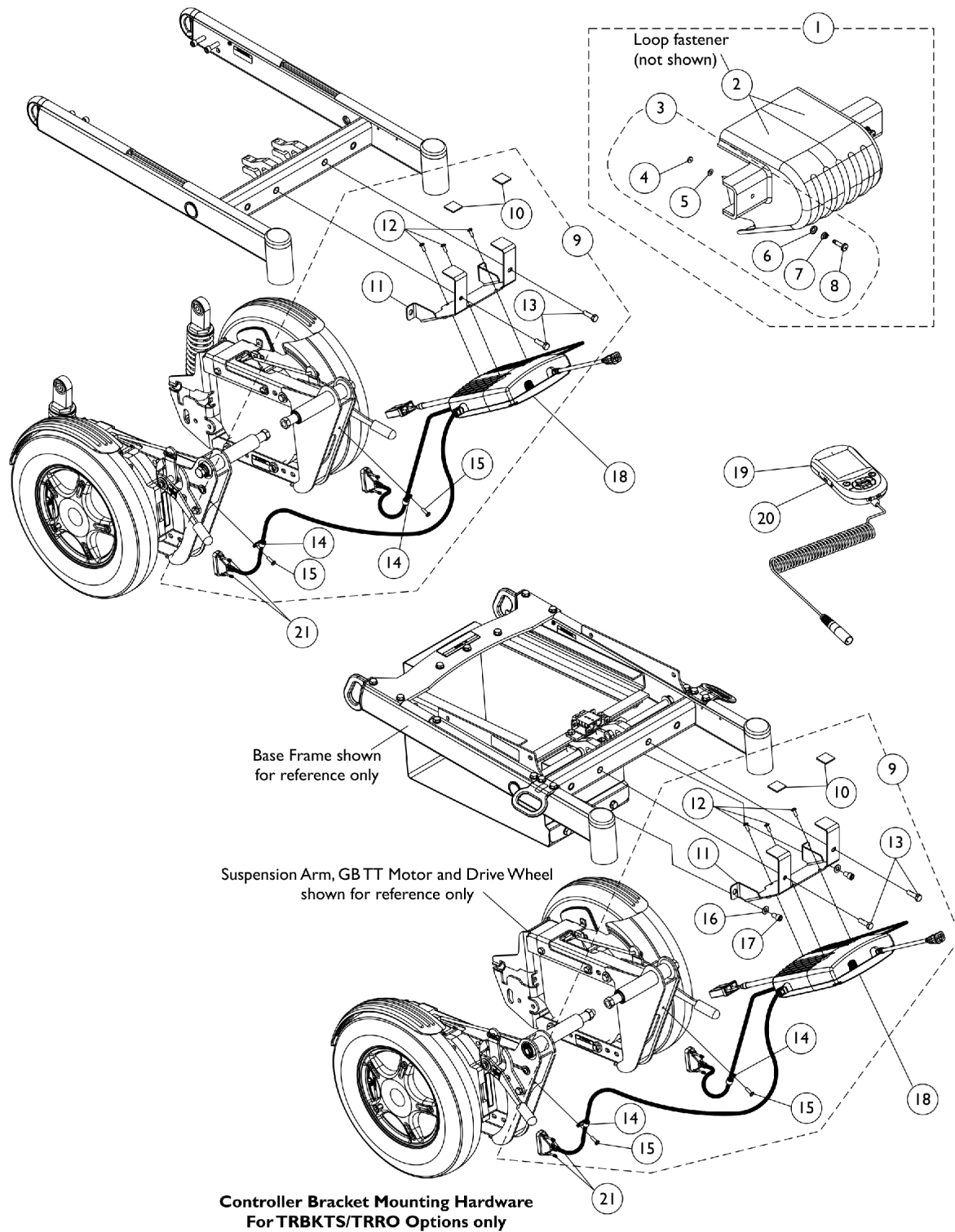


Controller - Programmer - Shroud Cover w/ Mtg. Hdwr. - 3G Storm w/ GB TT Motors



Controller - Programmer - Shroud Cover w/ Mtg. Hdwr. - 3G Storm w/ GB TT Motors

Item Number	Note	Part Number	Description	Quantity Per	
				Package	Assembly
1	A	1104839	Kit, Controller Shroud w/ Hardware	1	1
2		1079246-NLA	NLA - Fastener, Loop Adhesive Back (1" W x 3" L)	1	2
3	B	1104706-NLA	NLA - Kit, Controller Shroud Mounting Hardware (Pair)	1	1
4		1110509-NLA	NLA - Retainer, Stud (1/4" Turn)	1	2
5		1070580-NLA	NLA - Washer, Nylon Retainer (1/4 x 1/2 x 1/32")	1	2
6		1070581-NLA	NLA - Washer, Nylon Cupped (9/32 x 19/32 x 3/32")	1	2
7		1093312-NLA	NLA - Spring, Torsion Ejector	1	2
8		1110508-NLA	NLA - Stud, Phillips Recess (1/4" Dia. x 1" Long, 1/4 Turn)	1	2
9	C	1145386-NLA	NLA - Kit, Controller Bracket Mounting Hardware	1	1
10			NLA - Fastener, Hook with Adhesive Back (1" W x 1" L)	1	2
11			Bracket, Controller Mounting, Black	1	1
12			Screw, Phillips Pan Head w/ Patch (#10-32 x 1/2")	1	3
13			Screw, Hex Head w/ Patch (5/16-18 x 1")	1	2
14			NLA - Clamp, Cable (9/16")	1	2
15			Screw, Phillips Pan Head (#10-32 x 5/8")	1	2
9	C	1142210-NLA	NLA - Kit, Controller Bracket Mounting Hardware (For TRRO/TRBKTS Options)	1	1
10			NLA - Fastener, Hook with Adhesive Back (1" W x 1" L)	1	2
11			Bracket, Controller Mounting, Black	1	1
12			Screw, Phillips Pan Head w/ Patch (#10-32 x 1/2")	1	3
13			Screw, Hex Head w/ Patch (5/16-18 x 1")	1	2
14			NLA - Clamp, Cable (9/16")	1	2
15			Screw, Phillips Pan Head (#10-32 x 5/8")	1	2
16			Washer, Flat (5/16 x 5/8 x 1/16")	1	2
17			NLA - Screw, Socket Head Cap (5/16-18 x 1/2")	1	2
18	F	1134213	Controller w/ Gasket Connectors, MK6i GB TT RWD	1	1
19	H	1139985	Programmer, MK6i Remote	1	1
19	H	1142215	Kit, MK6i Remote Programmer w/ SD Professional Card & Card Holder (1813M6)	1	1
20		1139997	Cover, SD Card Slot	1	1
21		1159217	Package, Thumb Screw (1-1/2" L)	10	1
	E	1095502-NLA	NLA - Package, Tie Wrap (11-1/2" L)	10	1
	E,G,G1	1134214	Kit, GB HD Controller Gasket Connector	1	1

NOTE: A - Includes shroud cover and items 2-3
 B - Includes items 4-8
 C - Includes items 10-15
 E - Not Shown
 F - Controller will include Gasket Connectors created 10/26/07 that will be attached to the motor cables. Part number on controller will reference 1140040, always order 1134213 as a service parts replacement
 G - Kit was created 10/26/07 and attaches to the controller motor cables. Includes 2 ea. GB HD Controller Gasket Connectors, 2 ea. Silicon Lubricant Packets, 1 ea. Instruction Sheet. Individual components are non-saleable.
 G1 - The kit can retrofit to existing GB HD controllers in the field
 H - The MK6i Programmer Manual (1141471) is not included and is strongly recommended the guide be ordered or downloaded from Literature Fulfillment.