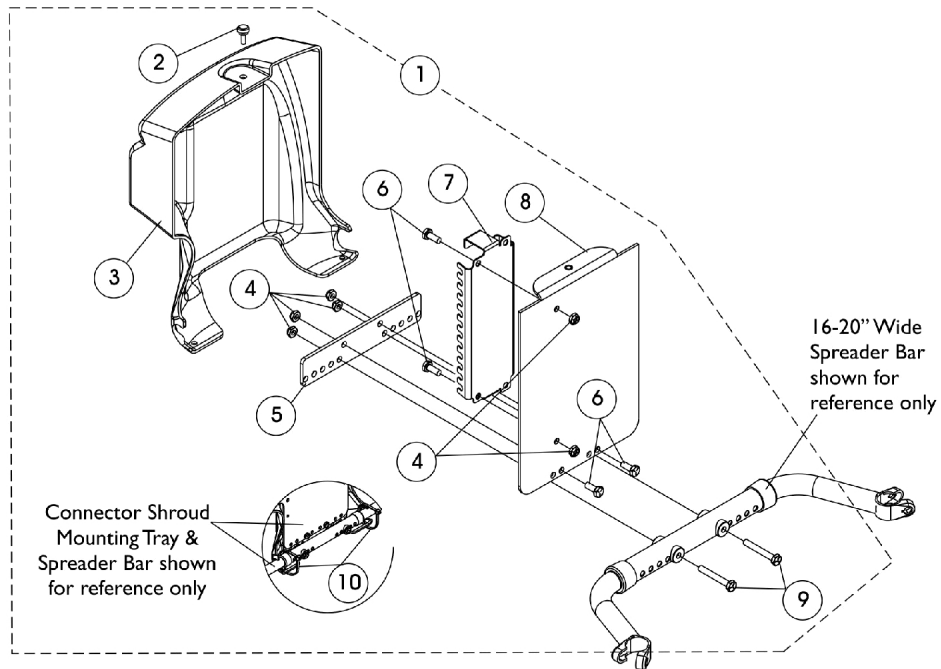
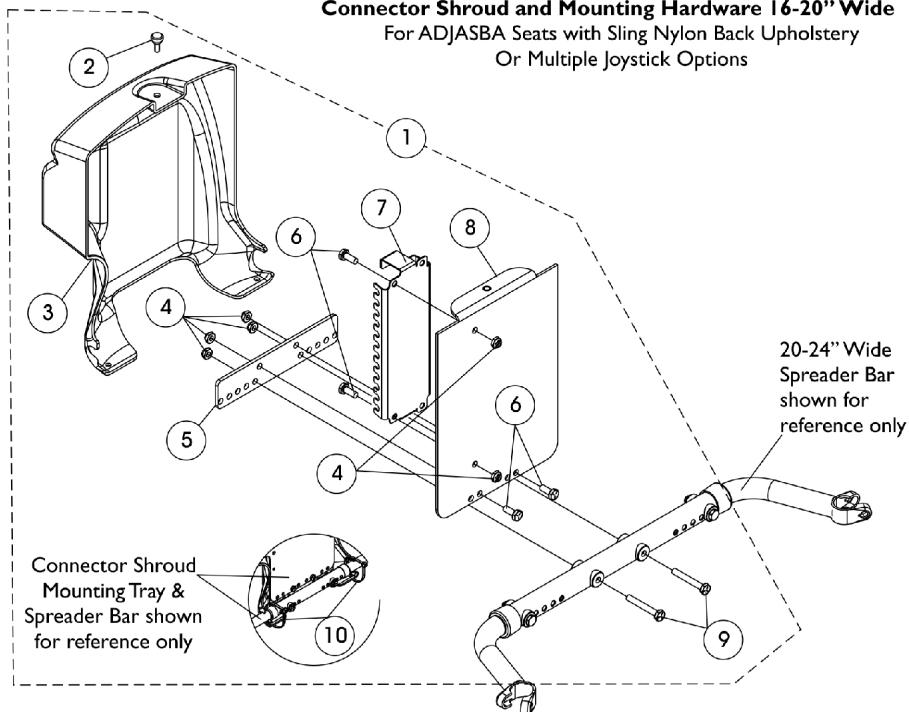


Shroud Cover, MK6i Connector Before 12/10/07

(ADJASBA w/ Sling Nylon Back Uph. or Multiple Switch Options)



Connector Shroud and Mounting Hardware 16-20" Wide
For ADJASBA Seats with Sling Nylon Back Upholstery
Or Multiple Joystick Options



Connector Shroud and Mounting Hardware 20-24" Wide
For ADJASBA Seats with Sling Nylon Back Upholstery
Or Multiple Joystick Options

Shroud Cover, MK6i Connector Before 12/10/07

(ADJASBA w/ Sling Nylon Back Uph. or Multiple Switch Options)

Item Number	Note	Part Number	Description	Quantity Per	
				Package	Assembly
1	A,B	1145075	NLA - Kit, Connector Shroud and Mtg. Hdwr. for 16"-24" Wide ADJASBA Seats w/ Nylon Sling Back Uph.	1	1
2			Screw, Thumb (#10-32 x 1/2")	1	1
3			NLA - Shroud, MK6i Connector	1	1
4			Locknut (1/4-20)	1	6
5			Plate, Mounting	1	1
6			Screw, Hex Head (1/4-20 x 5/8")	1	4
7			Bracket, MK6i Connector, Black	1	1
8			Tray, MK6i Connector Shroud Mounting	1	1
9			NLA - Screw, Hex Head (1/4-20 x 1-3/4")	1	2
10			Tie Wrap (11-1/2" L)	1	2
2		1117240	Screw, Thumb (#10-32 x 1/2")	1	1
3		1148151-NLA	NLA - Shroud, MK6i Connector	1	1
7	B	1154125	Kit, MK6i Connector Bracket and Threaded Insert	1	1

NOTE: A - Includes items 2-10.
B - Item 7 MK6i Connector Bracket was revised 4/28/08 and is backward compatible. When a new MK6i Connector Bracket is requested, order service part # 1154125