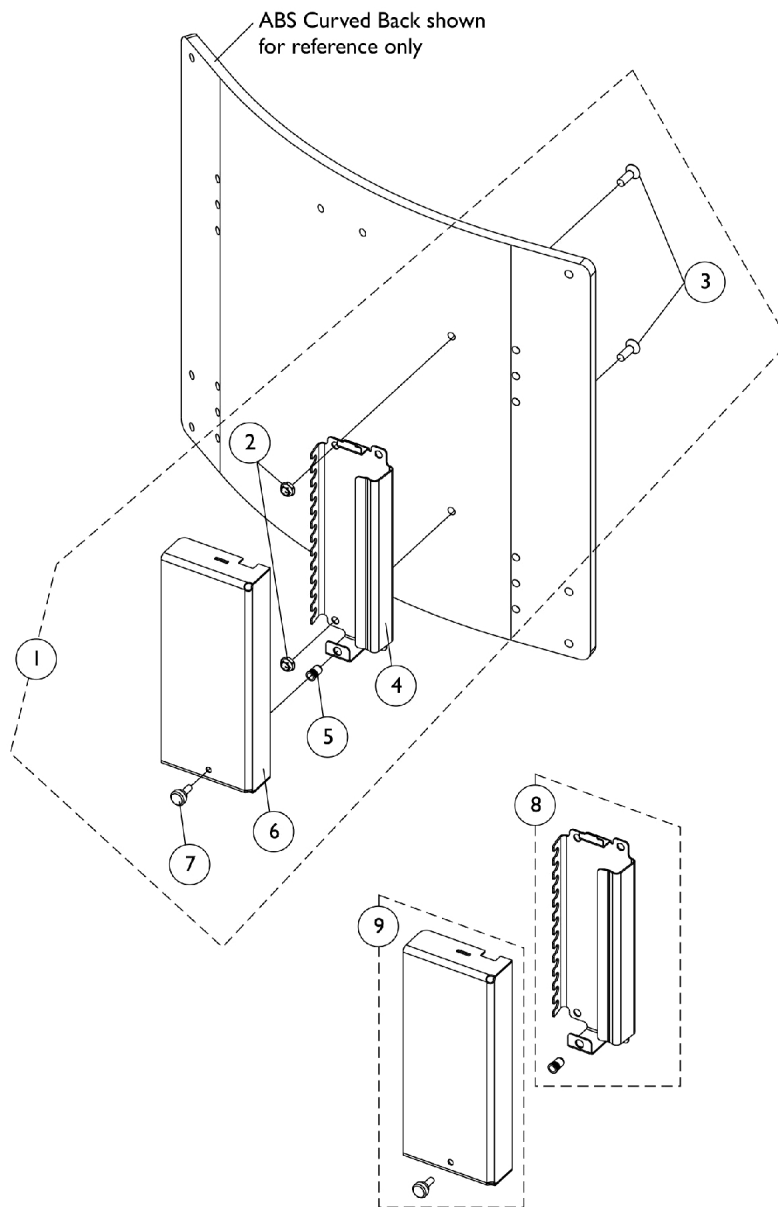


MK6i Connector Bracket & Hardware After 12/9/07

Formula (CGT) w/ ABS Curved Back & Multiple Switch Options



MK6i Connector Bracket & Hardware After 12/9/07 Formula (CGT) w/ ABS Curved Back & Multiple Switch Options

Item Number	Note	Part Number	Description	Quantity Per	
				Package	Assembly
1	A,B	1134243	Kit, MK6i Connector Bracket and Mounting Hardware For ABS Curved Back	1	1
2			Locknut (1/4-20)	1	2
3			Screw, Socket Flat Head (1/4-20 x 3/4")	1	2
4			Bracket, MK6i Connector, Black	1	1
5			Insert, Threaded (#10-32)	1	1
6			Cover, MK6i Connector Bracket	1	1
7			Screw, Thumb (#10-32 x 1/2")	1	1
8	C	1154125	Kit, MK6i Connector Bracket and Threaded Insert	1	1
9	D	1154126	Kit, MK6i Connector Bracket Cover and Attaching Screw	1	1
6			Cover, MK6i Connector Bracket	1	1
7			Screw, Thumb (#10-32 x 1/2")	1	1
<p>NOTE: A - Includes items 2-7 and can only be used on ABS Curved Backs manufactured after 12/9/07 that have the two holes added to accommodate the MK6i Connector Bracket</p> <p>B - Item 6 Connector Bracket Cover was introduced 4/28/08 and item 4 Connector Bracket was revised to use the cover</p> <p>C - Includes items 4 and 5</p> <p>D - Includes items 6 and 7. When converting in the field for the first time to add the Connector Bracket Cover that was introduced 4/28/08, items 8 and 9 must be ordered together.</p>					