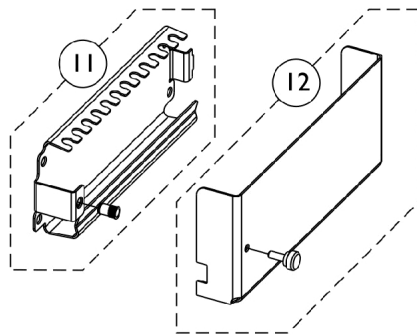
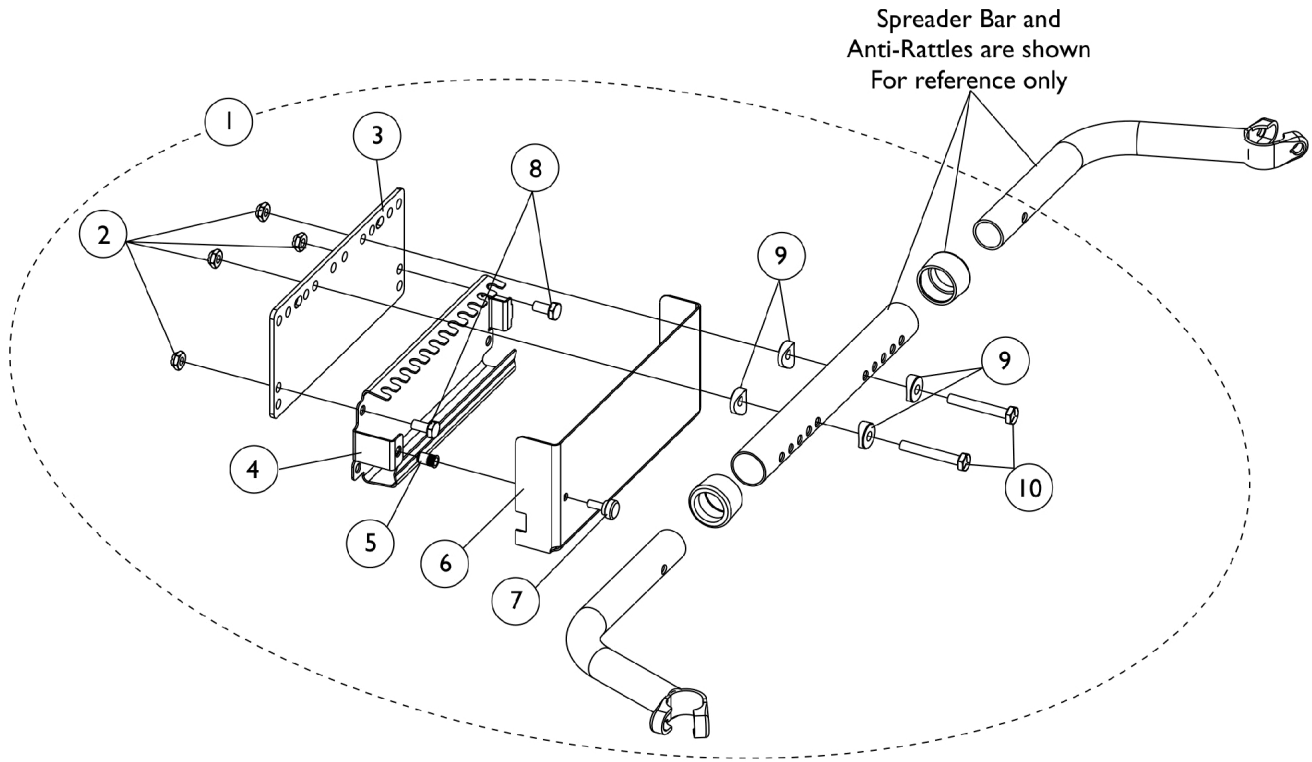


MK6i Connector Bracket and Hardware

After 12/9/07

ADJASBA w/ Sling Nylon Back Upholstery or Multiple Switch Options



MK6i Connector Bracket and Hardware After 12/9/07

ADJASBA w/ Sling Nylon Back Upholstery or Multiple Switch Options

Item Number	Note	Part Number	Description	Quantity Per	
				Package	Assembly
1	A	1134242	Kit, MK6i Connector Bracket & Mounting Hardware for 16"-24" Wide	1	1
2			Locknut (1/4-20)	1	4
3			Plate, Mounting	1	1
4			Bracket, MK6i Connector, Black	1	1
5			Insert, Threaded (#10-32)	1	1
6			Cover, MK6i Connector Bracket	1	1
7			Screw, Thumb (#10-32 x 1/2")	1	1
8			NLA - Screw, Hex Head (1/4-20 x 1-1/2")	1	2
9			Spacer, Coved (1/4 x 11/16 x 1/2")	1	4
10			NLA - Screw, Hex Head (1/4-20 x 1-3/4")	1	2
11	B	1154125	Kit, MK6i Connector Bracket and Threaded Insert	1	1
12	C	1154126	Kit, MK6i Connector Bracket Cover and Attaching Screw	1	1
6			Cover, MK6i Connector Bracket	1	1
7			Screw, Thumb (#10-32 x 1/2")	1	1

NOTE: A - Includes items 2-10. Item 6 Connector Bracket Cover was introduced 4/28/08 and item 4 Connector Bracket was revised to use the cover.
 B - Includes items 4 and 5
 C - Includes items 6 and 7. When converting in the field for the first time to add the Connector Bracket Cover that was introduced 4/28/08, items 11 and 12 must be ordered together.