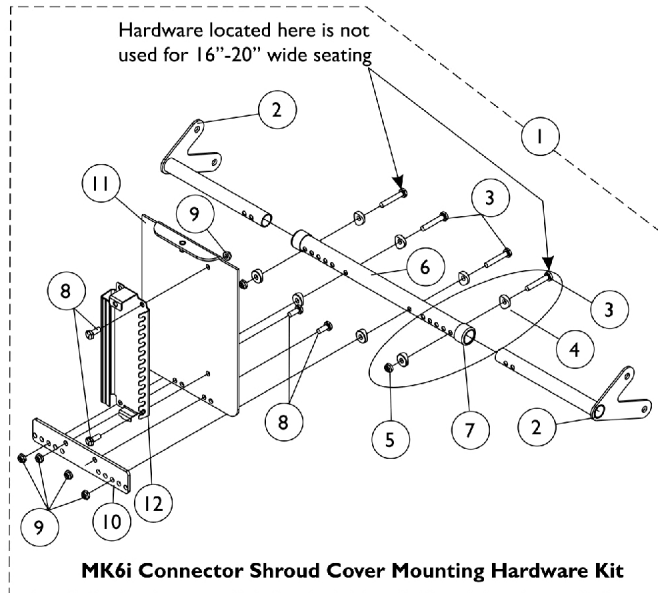
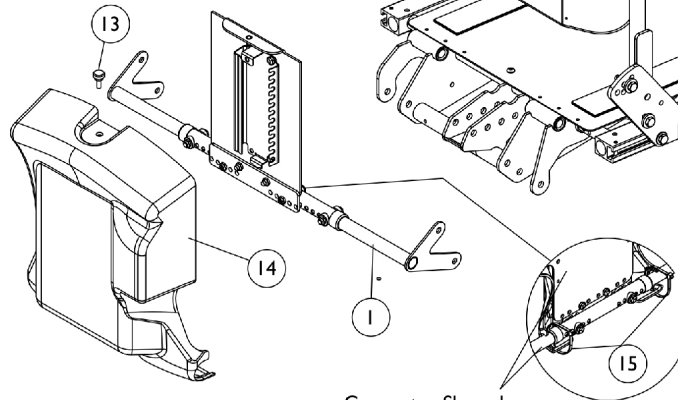
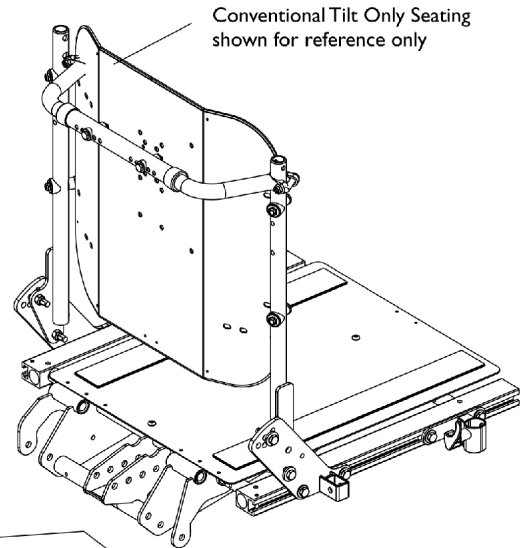
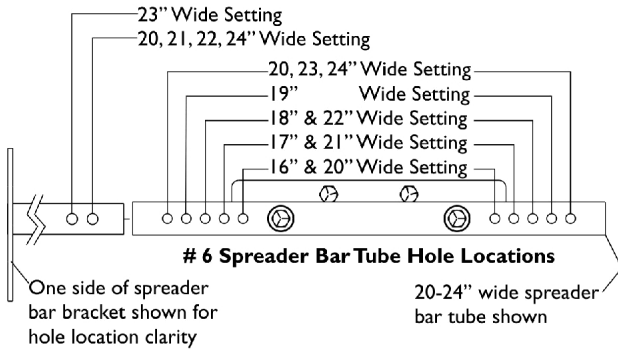


Shroud Cover After 2/28/07, MK6i Connector Formula Conventional Tilt, Tilt w/ BPO Option or Tilt-Elevate



Shroud Cover After 2/28/07, MK6i Connector

Formula Conventional Tilt, Tilt w/ BPO Option or Tilt-Elevate

Item Number	Note	Part Number	Description	Quantity Per	
				Package	Assembly
1	A,C	1148231-NLA	NLA - Kit, MK6i Connector Shroud Mtg. Hdwr. 16-20" Wide For Conventional Tilt Only	1	1
2			Bracket, Spreader Bar, Black - Right	1	1
2			Bracket, Spreader Bar, Black - Left	1	1
3			Screw, Hex Head (1/4-20 x 1-1/2")	1	2
4			Spacer, Coved (1/4 x 11/16 x 1/2")	1	4
6			Tube, Spreader Bar, Black (16 - 20" W)	1	1
7			Collar, Anti-Rattle (7/8")	1	2
8			Screw, Hex Head (1/4-20 x 5/8")	1	4
9			Locknut (1/4-20)	1	6
10			Plate, Mounting	1	1
11			Tray, MK6i Connector Shroud Mounting	1	1
12			Bracket, MK6i Connector, Black	1	1
1	B,C	1148232-NLA	NLA - Kit, MK6i Connector Shroud Mtg. Hdwr. 20-24" Wide For Conventional Tilt Only	1	1
2			Bracket, Spreader Bar, Black - Right	1	1
2			Bracket, Spreader Bar, Black - Left	1	1
3			Screw, Hex Head (1/4-20 x 1-1/2")	1	4
4			Spacer, Coved (1/4 x 11/16 x 1/2")	1	8
5			Locknut (1/4-20)	1	2
6			Tube, Spreader Bar, Black (20 - 24" W)	1	1
7			Collar, Anti-Rattle (7/8")	1	2
8			Screw, Hex Head (1/4-20 x 5/8")	1	4
9			Locknut (1/4-20)	1	6
10			Plate, Mounting	1	1
11			Tray, MK6i Connector Shroud Mounting	1	1
12			Bracket, MK6i Connector, Black	1	1
12	C	1154125	Kit, MK6i Connector Bracket and Threaded Insert	1	1
13		1117240	Screw, Thumb (#10-32 x 1/2")	1	1
14		1148151-NLA	NLA - Shroud, MK6i Connector	1	1
15		1095502-NLA	NLA - Package, Tie Wrap (11-1/2" L)	10	1

NOTE: A - Includes items 2-4 and 6-12
B - Includes items 2-12
C - Item 12 MK6i Connector Bracket was revised 4/28/08 and is backward compatible. When a new MK6i Connector Bracket is requested, order service part # 1154125.