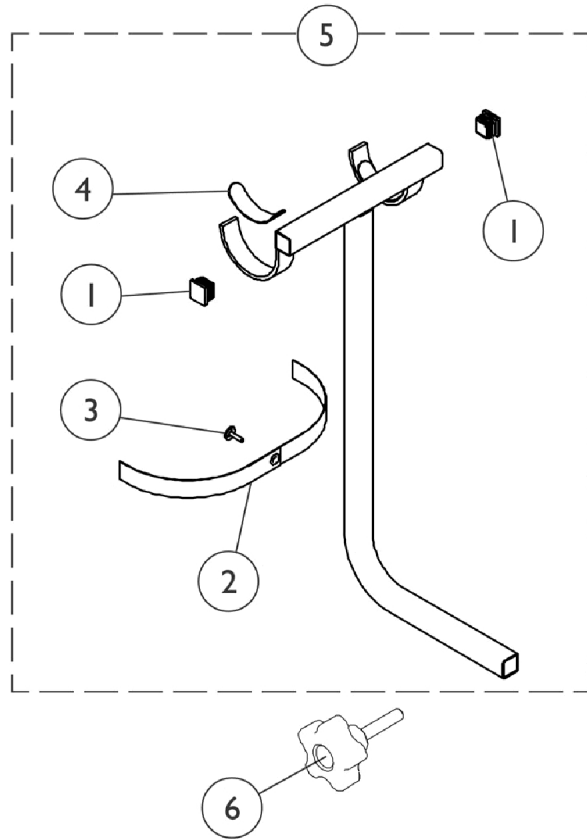


# Walker Holder

Van Seat only after April XX/08



# Walker Holder

## Van Seat only after April XX/08

Item Number	Note	Part Number	Description	Quantity Per	
				Package	Assembly
1		1055662	Plug Button, Square, Black (1-1/8")	1	2
2		1032222	Strap, Black	1	1
3		1076284	Screw w/ Washer (#10 x 7/8")	1	1
4		1072003-NLA	NLA - Pad, Non-Skid Adhesive Back	1	2
5	A	P770	Walker Holder Assembly	1	1
6		1114911-NLA	NLA - Knob, Adjustment, Black (5/16-18 x 1-1/2")	1	1
	B	2000454-NLA	NLA - Bag, Poly (39" L x 33" W)	1	1
	B,C	1098305-NLA	NLA - Instruction Sheet, Walker Holder	1	1
	B	1061434-NLA	NLA - Carton	1	1

NOTE: A - Adjustment Knob (item 6) comes standard on-chair for all models.  
 B - Not Shown.  
 C - Item is no longer available from the Invacare Service Parts Department. Refer to the Invacare Website under "Product Literature Search". Enter the part number in the "Keywords" field and download a free PDF version copy.