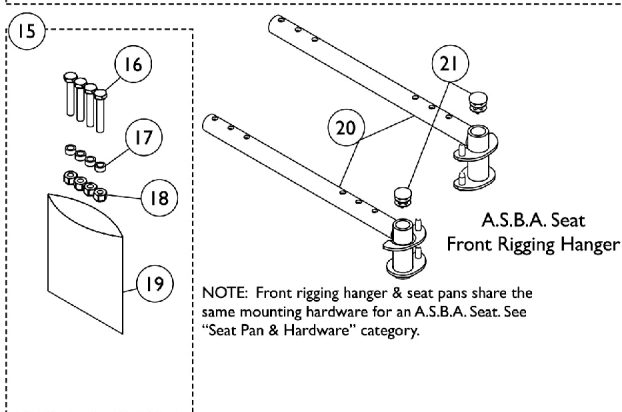
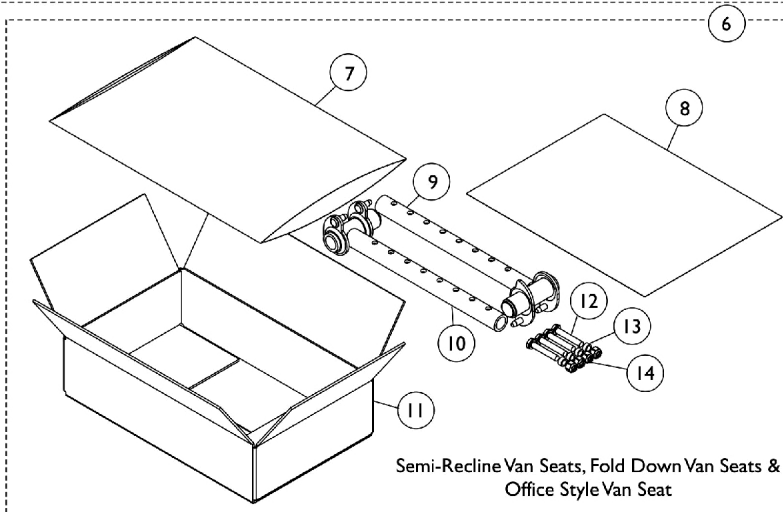
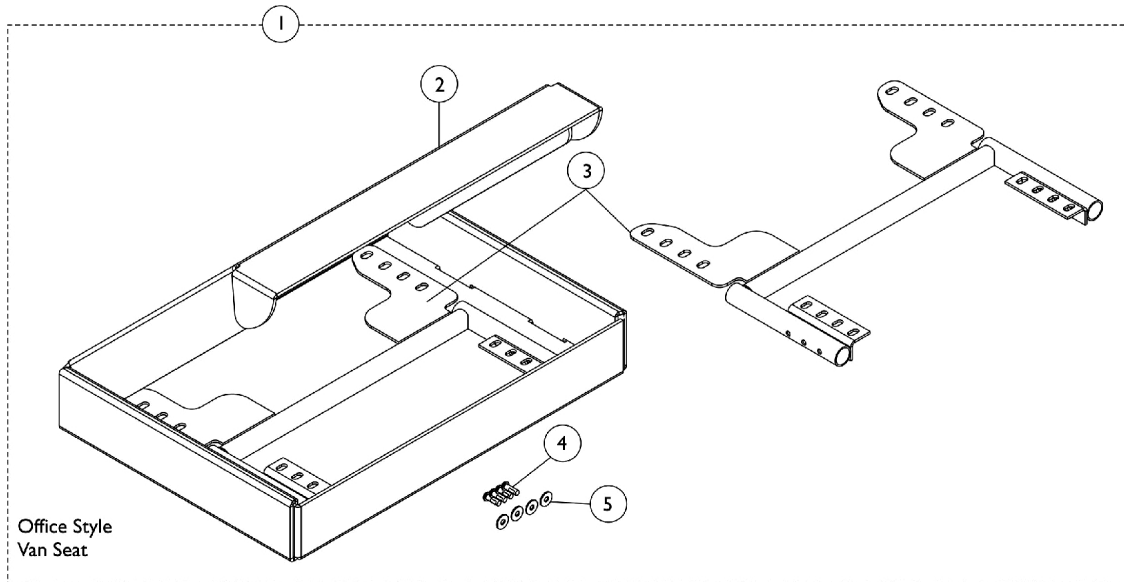


Front Riggings Hangers Hemi



Front Riggings Hangers Hemi

Item Number	Note	Part Number	Description	Quantity Per	
				Package	Assembly
1	A	1149192	Kit, Front Rigging Seat Support, 18"	1	1
2			NLA - Carton, Inner	1	1
3			Bracket, Rigging Hanger Support, Front, Black	1	2
4			Screw, Socket Button Head w/ Patch (1/4-20 x 3/4")	1	4
5			Washer (1/4 x 23/32 x 1/16")	1	4
1	F	1148879	Kit, Front Rigging Seat Support, 20"	1	1
3			Bracket, Front Rigging Hanger, Black (20")	1	2
4			Screw, Socket Button Head w/ Patch (1/4-20 x 3/4")	1	4
5			Washer (1/4 x 23/32 x 1/16")	1	4
6	B,D,H	1114997	Kit, Front Rigging Hanger Attachment	1	1
7			NLA - Bag, Poly Zip-Lip (13" L x 9" W)	1	1
8			NLA - Instruction Sheet, Front Rigging Hanger	1	1
9			Front Rigging Hanger Assembly w/ Plug Button, Hemi, Black - Right	1	1
10			Front Rigging Hanger Assembly w/ Plug Button, Hemi, Black - Left	1	1
11			Carton, Shipper	1	1
12			Screw, Hex Head (1/4-20 x 1-1/2")	1	4
13			NLA - Spacer (1/4 x 3/8 x 3/16")	1	4
14			Locknut (1/4-20)	1	4
15	C,G	1113045	Kit, Front Rigging Hanger Hardware	1	1
16			Screw, Hex Head (1/4-20 x 1-1/2")	1	4
17			NLA - Spacer (1/4 x 3/8 x 3/16")	1	4
18			Locknut (1/4-20)	1	4
19			NLA - Bag, Zip-Lip (4" L x 4" W)	1	1
20	E,G	1114766	Front Rigging Hanger Assembly w/ Plug Button, Pin Style, Hemi, Black - Right (12 - 21" D)	1	1
20	E,G	1114767	Front Rigging Hanger Assembly w/ Plug Button, Pin Style, Hemi, Black - Left (12 - 21" D)	1	1
21	G	1027097	Plug Button, Black (3/4")	1	1

NOTE: A - For Office Style Seats 18". Includes items 2-5.
 B - For Office Style Van Seats, Fold Down Style & Semi-Recline Van Seats. Includes items 7-14.
 C - Includes items 16-19.
 D - Items 5-7 and 15-17 can be ordered separately. Order item 15, part no. 1113045.
 E - For ASBA Seats. Includes plug button item 21.
 F - Includes Items 3-5. For Office Style Seats 20" Wide.
 G - For M51 Chairs manufactured before 4/30/08 with Center Post Mounting and all M61 ASBA seats.
 H - Part number 1110523 is no longer available from the Invacare Service Parts Department. Refer to the Invacare Website under "Product Literature Search". Enter the part number in the "Keywords" field and download a free PDF version copy.