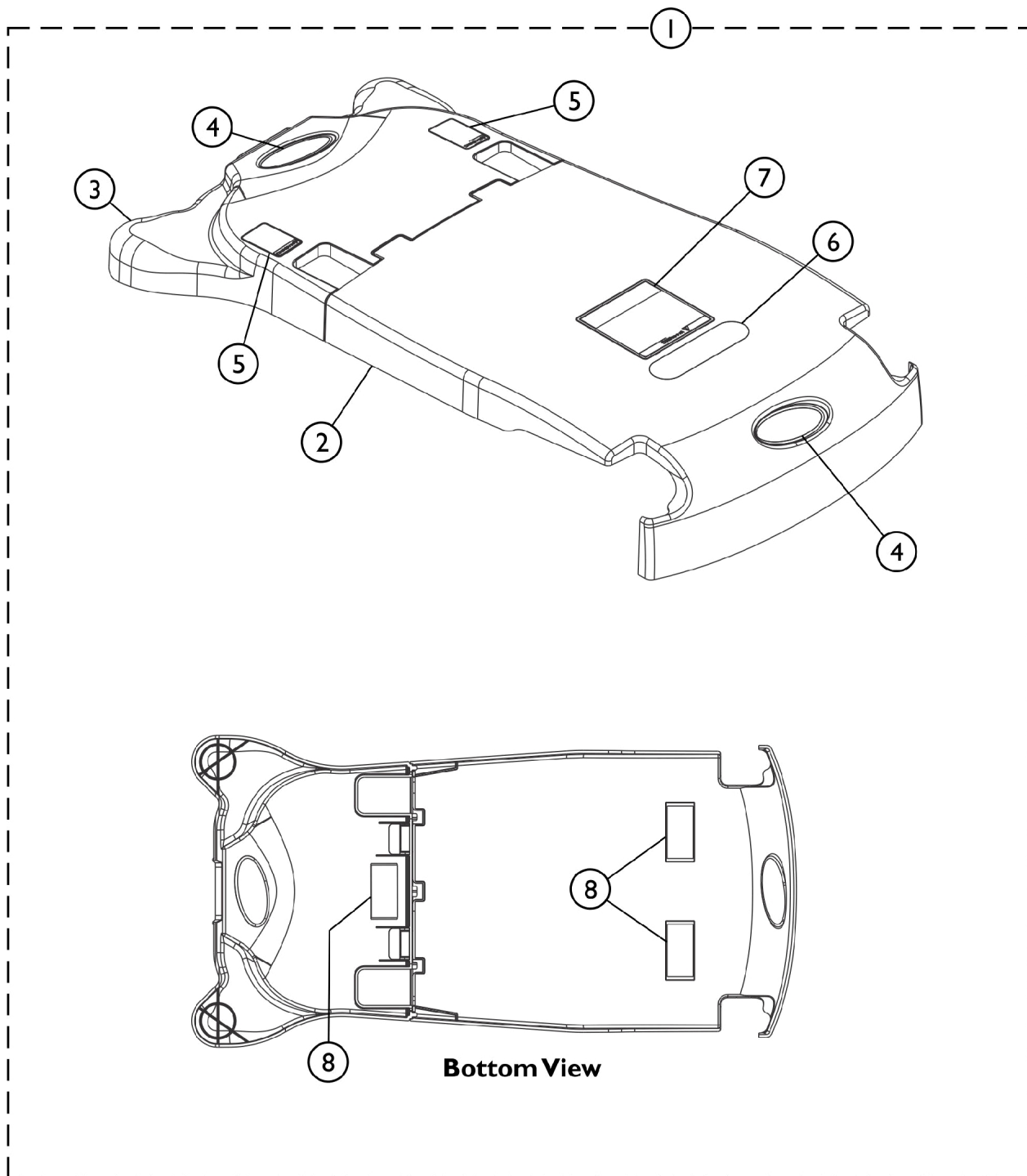


Top Shroud Assembly

M51 with Formula CG Tilt (CGT) & M51 Rehab After 4/29/08



Bottom View

Top Shroud Assembly

M51 with Formula CG Tilt (CGT) & M51 Rehab After 4/29/08

Item Number	Note	Part Number	Description	Quantity Per	
				Package	Assembly
1	A	1146165	Kit, Shroud Assembly, Top Front and Rear w/ Decals	1	1
2			Shroud, Top Front	1	1
3			Shroud, Top Rear	1	1
4			Decal, Invacare 3-D Logo (2-1/2" L)	1	2
5			Decal, Warning Pinch Point	1	2
6			Decal, Transportation	1	1
7			NLA - Label, Battery Warning	1	1
8			NLA - Fastener, Loop with Adhesive Back (1" W x 2" L)	1	3
4		1095489	Decal, Invacare 3-D Logo (2-1/2" L)	1	2
5		1079203	Decal, Warning Pinch Point	1	2
6		1035900	Decal, Transportation	1	1
7		1122126-NLA	NLA - Label, Battery Warning	1	1

NOTE: A - Includes items 2-8. Top Front and Rear Shrouds are No Longer sold separately.