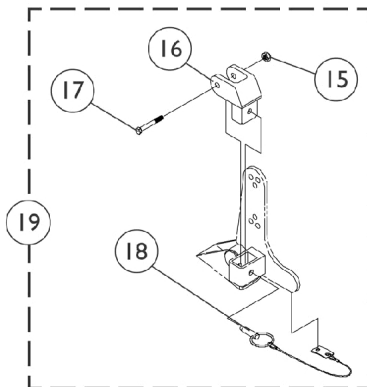
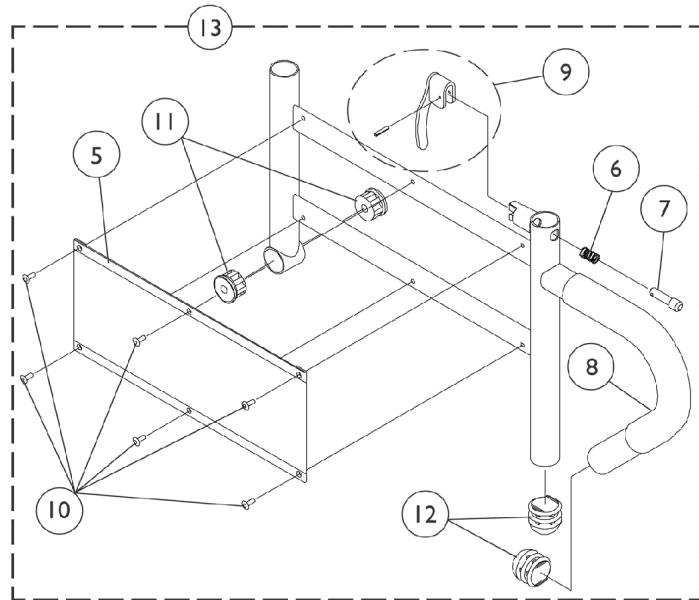
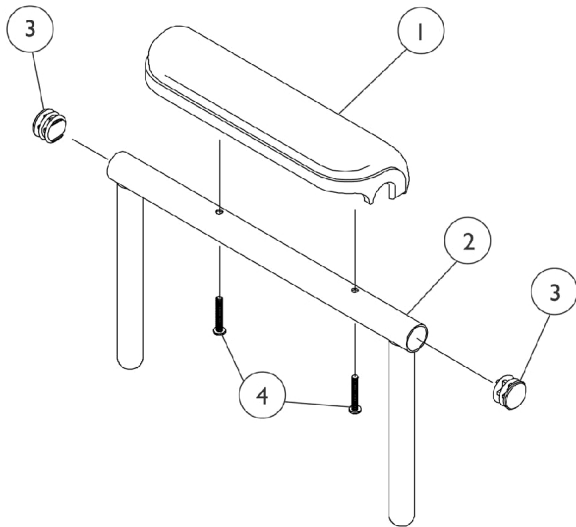
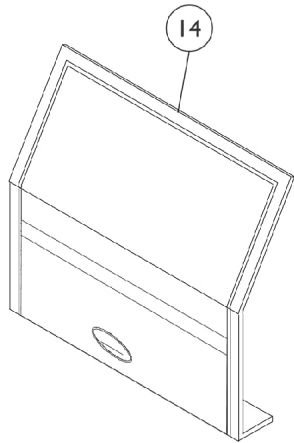


# Arms - ASBA & AdjASBA Seat Adjustable Height



## Arms - ASBA & AdjASBA Seat Adjustable Height

| Item Number | Note | Part Number | Description  | Quantity Per |          |
|-------------|------|-------------|--|--------------|----------|
|             |      |             |  | Package      | Assembly |
| 1           | A    | 1117328     | Kit, Arm Pad w/ Screws, Full Length, Urethane Waterfall, Black (13" L x 2-5/8" W)        | 1            | 1        |
| 1           |      | 1110818     | Kit, Arm Pad w/ Screws, Full Length, Urethane Waterfall, Black (13" L x 2-5/8" W) (Pair) | 2            | 1        |
| 1           | A    | 1117327     | Kit, Arm Pad w/ Screws, Desk Length, Urethane Waterfall, Black (9" L x 2-5/8" W)         | 1            | 1        |
| 1           |      | 1110817     | Kit, Arm Pad w/ Screws, Desk Length, Urethane Waterfall, Black (9" L x 2-5/8" W) (Pair)  | 2            | 1        |
| 2           |      | 1071253     | Arm Tube Assembly w/ Plug Buttons, Full Length, Black - Right/Left                       | 1            | 1        |
| 2           |      | 1070859     | Arm Tube Assembly w/ Plug Buttons, Desk Length, Black - Right/Left                       | 1            | 1        |
| 3           |      | 1027095     | Plug Button, Black (7/8")  | 1            | 2        |
| 4           |      | 1055949     | Package, Screw, Phillips Pan Head (#10-32 x 1-3/8")                                      | 2            | 1        |
| 4           |      | 1094270-NLA | NLA - Package, Screw, Phillips Pan Head (#10-32 x 1-1/4")                                | 2            | 1        |
| 5           |      | 1064130-NLA | NLA - Guard, Clothing  | 1            | 1        |
| 6           |      | 47471X074   | Spring, Arm Lock   | 1            | 1        |
| 7           |      | 1028594     | Pin, Arm Lock, Black   | 1            | 1        |
| 8           |      | 1032244     | Grip, Foam Hand (9" L)   | 1            | 1        |
| 9           |      | 1090768     | Kit, Lock Handle w/Rivets (Pair)   | 2            | 1        |
| 10          |      | 1028645     | Rivet  | 1            | 6        |
| 11          |      | 1065936     | Plug, Pivot  | 1            | 2        |
| 12          |      | 1067734     | Plug Button, Black (5/8")  | 1            | 2        |
| 13          |      | 1068416     | Arm Base Assembly, Black - Right (16-19" D)  | 1            | 1        |
| 13          |      | 1068417     | Arm Base Assembly, Black - Left (16-19" D)   | 1            | 1        |
| 13          |      | 1068418     | Arm Base Assembly, Black - Right (20" and Deeper)  | 1            | 1        |
| 13          |      | 1068419     | Arm Base Assembly, Black - Left (20" and Deeper)   | 1            | 1        |
| 14          |      | 1035065     | Cover, Clothing Guard w/ Pocket, FXDESK & ADJFULL/ADJDESK                                | 1            | 1        |
| 15          |      | 1025195     | Locknut (1/4-20)   | 1            | 1        |
| 16          |      | 1068025     | Clevis, Pivot  | 1            | 1        |
| 17          |      | 1019590     | Screw, Socket Button Head (1/4-20 x 1-5/8")  | 1            | 1        |
| 18          |      | 1068039     | Pin, Pull  | 1            | 1        |
| 19          |      | 1068488     | Kit, Swingaway Armrest Mounting Hardware   | 1            | 1        |

NOTE: A - After 7/9/07 Invacare recommends ordering armpads in pairs to assure uniform appearance on chair