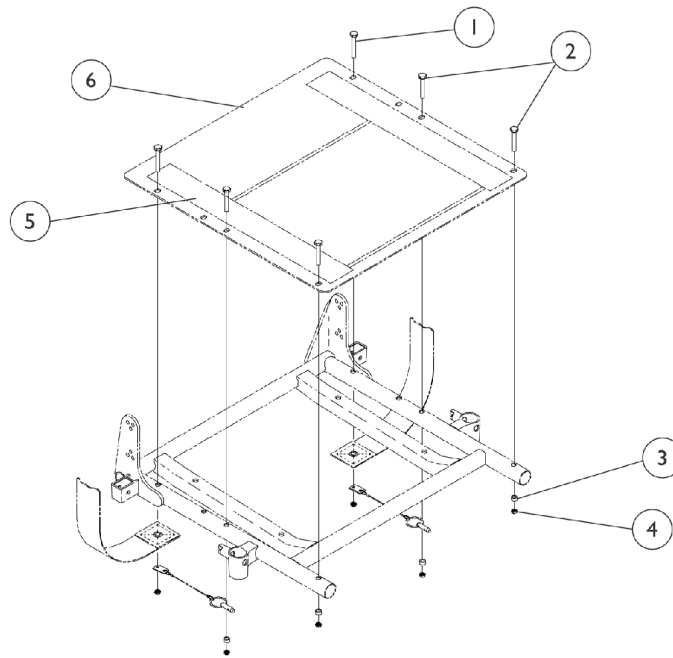


ASBA Seat Pan and Hardware

Center Post Mounted M51 Before 4/28/08 & M61

NOTE: Seat pan and front rigging hanger assembly share the same mounting hardware.



Item Number	Note	Part Number	Description	Quantity Per	
				Package	Assembly
1	A,B	1070459-NLA	NLA - Kit, Seat Pan Mounting Hardware	1	1
			Screw, Hex Head (1/4-20 x 1-5/8")	1	2
			Screw, Hex Head (1/4-20 x 1-1/2")	1	4
			NLA - Spacer (1/4 x 3/8 x 3/16")	1	4
			Locknut (1/4-20)	1	6
		1039949-NLA	NLA - Fastener, Hook Adhesive Back (2" W x 16" L)	1	2
		1044578-NLA	NLA - Fastener, Loop Adhesive Back (2" W x 16" L)	1	2
		See Chart	#6 Seat Pans	1	1

NOTE: A - Not Shown.
B - Includes items 1-4

#6 Seat Pans

Chair Depth	16" Wide	17" Wide	18" Wide	19" Wide	20" Wide
16" Deep	1066013-NLA	1066014-NLA	1066015-NLA	1066016-NLA	1066017-NLA
17" Deep	1066024	1066025-NLA	1066026	1066027-NLA	1066028-NLA
18" Deep	1066035-NLA	1066036-NLA	1066037-NLA	1066038-NLA	1066039-NLA
19" Deep	1066046-NLA	1066047-NLA	1066048-NLA	1066049-NLA	1066050-NLA
20" Deep	1066057-NLA	1066058-NLA	1066059-NLA	1066060	1066061-NLA