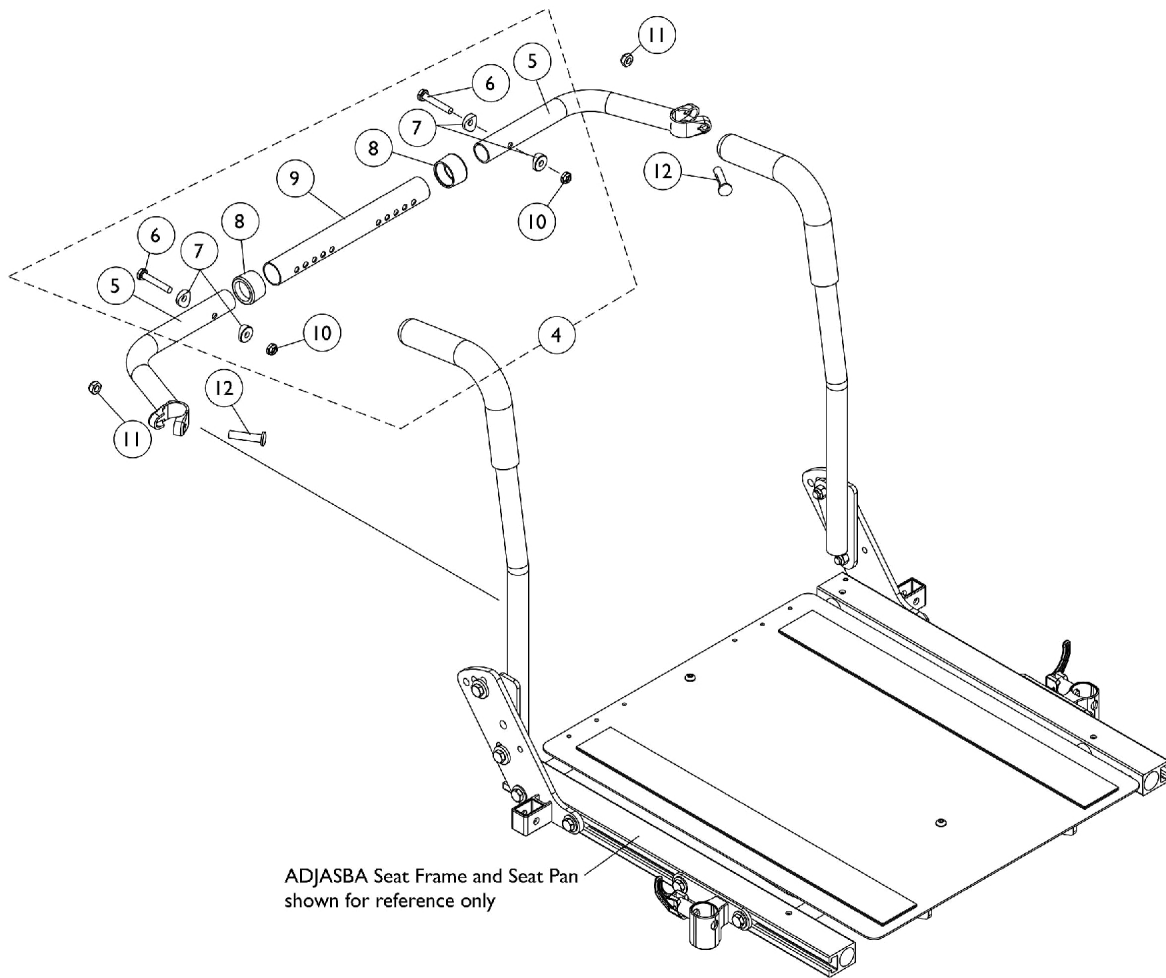
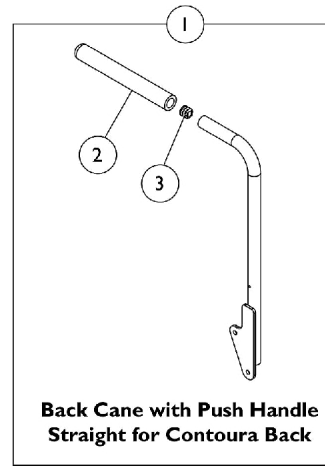
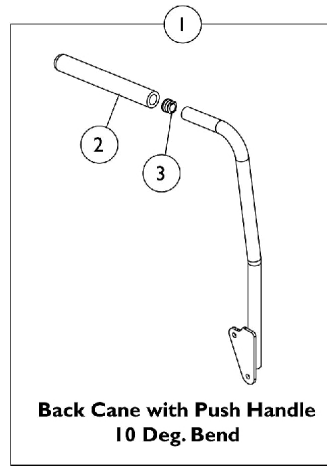


# Back Canes and Spreader Bars

For M51 ADJASBA Seat after 4/29/08



## Back Canes and Spreader Bars For M51 ADJASBA Seat after 4/29/08

Item Number	Note	Part Number	Description	Quantity Per	
				Package	Assembly
1		See Chart	#1 Back Cane Assemblies	1	1
2		1135506	Package, Foam Hand Grip (9" L)	10	1
3		1134426	Package, Plug Button, Black (3/4")	10	1
4	A	1125709	Kit, Spreader Bar Assembly (16"-20" Wide)	1	1
5			NLA - Handle, Spreader Bar, Black	1	2
6			Screw, Hex Head (1/4-20 x 1-1/2")	1	2
7			Spacer, Coved (1/4 x 11/16 x 1/2")	1	4
8			Anti-Rattle (1")	1	2
9			Tube, Spreader Bar, Adjustable, Black (16 - 20" W)	1	1
10			Locknut (1/4-20)	1	2
4	A	1125710	Kit, Spreader Bar Assembly 20"-24" Wide	1	1
5			NLA - Handle, Spreader Bar, Black	1	2
6			Screw, Hex Head (1/4-20 x 1-1/2")	1	2
7			Spacer, Coved (1/4 x 11/16 x 1/2")	1	4
8			Anti-Rattle (1")	1	2
9			Tube, Spreader Bar, Adjustable, Black (20 - 24" W)	1	1
10			Locknut (1/4-20)	1	2
11		1025730	Locknut (5/16-24)	1	2
12		1031026	Screw w/ Lug (5/16-24 x 1-3/8")	1	2

NOTE: A - Includes items 5-10

### #1 Back Cane Assemblies

**Back Cane Assemblies include Foam Grips and Plug Buttons where shown**

Back Height	Back Cane - Push Handle 10 Deg. Bend Right	Back Cane - Push Handle 10 Deg. Bend Left	Back Cane - Push Handle Straight for Contoura Right	Back Cane - Push Handle Straight for Contoura Left
16"	1133822	1133823	N/A	N/A
17"	1133824	1133825	N/A	N/A
18"	1133826	1133827	1143334 See Note(s) A	1143335 See Note(s) A
19"	1133828	1133829	N/A	N/A
20"	1133830	1133831	N/A	N/A

NOTE: A - Wheelchairs manufactured before 5/15/09 with a Contoura Back 25" or 29" high and wheelchairs manufactured after 5/14/09 with a Curve Contoura Back 22" high will use the 18" high Straight Back Cane w/ Push Handle.