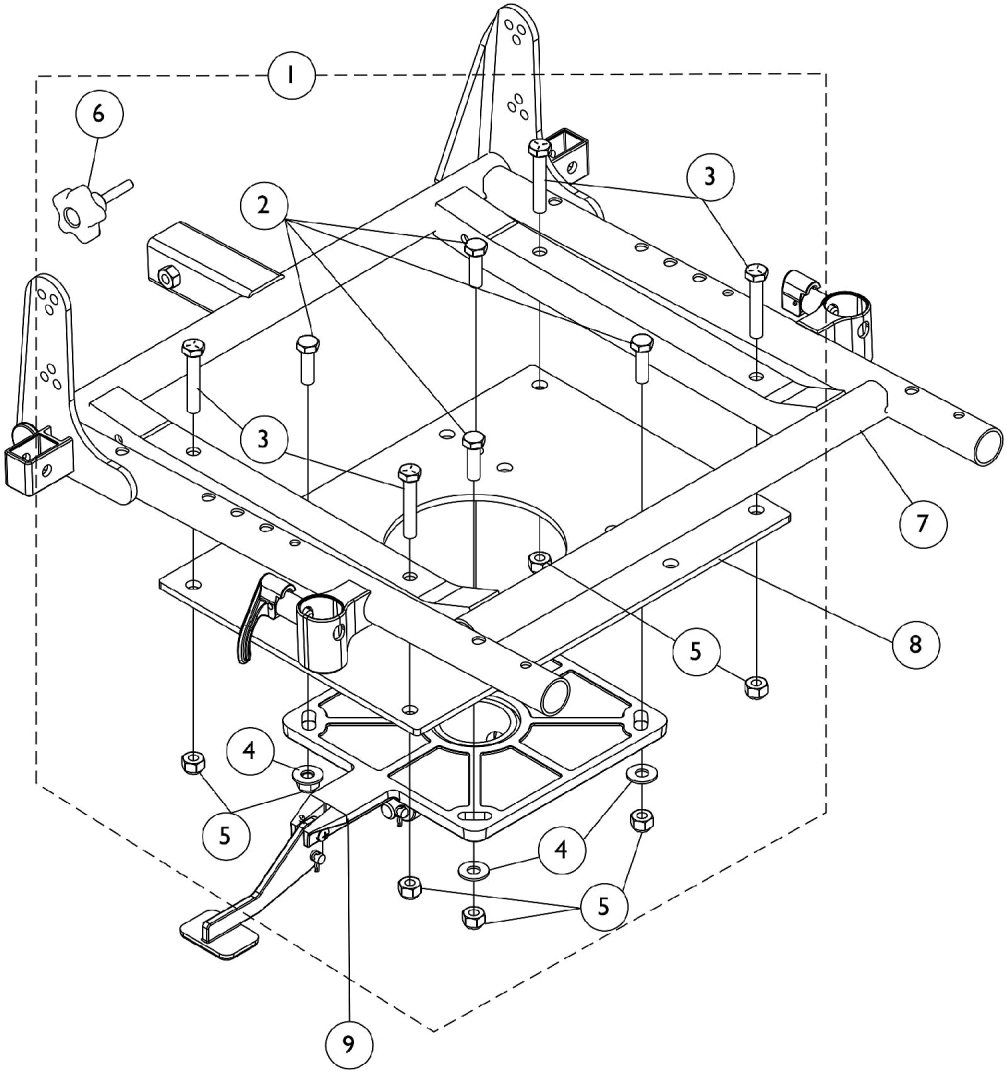


# ASBA Seat Frame and Mounting Hardware

M50/M51 Center Post Attachment before 4/29/08



## ASBA Seat Frame and Mounting Hardware M50/M51 Center Post Attachment before 4/29/08

Item Number	Note	Part Number	Description	Quantity Per	
				Package	Assembly
1	A	1134543	Kit, Seat Frame Hardware	1	1
2			Screw, Hex Head (5/16-18 x 1")	1	4
3			NLA - Screw, Hex Head (5/16-18 x 1-3/4")	1	4
4			Washer, Steel (5/16 x 3/4 x 1/16")	1	4
5			Locknut (5/16-18)	1	8
6			NLA - Knob, Adjustment, Black (5/16-18 x 1-1/2")	1	1
7		See Chart	#7 Seat Frame, ASBA	1	1
8		1134542	Plate, Seat Frame	1	1
9		1116413-NLA	NLA - Pivot, Seat	1	1

NOTE: A - Includes items 2-6

### #7 Seat Frame, ASBA

Chair Depth	16" Wide	17" Wide	18" Wide	19" Wide	20" Wide
16-17" Deep	1132433-NLA	1132434-NLA	1132435-NLA	1132436-NLA	1132437-NLA
18-19" Deep	1132442-NLA	1132443-NLA	1132444-NLA	1132445-NLA	1132446-NLA
20" Deep	1132451-NLA	1132452-NLA	1132453-NLA	1132454-NLA	1132455-NLA