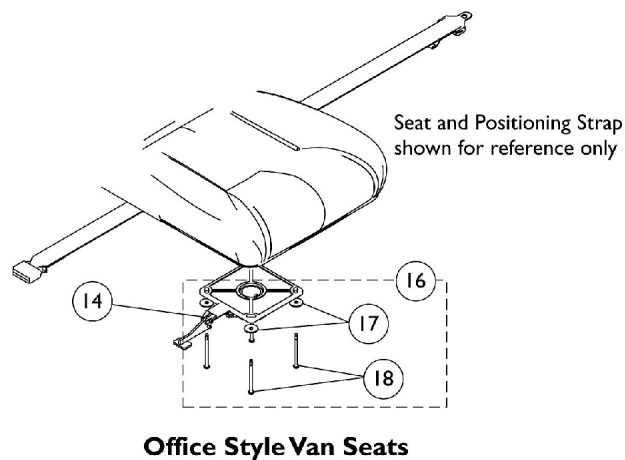
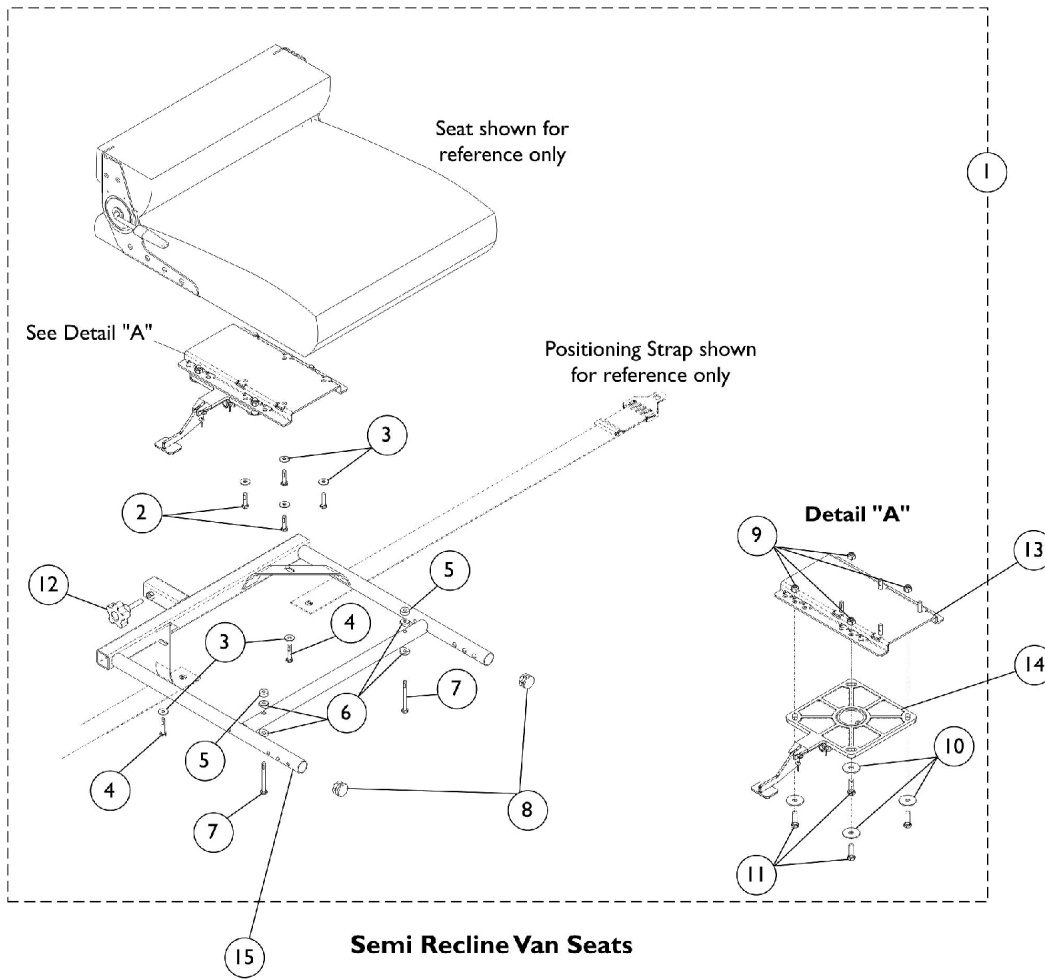


Van Seat Models M50/M5/M61 & Solid Base Van Seats Before 4/28/08 with Center Post attachment

If converting a wheelchair from Office Style Semi-Recline Van Seat to Semi-Recline Van Seat w/ Cushion or Semi-Recline Van Seat w/ Solid Seat Base items 1, 13, and 15 must be ordered in addition to the seat.



Van Seat Models M50/M5/M61 & Solid Base Van Seats Before 4/28/08 with Center Post attachment

If converting a wheelchair from Office Style Semi-Recline Van Seat to Semi-Recline Van Seat w/ Cushion or Semi-Recline Van Seat w/ Solid Seat Base items 1, 13, and 15 must be ordered in addition to the seat.

Item Number	Note	Part Number	Description	Quantity Per	
				Package	Assembly
1	A,B	1119577	Kit, Van Seat Mounting Hardware	1	1
2			NLA - Screw, Hex Head Cap w/ Patch (1/4-20 x 1")	1	4
3			Washer (1/4 x 23/32 x 1/16")	1	6
4			NLA - Screw, Hex Head w/ Patch (1/4-20 x 1-1/4")	1	2
5			Spacer (1/4 x 5/8 x 1/4")	1	2
6			Spacer, Coved (1/4 x 11/16 x 1/2")	1	4
7			NLA - Screw, Hex Head w/Patch (1/4-20 x 2-1/2")	1	2
8			Plug Button, Black (1")	1	2
9			Locknut (5/16-18)	1	4
10			Washer, Steel (5/16 x 1-1/4 x 1/16")	1	4
11			Screw, Hex Head w/ Patch (5/16-18 x 1")	1	4
12			NLA - Knob, Adjustment, Black (5/16-18 x 1-1/2")	1	1
10		1092409	Washer, Steel (5/16 x 1-1/4 x 1/16")	1	4
11		1104258	Screw, Hex Head w/ Patch (5/16-18 x 1")	1	4
13	C	1116919	Bracket, Seat Mounting, Black	1	1
13	D	1129722	Bracket, Seat Mounting, Black	1	1
14		1116413-NLA	NLA - Pivot, Seat	1	1
15		1123391	Frame, Van Seat, Black (16" W)	1	1
15		1116392	Frame, Van Seat, Black (18" W)	1	1
15		1116393	Frame, Van Seat, Black (20" W)	1	1
16	E	1136494	Kit, Van Seat Mounting Hardware - Office Style	1	1
17			Washer, Steel (5/16 x 1-1/4 x 1/16")	1	4
18			NLA - Screw, Hex Head w/ Patch (1/4-20 x 1-1/2")	1	4

NOTE: A - Item 8, Plug Buttons, are only used in the absence of front riggings.
 B - Includes items 2-12
 C - Van Seats without Solid Seat Base
 D - Van Seats with Solid Seat Base
 E - Includes items 17-18