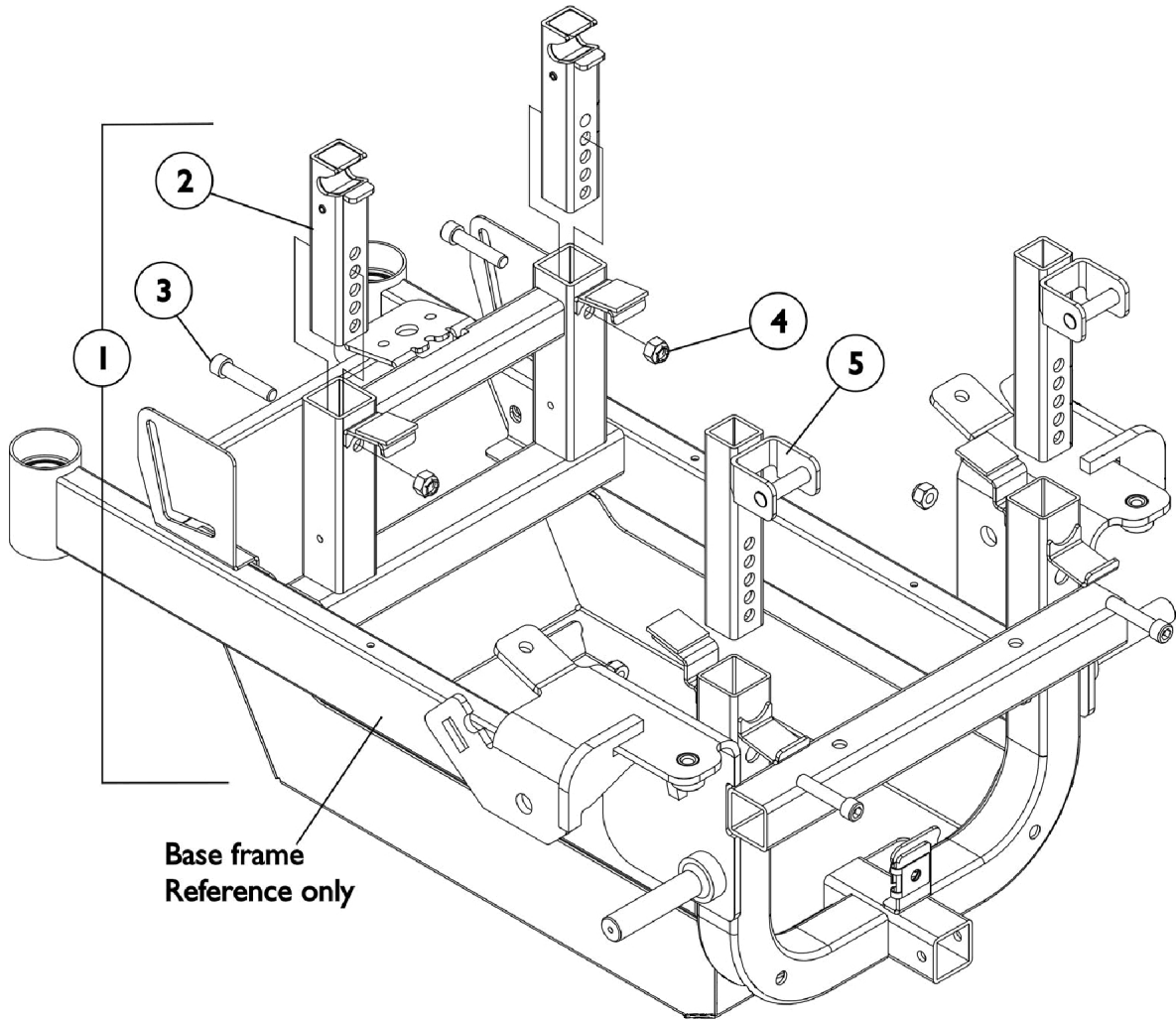


# Seat Height Adjustment Slide Tubes

M51 PR After 4/29/08



## Seat Height Adjustment Slide Tubes M51 PR After 4/29/08

Item Number	Note	Part Number	Description	Quantity Per	
				Package	Assembly
1	A,B	1110707-NLA	NLA - Kit, Seat Height Adjustment Slide Tubes and Hardware	1	1
2			NLA - Slide Tube Assembly, Seat Height Adjustment, Rear	1	2
3			Screw, Socket Head (5/16-18 x 1-1/2")	1	4
4			Locknut (5/16-18)	1	4
5			NLA - Slide Tube Assembly, Seat Height Adjustment, Front	1	2
2		1152529-NLA	NLA - Slide Tube Assembly, Seat Height Adjustment, Rear	1	2
3		1021344	Screw, Socket Head (5/16-18 x 1-1/2")	1	4
4		1026158	Locknut (5/16-18)	1	4
5	B	1109215-NLA	NLA - Slide Tube Assembly, Seat Height Adjustment, Front	1	2
NOTE: A - Includes Items 2-5 B - 300 Lb. capacity					