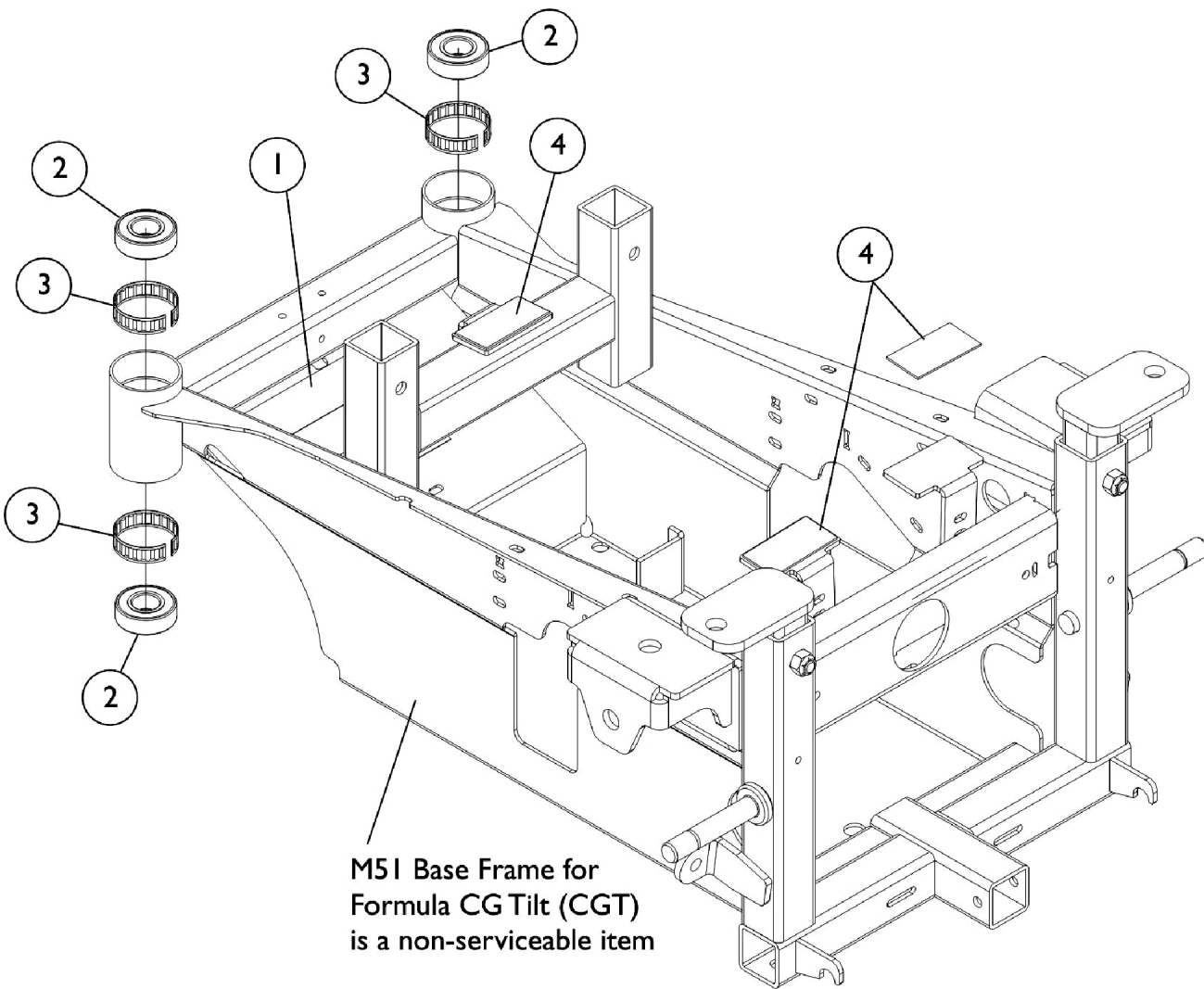


Base Frame, Bearings, & Hardware

M51 w/ Formula CG Tilt (CGT) & M51PR After 4/29/08



M51 Base Frame for
Formula CG Tilt (CGT)
is a non-serviceable item

Base Frame, Bearings, & Hardware

M51 w/ Formula CG Tilt (CGT) & M51PR After 4/29/08

Item Number	Note	Part Number	Description	Quantity Per	
				Package	Assembly
1		1062095-NLA	NLA - Fastener, Loop with Adhesive Back (1" W x 4" L)	1	2
2		40117X006	Bearing (5/8")	1	4
3		1110717	Ring, Tolerance	1	4
4		1142189-NLA	NLA - Fastener, Hook with Adhesive Back (1" W x 2" L)	1	3

NOTE: Base Frame is a non-serviceable part.