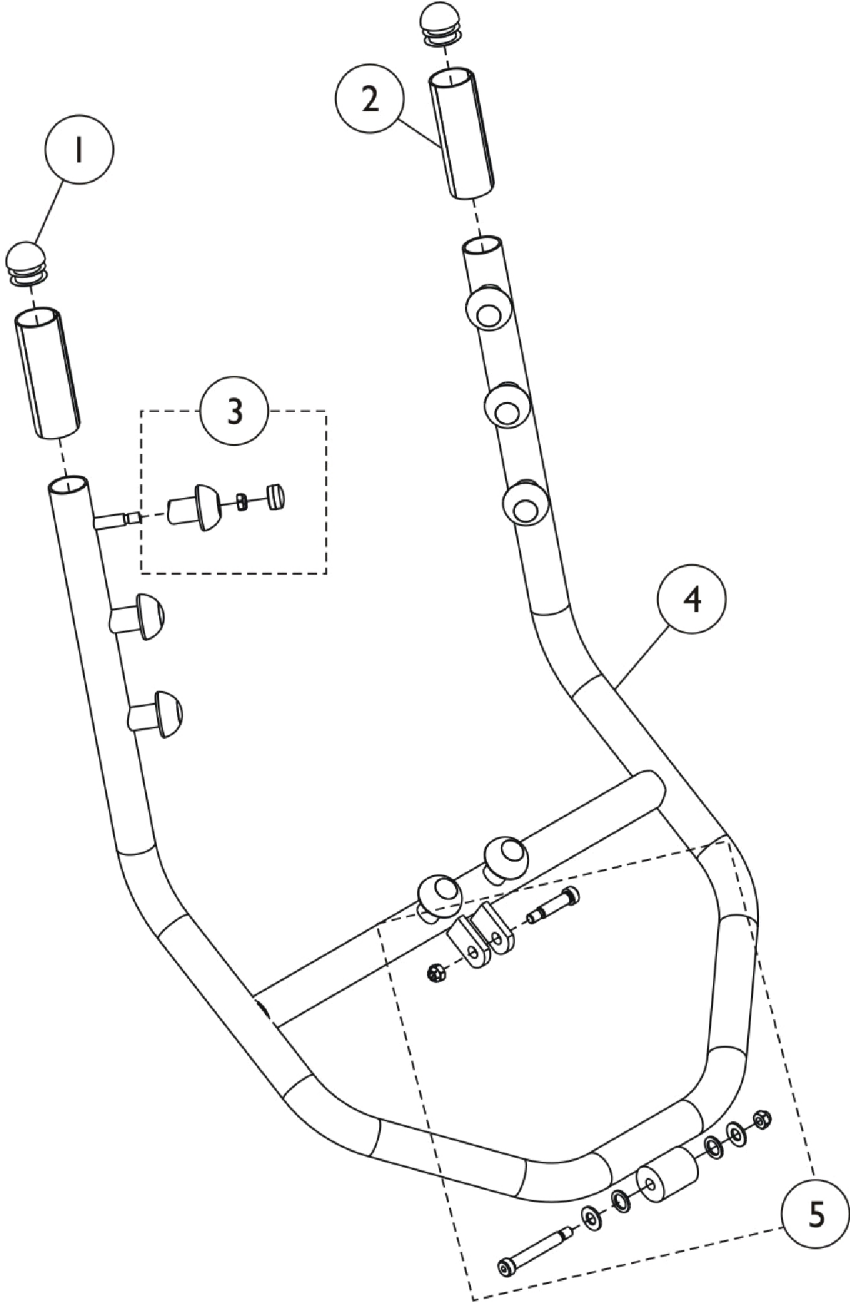


Arm & Horn Assembly - Get-U-Up - GHS350



Arm & Horn Assembly - Get-U-Up - GHS350

Item Number	Note	Part Number	Description	Quantity Per	
				Package	Assembly
1		1071249	Plug Button, Dome, Black (1-1/4")	1	2
2		1076388	Pad, Grip	1	2
3		1152592	Kit, Sling Knobs with Hardware	1	1
			Knob, Hook, Black	1	8
			Cap, Hook	1	8
			Locknut (5/16-18)	1	8
4		1148202	Horn	1	1
5	A	1152594	Kit, Boom Hardware	1	1
			NLA - Screw, Shoulder Hex Socket Head (3/8 x 1-1/4", 5/16-18)	1	1
			NLA - Locknut (5/16-18)	1	3
			Screw, Shoulder Hex Socket Head (3/8" x 2-1/4", 5/16-18)	1	2
			Washer, Nylon (3/4 x 1/2 x 1/16")	1	4
			NLA - Washer (3/8 x 13/16 x 1/16")	1	4
NOTE: A - One Shoulder Screw (3/8 x 2 1/4, 5/16-18) is used to mount the footplate to the base. See category titled, "Base Assembly - Get-U-Up - GHS350".					