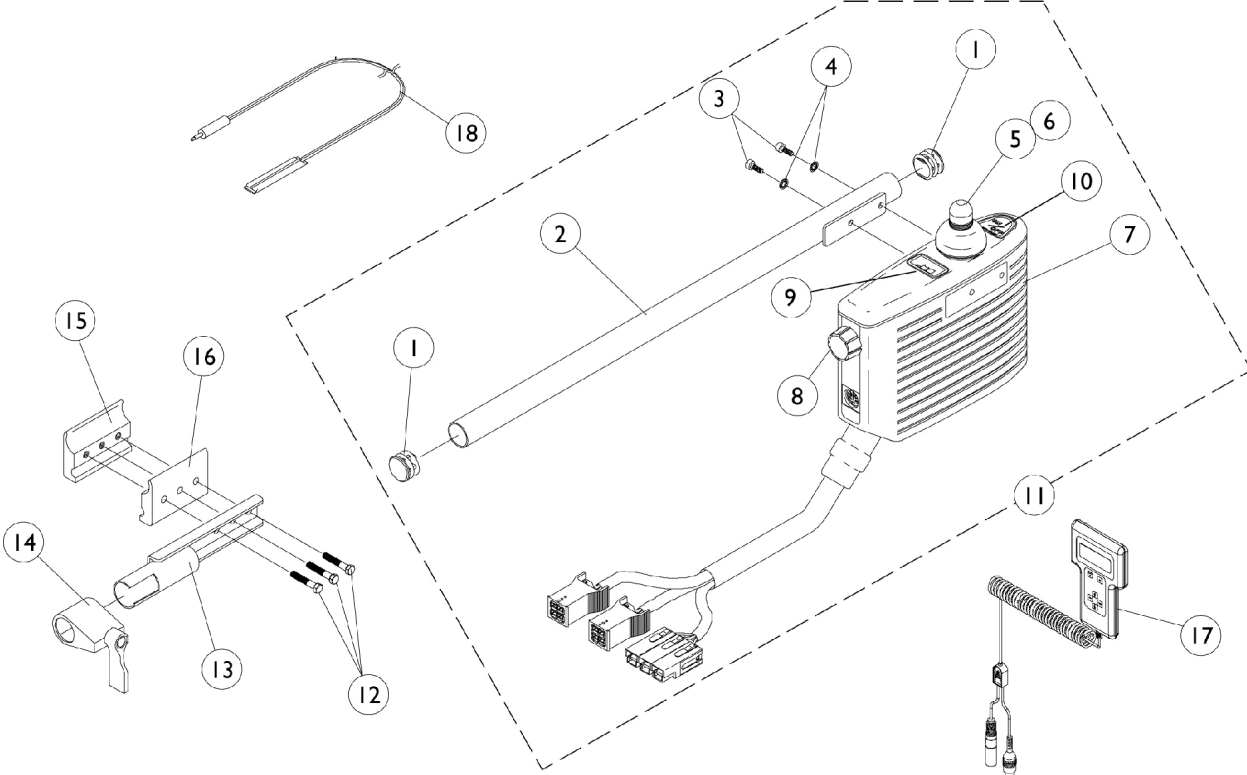


# INT. Controller, Programmer and Attaching Hardware



## INT. Controller, Programmer and Attaching Hardware

Item Number	Note	Part Number	Description	Quantity Per	
				Package	Assembly
1		1027095	Plug Button, Black (7/8")	1	2
2		1056086-NLA	NLA - Tube, Controller Mounting	1	1
3		1056087-NLA	NLA - Screw, Socket Head (#10-32 x 1/2")	1	2
4		1027263-NLA	NLA - Washer, Lock Internal Tooth (#10)	1	2
5		1040217	Knob, Joystick Rubber, Black	1	1
6		1040218	Skirt, Joystick Rubber, Black	1	1
7	A	1055623-NLA	NLA - Controller, MKIV INT.	1	1
8		1056559-NLA	NLA - Knob, Speed Control	1	1
9		GLA35137-NLA	NLA - Decal, Battery	1	1
10		GLA35136-NLA	NLA - Decal, On-Off	1	1
11		1056088-NLA	NLA - Controller with Tube	1	1
12		7930349-NLA	NLA - Screw, Hex Head (1/4-20 x 1-1/8")	25	3
13		1035414-NLA	NLA - Tube, Controller Bracket	1	1
14		1027274	Adjustment Lock Assemnbly, Black	1	1
15		1027267-NLA	NLA - Half Clamp, Threaded Holes	1	1
16		1027266	Half Clamp, Non-Threaded Holes	1	1
17		1109091-NLA	NLA - Programmer, Remote	1	1
18		1020818	Switch, Red Flex Ribbon (Tape) Reset	1	1
18	C	1123276	Kit, Switch, Black Egg Reset w/ Hook/Loop Adhesive Back Fastener & Attaching Screws (EGSBLK)	1	1
	B	1058491-NLA	NLA - Connector Boot, Wire	1	1

NOTE: A - Includes items 5, 6, 8, 9 and 10.  
 B - Not Shown  
 C - Not Shown. After 5/23/04 the Egg Reset Switch became available as a service part and can be used as a direct replacement for the tape reset switch part # 1020818.