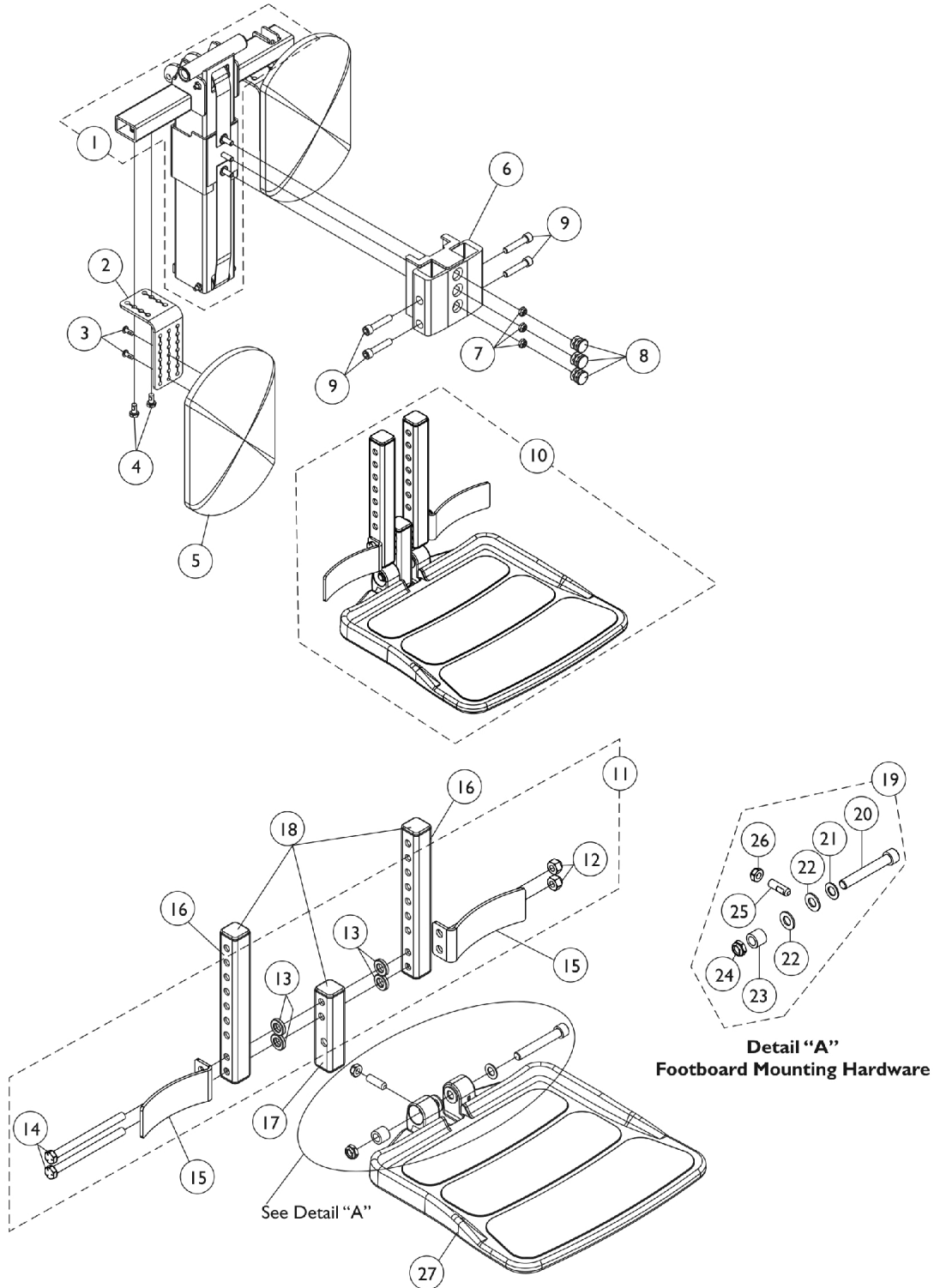


Front Rigging - Power Center Mount Rigging (PCTMT/PCTMT-L with FBCTMT One PC Flip-Up Footboard)

(PCTMT = 10"-13" Range) & (PCTMT-L = 14"-17" Range)



Front Rigging - Power Center Mount Rigging (PCTMT/PCTMT-L with FBCTMT One PC Flip-Up Footboard)

(PCTMT = 10"-13" Range) & (PCTMT-L = 14"-17" Range)

Item Number	Note	Part Number	Description	Quantity Per	
				Package	Assembly
1		1125683-NLA	NLA - Bottom Pulley Center Carriage Assembly	1	1
2		1124754-NLA	NLA - Bracket, Calf Pad Mounting, Black	1	2
3		1134086-NLA	NLA - Screw, Socket Button Head w/ Patch (#10-32 x 1/2")	1	2
4		1078214	Screw, Hex Head w/ Patch (1/4-20 x 1/2")	1	2
5		8881091764	Pad, Legrest, Vinyl - Right/Left	1	2
6		1125628-NLA	NLA - Carriage, Footplate	1	1
7		1025195	Locknut (1/4-20)	1	3
8		1027097	Plug Button, Black (3/4")	1	3
9		1021344	Screw, Socket Head (5/16-18 x 1-1/2")	1	4
10	A	1148722-NLA	NLA - Footboard Assembly, CTMTFB (For CTMT-F 12-1/4 - 15" & PCTMT 10 - 13")	1	1
10	A	1148724-NLA	NLA - Footboard Assembly, Long, CTMTFB (For CTMT-FL 16 - 18-3/4" & PCTMT-L 14 - 17")	1	1
11	B	1144608	NLA - Kit, Heel Stop and Extension Tube Mounting Hardware	1	1
12			Locknut (5/16-18)	1	2
13			NLA - Bushing, Actuator Motor (3/8 x 3/4 x 5/32")	1	4
14			NLA - Screw, Hex Head (5/16-18 x 4")	1	2
15	E	1153789	Bracket, Heel Stop, Black	1	2
16	F	1148711-NLA	NLA - Tube, Extension, Black 104355- Short (For CTMT-F 12-1/4" - 15" Range & PCTMT 10"-13" Range)	1	2
16	F	1148721-NLA	NLA - Tube, Extension - Long (For CTMT-FL 16" - 18-3/4" Range & PCTMT-L 14"-17" Range)	1	2
17	C	1144607-NLA	NLA - Tube, Vertical Support with Caps	1	1
18		1144609	Package, End Cap (1" Square)	10	1
19	D	1147134	Kit, Footboard Mounting Hardware	1	1
20			Screw, Socket Head (3/8-16 x 2-1/2")	1	1
21			Washer, Flat (3/8 x 11/16 x 1/16")	1	1
22			Washer, Nylon (3/8 x 3/4 x 1/16")	1	2
23			Bushing (3/8 x 5/8 x 1/2")	1	1
24			Locknut, Low Profile (3/8-16)	1	1
25			Screw, Set Socket Flat Point (5/16-18 x 1")	1	1
26			Locknut (5/16-18)	1	1
27		1114311	Footboard w/ Cover (11-1/4" W x 11-1/2" L)	1	1

NOTE: A - Includes items 11, 15, 16, 17, 19 and 27
 B - Includes items 12-14
 C - Extension Tubes and Vertical Support Tube includes Tube Caps at both ends
 D - Includes items 20-26
 E - Heel Stop Bracket was revised 2/6/08. It is recommended to order in pairs to match for chairs manufactured before 2/6/08.
 F - End Caps are no longer used or required for the extension tube as of 4/9/08