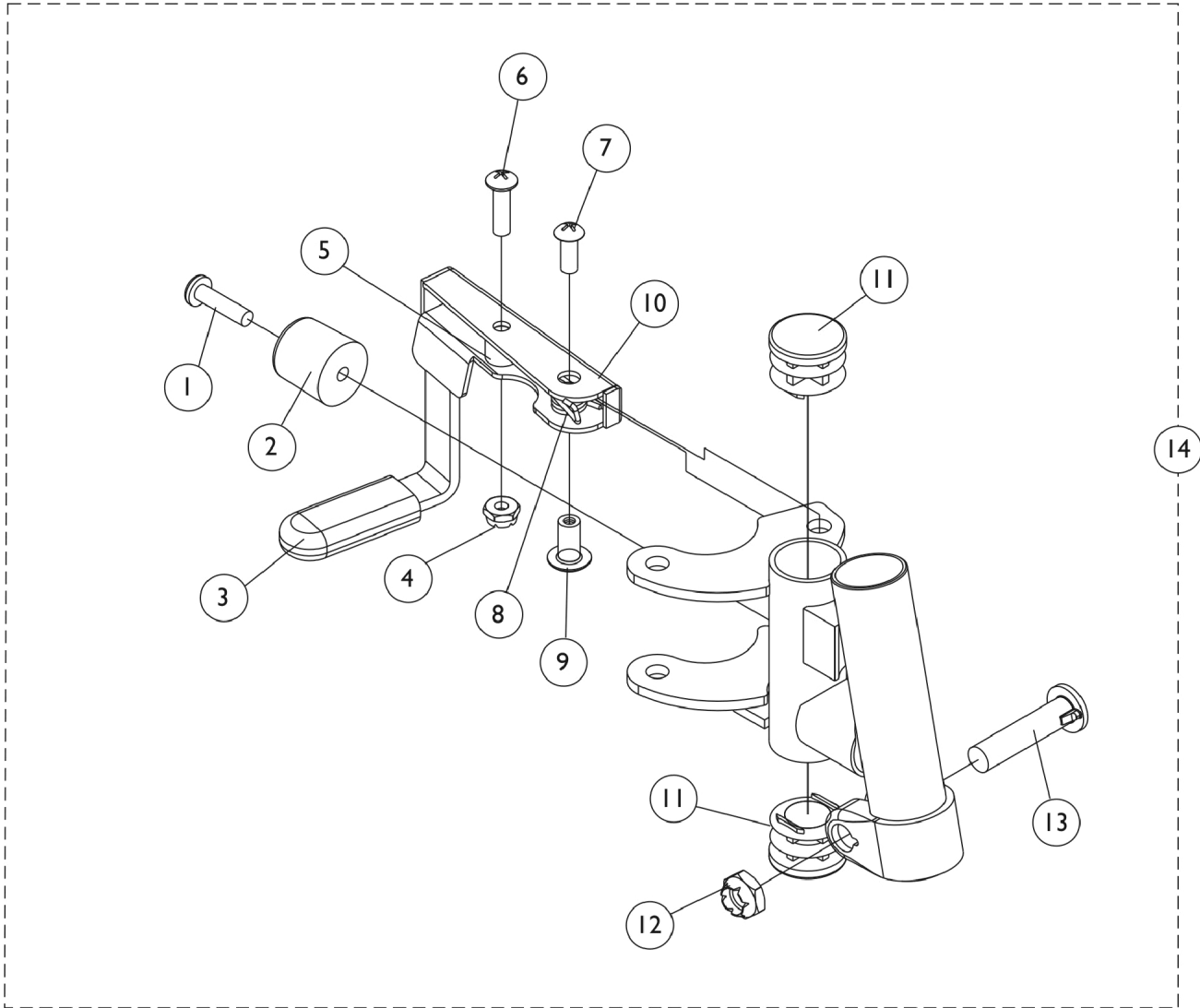


PH93M2 (Hemi) Footrest Supports

Black (Pin Style)



PH93M2 (Hemi) Footrest Supports Black (Pin Style)

Item Number	Note	Part Number	Description	Quantity Per	
				Package	Assembly
1		1030979	Screw, Phillips Pan Head Tap (#10-32 x 3/4")	1	1
2		1022874	Bumper	1	1
3		1006490	Tip, Plastic, Black	1	1
4		60279X003	Locknut (#10-32)	1	1
5		47565X057	Bushing (7/32 x 3/8 x 11/32")	1	1
6		40163X008	Screw, Phillips Pan Head (#10-32 x 11/16")	1	1
7		40163X002	Screw, Phillips Round Head (#10-32 x 1/2")	1	1
8		1008935	Spring, Release - Right	1	1
8		1008936	Spring, Release - Left	1	1
9		67005X000	Rivnut (#10-32)	1	1
10		1114745	Handle, Release, Black - Right	1	1
10		1114746	Handle, Release, Black - Left	1	1
11		1027095	Plug Button, Black (7/8")	1	2
12		60264X001	Locknut (5/16-24)	1	1
13		11232X009	Bolt, Lug (5/16-24 x 1-3/8")	1	1
14	A	1122964-NLA	NLA - Footrest Support Assembly, Hemi, Black - Right	1	1
14	A	1122965-NLA	NLA - Footrest Support Assembly, Hemi, Black - Left	1	1

NOTE: A - Includes items 1-13