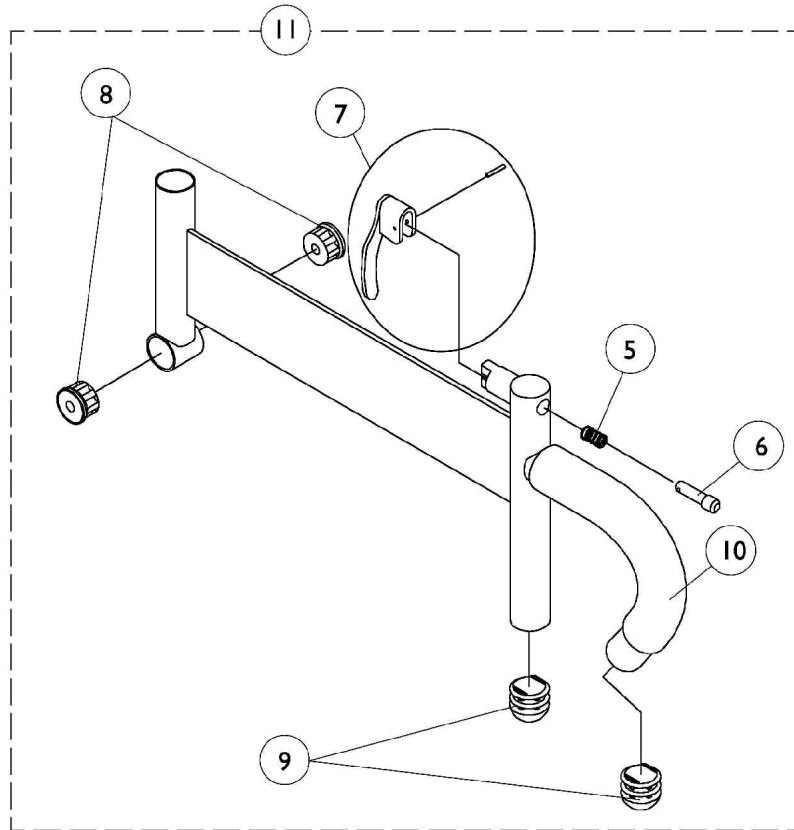
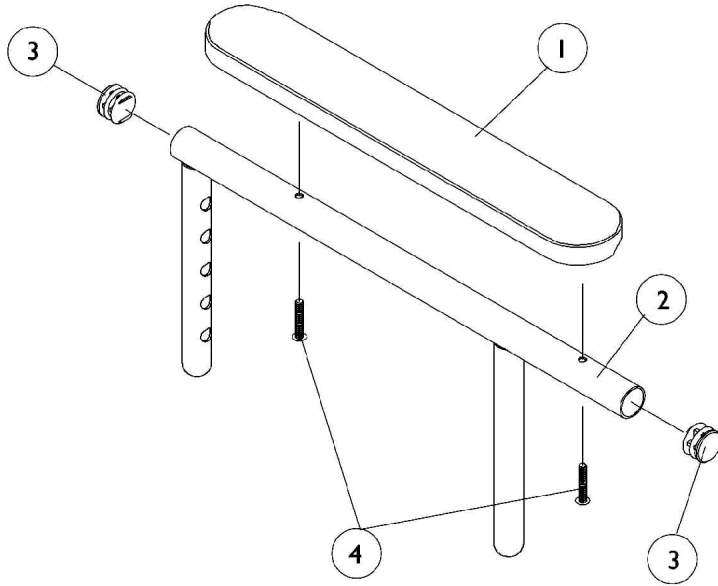


Arms, Adjustable Height (12"-16" W) - TDX SPREE



Arms, Adjustable Height (12"-16" W) - TDX SPREE

| Item Number | Note | Part Number | Description | Quantity Per | |
|-------------|------|--------------------|--|--------------|----------|
| | | | | Package | Assembly |
| 1 | A | 8881015932-NL A | NLA - Pad, Arm, Vinyl, Full Length - Right (14" L x 2" W) | 1 | 1 |
| 1 | A | 8881015933-NL A | NLA - Pad, Arm, Vinyl, Full Length - Left (14" L x 2" W) | 1 | 1 |
| 1 | A | 8881053577 | Kit, Arm Pad w/ Screws, Full Length (14" L x 2" W) (Pair) | 2 | 1 |
| 1 | A | 8881011811-NL A | NLA - Pad, Arm, Vinyl, Desk Length (9" L x 2" W) | 1 | 1 |
| 1 | A | 8881053578 | Kit, Arm Pad w/ Screws, Desk Length (9" L x 2" W) (Pair) | 2 | 1 |
| 2 | | 1071263 | Arm Tube Assembly w/ Plug Buttons, Full Length, Black - Right/Left | 1 | 1 |
| 2 | | 1071259 | Arm Tube Assembly w/ Plug Buttons, Desk Length, Black - Right/Left | 1 | 1 |
| 3 | | 1027095 | Plug Button, Black (7/8") | 1 | 2 |
| 4 | | 1055949 | Package, Screw, Phillips Pan Head (#10-32 x 1-3/8") | 2 | 1 |
| 5 | | 47471X074 | Spring, Arm Lock | 1 | 1 |
| 6 | | 1028594 | Pin, Arm Lock, Black | 1 | 1 |
| 7 | | 1090768 | Kit, Lock Handle w/Rivets (Pair) | 2 | 1 |
| 8 | | 1065936 | Plug, Pivot | 1 | 2 |
| 9 | | 1067734 | Plug Button, Black (5/8") | 1 | 2 |
| 10 | | 1016298 | Grip, Push Handle | 1 | 1 |
| 11 | B | 1068585 | Arm Base Assembly, Adjustable Height, Black - Right | 1 | 1 |
| 11 | B | 1068586 | Arm Base Assembly, Adjustable Height, Black - Left | 1 | 1 |

NOTE: A - Specify U67 Black upholstery color when ordering.
B - Includes items 5-10