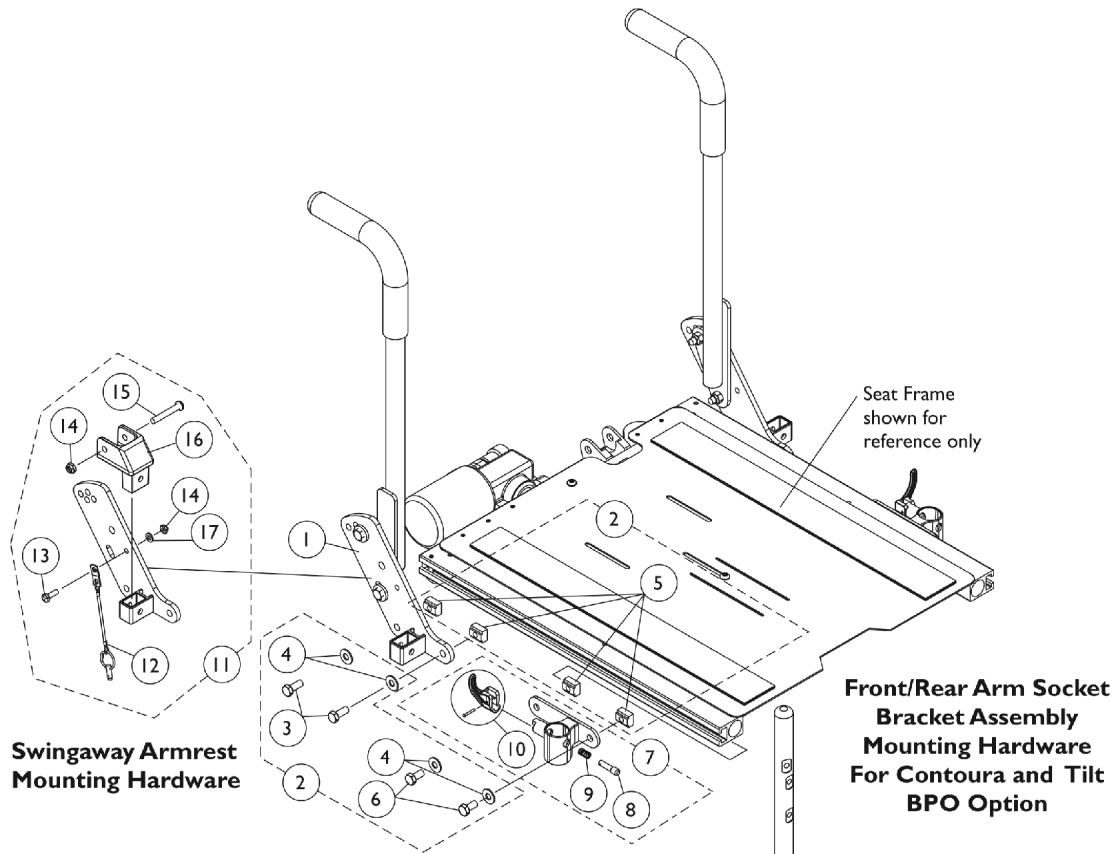
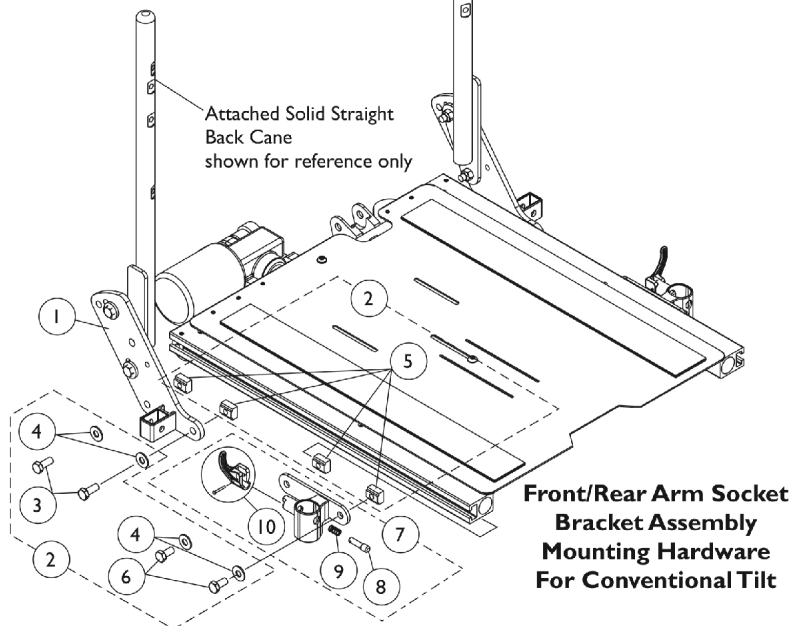


# Front/Rear Arm Socket Assembly and Mounting Hardware (12"-16" W x 16"-18" D) TDX SPREE & (16"-20" W x 16"-20" D) TDX SC



**Swingaway Armrest  
Mounting Hardware**

**Front/Rear Arm Socket  
Bracket Assembly  
Mounting Hardware  
For Contoura and Tilt  
BPO Option**



Attached Solid Straight  
Back Cane  
shown for reference only

**Front/Rear Arm Socket  
Bracket Assembly  
Mounting Hardware  
For Conventional Tilt**

## Front/Rear Arm Socket Assembly and Mounting Hardware (12"-16" W x 16"-18" D) TDX SPREE & (16"-20" W x 16"-20" D) TDX SC

Item Number	Note	Part Number	Description	Quantity Per	
				Package	Assembly
1		1125478	Bracket, Arm Socket/Cane, Rear - Right	1	1
1		1125479	Bracket, Arm Socket/Cane, Rear - Left	1	1
2	A	1125734	Kit, Front/Rear Arm Socket Assembly Mounting Hardware	1	1
3			Screw, Hex Head w/ Patch (5/16-18 x 3/4")	1	2
4			Washer, Steel (5/16 x 3/4 x 1/16")	1	4
5			T-Nut (5/16-18)	1	4
6			Screw, Hex Head w/ Patch (5/16-18 x 5/8")	1	2
7	B	1122619	Socket, Arm, Front - Right	1	1
7	B	1122620	Socket, Arm, Front - Left	1	1
8		1028594	Pin, Arm Lock, Black	1	1
9		47471X074	Spring, Arm Lock	1	1
10		1090768	Kit, Lock Handle w/Rivets (Pair)	2	1
11	C	1125736	Kit, Swingaway Armrest Mounting Hardware	1	1
12			Pin, Pull	1	1
13			Screw, Hex Head w/ Patch (1/4-20 x 3/4")	1	1
14			Locknut (1/4-20)	1	2
15			Screw, Socket Button Head (1/4-20 x 1-5/8")	1	1
16			Clevis, Pivot	1	1
17			Washer (1/4 x 1/2 x 1/16")	1	1

NOTE: A - Includes items 3-6  
B - Includes Front Arm Socket and items 8-10  
C - Includes items 12-17