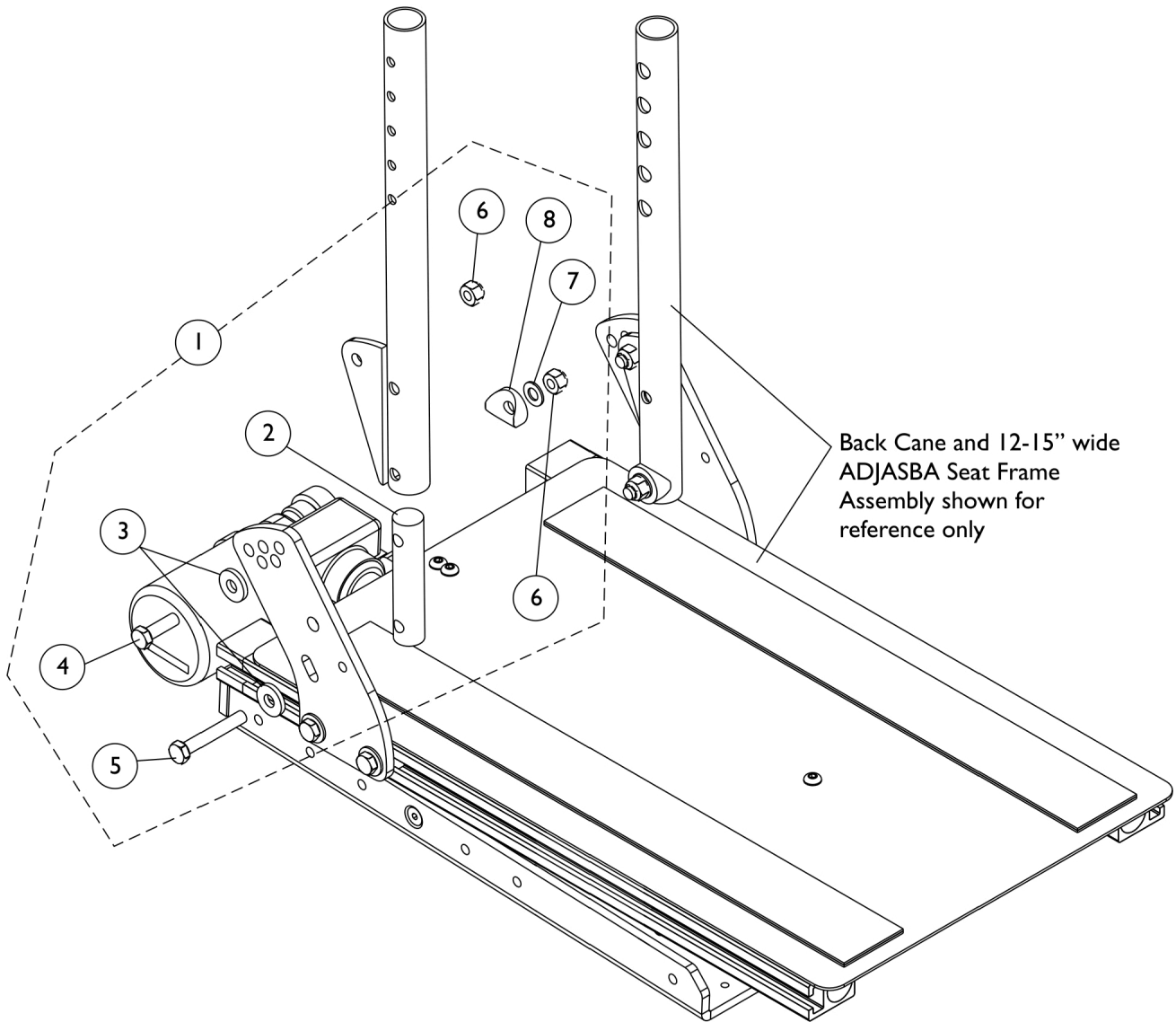


Back Cane Mounting Hardware (12"-15" Wide) Conventional Back - TDX SPREE



Back Cane Mounting Hardware (12"-15" Wide) Conventional Back - TDX SPREE

Item Number	Note	Part Number	Description	Quantity Per	
				Package	Assembly
1		1147973	Kit, Back Cane Mounting Hardware (Pair)	1	1
2			NLA - Insert, Back Cane	1	2
3			Washer, Flat (21/64 x 53/64 x 7/64")	1	4
4			Screw, Hex Head (5/16-18 x 1")	1	2
5			NLA - Screw, Hex Head (5/16-18 x 2")	1	2
6			Locknut (5/16-18)	1	4
7			Washer, Flat (5/16 x 5/8 x 1/16")	1	2
8			Spacer, Coved (3/4 x 1 x 1/2")	1	2