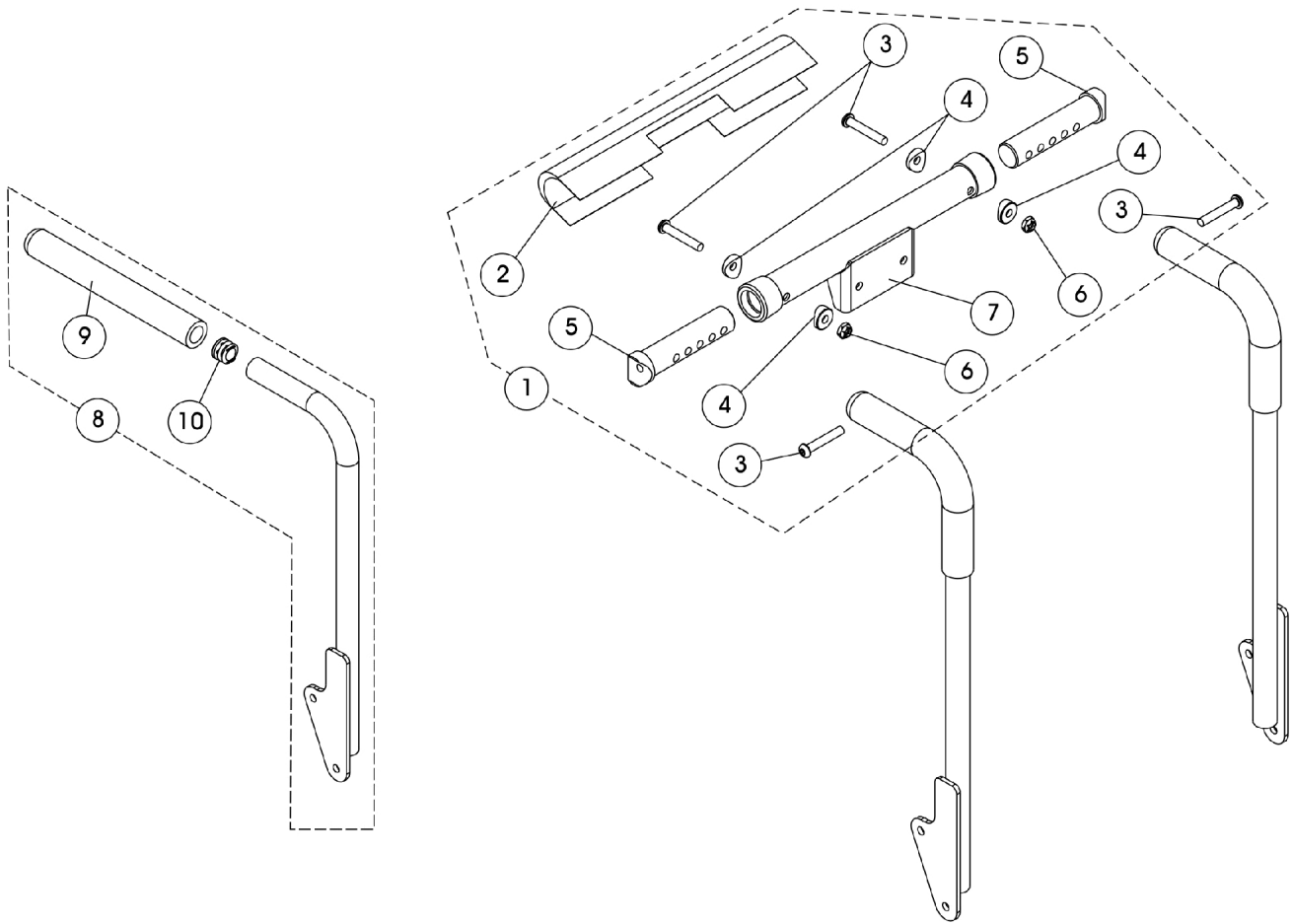


Back Cane, Spreader Bar and Push Handle Assembly (12"-16" Wide) BPO Option - TDX SPREE

NOTE: 14"-16" wide TDX SPREE with BPO will use the Double Spreader Bar assembly



Back Cane, Spreader Bar and Push Handle Assembly (12"-16" Wide) BPO Option - TDX SPREE

NOTE: 14"-16" wide TDX SPREE with BPO will use the Double Spreader Bar assembly

Item Number	Note	Part Number	Description	Quantity Per	
				Package	Assembly
1	A	1148152	Kit, Spreader Bar Assembly, 12-16" W Conventional Back & BPO Option	1	1
2			Cover, Spreader Bar w/ Headrest Bracket	1	1
3			Screw, Socket Button Head (1/4-20 x 1-1/2")	1	4
4			Spacer, Coved (1/4 x 11/16 x 1/2")	1	4
5			NLA - Insert, Spreader Bar Connector, Black	1	2
6			Locknut (1/4-20)	1	2
7			NLA - Tube, Spreader Bar w/ Headrest Bracket, Black	1	1
8	B	1133793	Back Cane Assembly, Straight, Black - Right (16" H)	1	1
8	B	1133794	Back Cane Assembly, Straight, Black - Left (16" H)	1	1
8	B	1133795	Back Cane Assembly, Straight, Black - Right (17" H)	1	1
8	B	1133796	Back Cane Assembly, Straight, Black - Left (17" H)	1	1
8	B,C	1143334	Back Cane Assembly, Straight, Black - Right (18" H)	1	1
8	B,C	1143335	Back Cane Assembly, Straight, Black - Left (18" H)	1	1
8	B	1133799	Back Cane Assembly, Straight, Black - Right (19" H)	1	1
8	B	1133800	Back Cane Assembly, Straight, Black - Left (19" H)	1	1
8	B,D	1133801	Back Cane Assembly, Straight, Black - Right (20" H)	1	1
8	B,D	1133802	Back Cane Assembly, Straight, Black - Left (20" H)	1	1
9		1135506	Package, Foam Hand Grip (9" L)	10	1
10		1134426	Package, Plug Button, Black (3/4")	10	1

NOTE: A - Includes items 2-7
 B - Back Cane Assembly includes the Foam Grip and Plug Button
 C - Wheelchairs manufactured before 5/15/09 with a Contoura Back 25" or 29" high and wheelchairs manufactured after 5/14/09 with a Curve Contoura Back 22" high will use the 18" high Straight Back Cane w/ Push Handle.
 D - Wheelchairs manufactured after 5/14/09 with a Curve Contoura Back 25" or 28" high will use the 20" high Straight Cane w/ Push Handle.