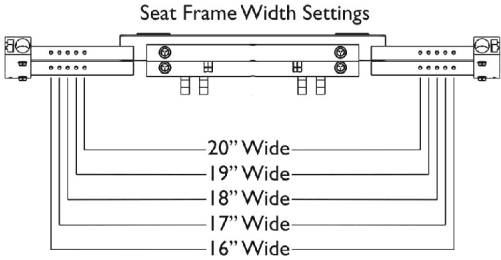
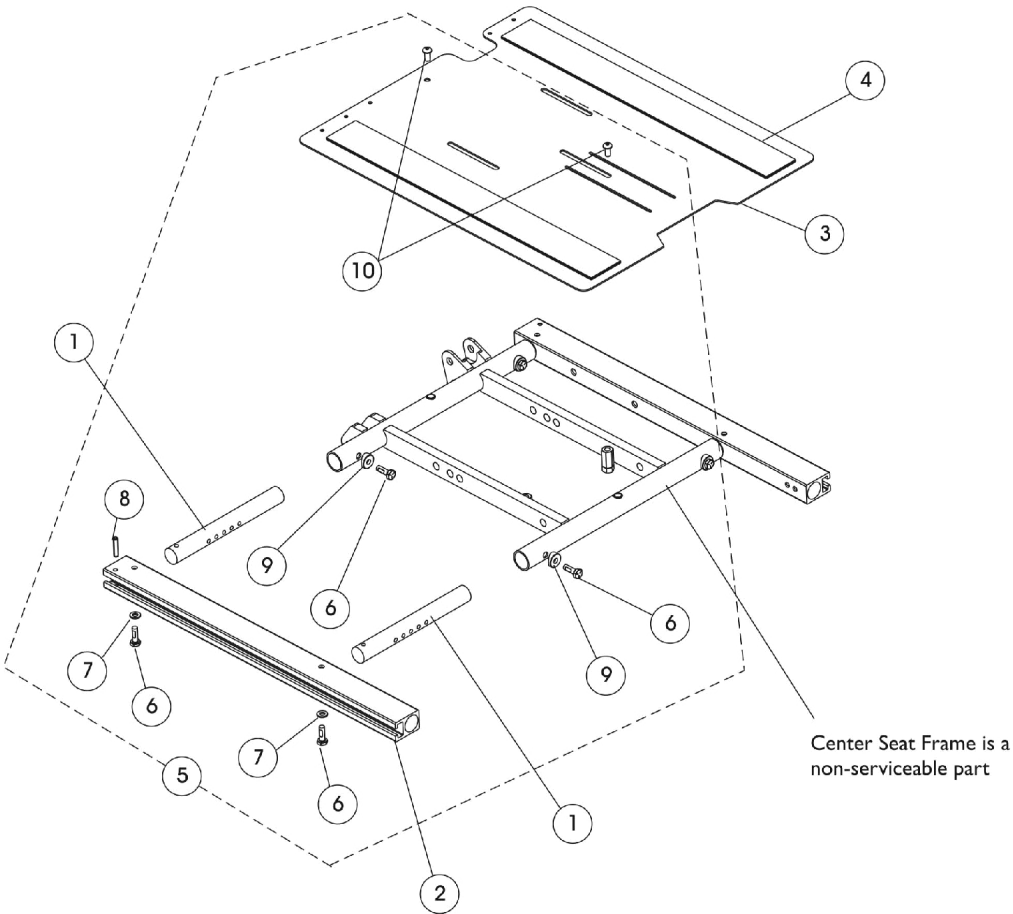


# Seat Frame, Seat Pan and Hardware

(16"-20" W x 16"-20" Deep) Conv., (16", 18", 20" Wide x 16"-20" Deep)  
**Contoura**



## Seat Frame, Seat Pan and Hardware (16"-20" W x 16"-20" Deep) Conv., (16", 18", 20" Wide x 16"-20" Deep) Contoura

Item Number	Note	Part Number	Description	Quantity Per	
				Package	Assembly
1		1122475	Crossbar, Seat Frame (16" - 20" W)	1	4
2		1142951	Rail, Seat Frame (For 12 - 19" D Conventional)	1	2
2		1142952	Rail, Seat Frame (For 19 - 22" D Conventional)	1	2
2	D	1142953	Rail, Seat Frame (For 16 - 19" D Contoura)	1	2
2	D	1142954	Rail, Seat Frame (For 19 - 22" D Contoura)	1	2
3		1143748	Pan, Seat, with Hook and Loop Fasteners (16 - 20" W x 16 - 19" D)	1	1
3		1143789	Pan, Seat, with Hook and Loop Fasteners (16 - 20" W x 19 - 22" D)	1	1
4	A	1043082	Hook Fastener with Adhesive Back (2" W x 18" L)	1	2
4	A	1044580	Loop Fastener with Adhesive Back (2" W x 18" L)	1	2
4	B	1043084	Hook Fastener with Adhesive back (2" W x 22" L)	1	2
4	B	1044584	Loop Fastener with Adhesive back (2" W x 22" L)	1	2
5	C	1144581	Kit, Seat Frame Assembly Hardware (12"-24" Wide)	1	1
6			Screw, Hex Head w/ Patch (1/4-20 x 3/4")	1	8
7			Washer (1/4 x 1/2 x 1/16")	1	4
8			NLA - Pin, Roll (3/16 x 1")	1	2
9			Spacer, Coved (1/4 x 11/16 x 1/2")	1	4
10			Screw, Socket Button (1/4-20 x 3/4")	1	2

NOTE: A - For 16-19" deep seat pans  
 B - For 19-22" deep seat pans. TDX SC systems only extend 20" deep only  
 C - Includes items 6-10  
 D - When a Contoura Seating System and Power Elevating Legrest (MPCTMT/MPCTMT-L) are ordered "together", the shorter length 15" or 18" long Conventional Seat Rails must be ordered instead. This will prevent the legrest from being positioned to far forward.