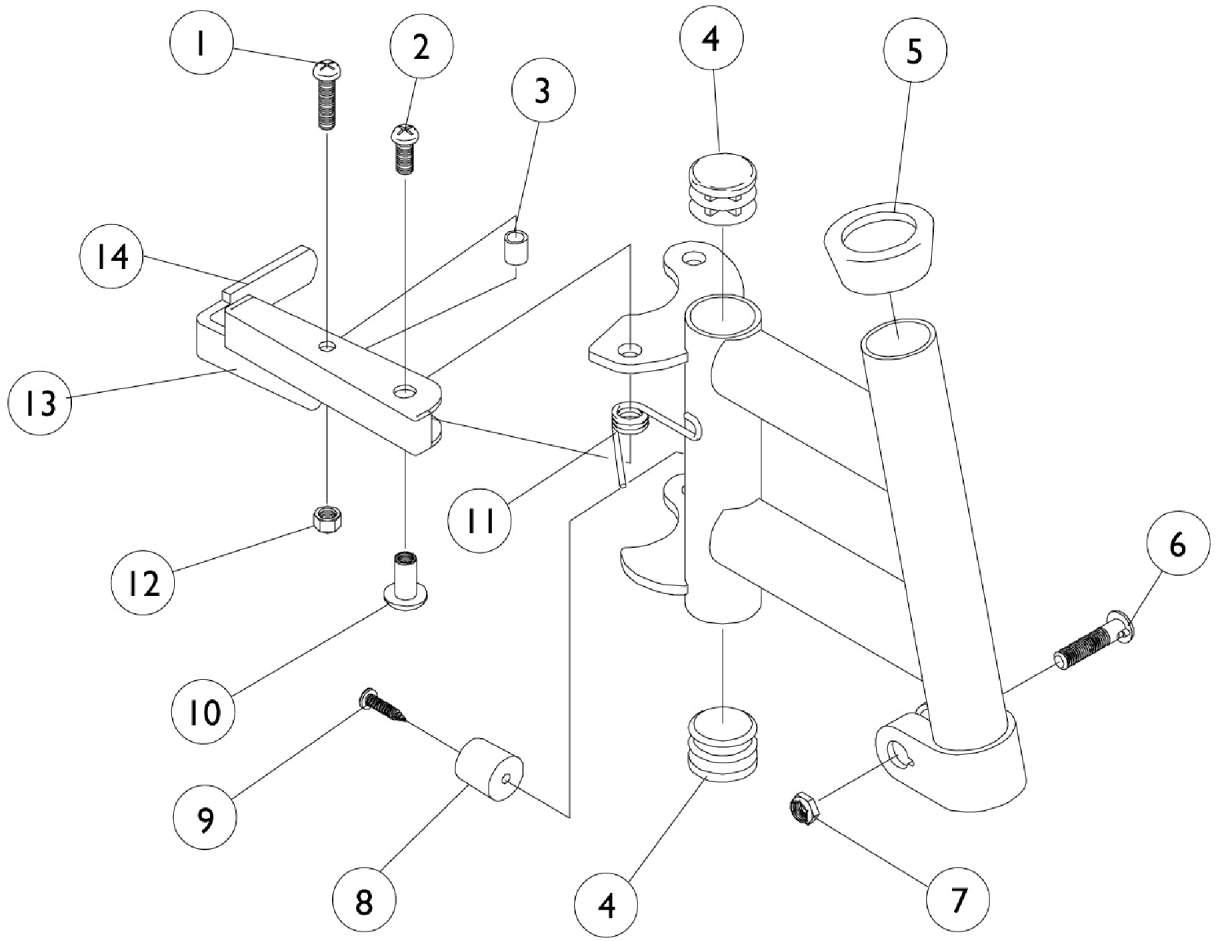


P93E Footrest Supports



P93E Footrest Supports

Item Number	Note	Part Number	Description	Quantity Per	
				Package	Assembly
1		7930360-NLA	NLA - Package, Screw, Phillips Pan Head (#10-32 x 1 1/16")	25	1
2		7930359-NLA	NLA - Package, Screw, Phillips Pan Head (#10-32 x 1/2")	25	1
3		47565X057	Bushing (7/32 x 3/8 x 1 1/32")	1	1
4		1027095	Plug Button, Black (7/8")	1	1
5		15680X012	Collar, Anti-Rattle (7/8")	1	1
6		11232X009	Bolt, Lug (5/16-24 x 1-3/8")	1	1
7		1107321	Nut, Low Cap (5/16"-24)	1	1
8		1022874	Bumper	1	1
9		1030979	Screw, Phillips Pan Head Tap (#10-32 x 3/4")	1	1
10		67005X000	Rivnut (#10-32)	1	1
11		1008935	Spring, Release - Right	1	1
11		1008936	Spring, Release - Left	1	1
12		7930365-NLA	NLA - Locknut (#10-32)	25	1
13		1035539	Handle, Release, Black - Right	1	1
13		1035540	Handle, Release, Black - Left	1	1
14	C	1006490	Tip, Plastic, Black	1	1
	A,B	8881037691-NL A	NLA - Footrest Support Assembly, Adult, Color - Right	1	1
	A,B	8881037692-NL A	NLA - Footrest Support Assembly, Adult, Color - Left	1	1
	B	1030994-NLA	NLA - Footrest Support Assembly, Adult, Chrome - Right	1	1
	B	1030995-NLA	NLA - Footrest Support Assembly, Adult, Chrome - Left	1	1

NOTE: A - Specify frame color when ordering, see page titled "Frame Finishes, Touch-Up Paints and Upholstery Options."
 B - Not Shown
 C - Before 10/1/00 only