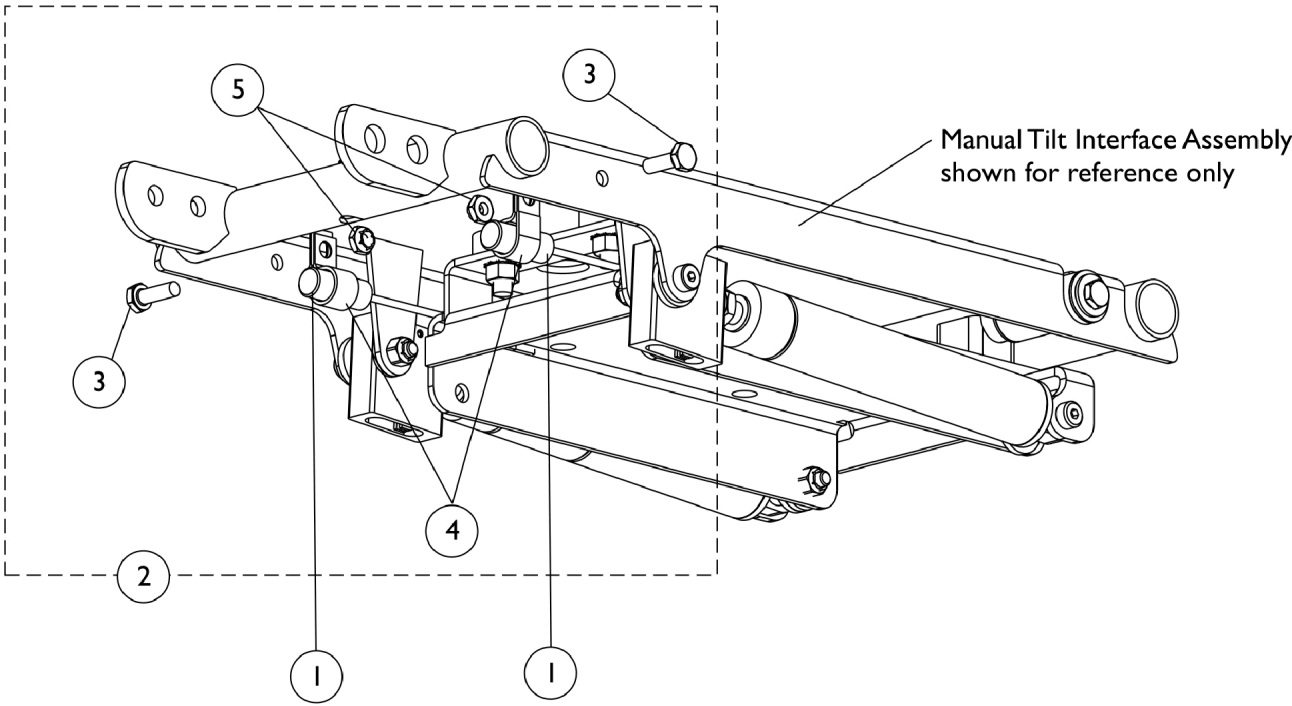


Mercury Free Switches and Hardware, Manual Tilt TDX SPREE

As of 7/1/2009, switches are mercury free.



Mercury Free Switches and Hardware, Manual Tilt TDX SPREE

As of 7/1/2009, switches are mercury free.

Item Number	Note	Part Number	Description	Quantity Per	
				Package	Assembly
1		1140099	Switch, Drive Lockout Mercury Free Ball (MK6i) (50" L)	1	2
2	A	1154117-NLA	NLA - Kit, Switch Mounting Hardware	1	1
3			NLA - Bolt, Hex Head Cap (1/4-20 x 3/4")	1	2
4			NLA - Bracket, Cable/Wire Mounting, Black	1	2
5			Locknut (1/4-20)	1	2
NOTE: A - Includes items 3-5					