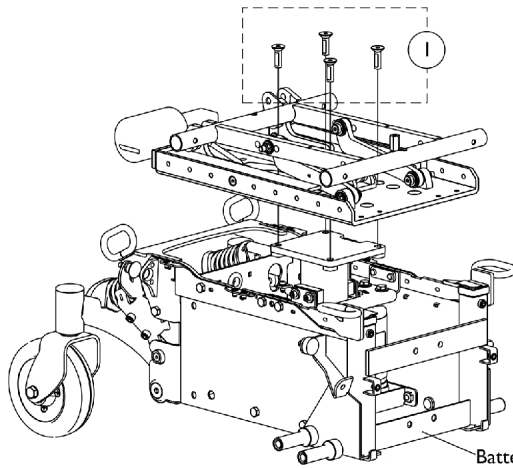


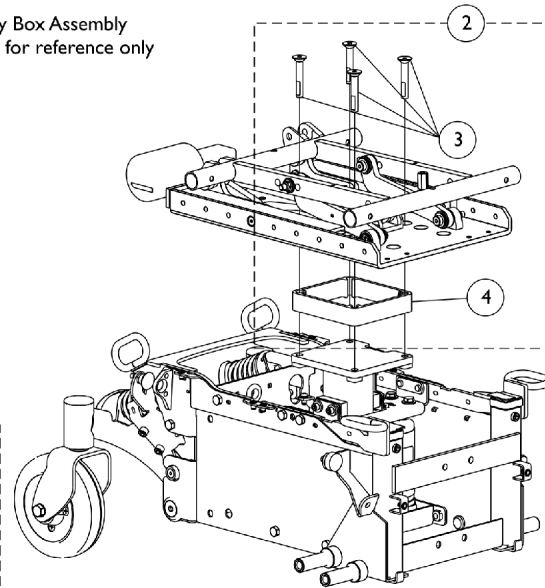
# Seat Frame Mounting Hardware TDX SPREE

LOW Seat-To-Floor = 16-3/4", MED Seat-To-Floor = 17-3/4", TALL Seat-To-Floor = 18-3/4"

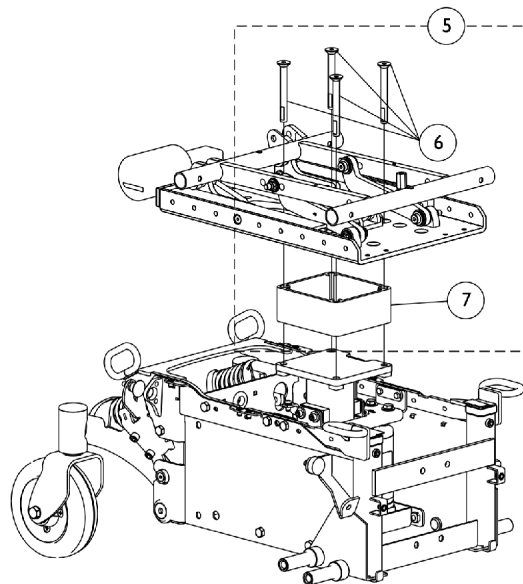


Battery Box Assembly  
shown for reference only

**Seat Frame Mounting Hardware  
LOW Seat-To-Floor**



**Seat Frame Mounting Hardware  
MED Seat-To-Floor**



**Seat Frame Mounting Hardware  
TALL Seat-To-Floor**

# Seat Frame Mounting Hardware TDX SPREE

LOW Seat-To-Floor = 16-3/4", MED Seat-To-Floor = 17-3/4", TALL Seat-To-Floor = 18-3/4"

Item Number	Note	Part Number	Description	Quantity Per	
				Package	Assembly
1		1152751-NLA	NLA - Package, Screw, Socket Flat Head with Patch (3/8-16 x 1-1/4")	4	1
1		1152752-NLA	NLA - Screw, Socket Flat Head with Patch (3/8-16 x 1-1/4")	1	4
2	A	1154213-NLA	NLA - Kit, Seat Frame Mounting Hardware (Med Seat-To-Floor)	1	1
3			NLA - Screw, Socket Flat Head with Patch (3/8-16 x 1-1/4")	1	4
4			Bracket, 1" Seat-To-Floor	1	1
5	B	1154214-NLA	NLA - Kit, Seat Frame Mounting Hardware (Tall Seat-To-Floor)	1	1
6			NLA - Screw, Socket Flat Head with Patch (3/8-16 x 3-1/4")	1	4
7			NLA - Bracket, 2" Seat-To-Floor	1	1
3		1154215-NLA	NLA - Screw, Socket Flat Head with Patch (3/8-16 x 1-1/4")	1	4
6		1154216-NLA	NLA - Screw, Socket Flat Head with Patch (3/8-16 x 3-1/4")	1	4

NOTE: A - Includes items 3 and 4  
B - Includes items 6 and 7