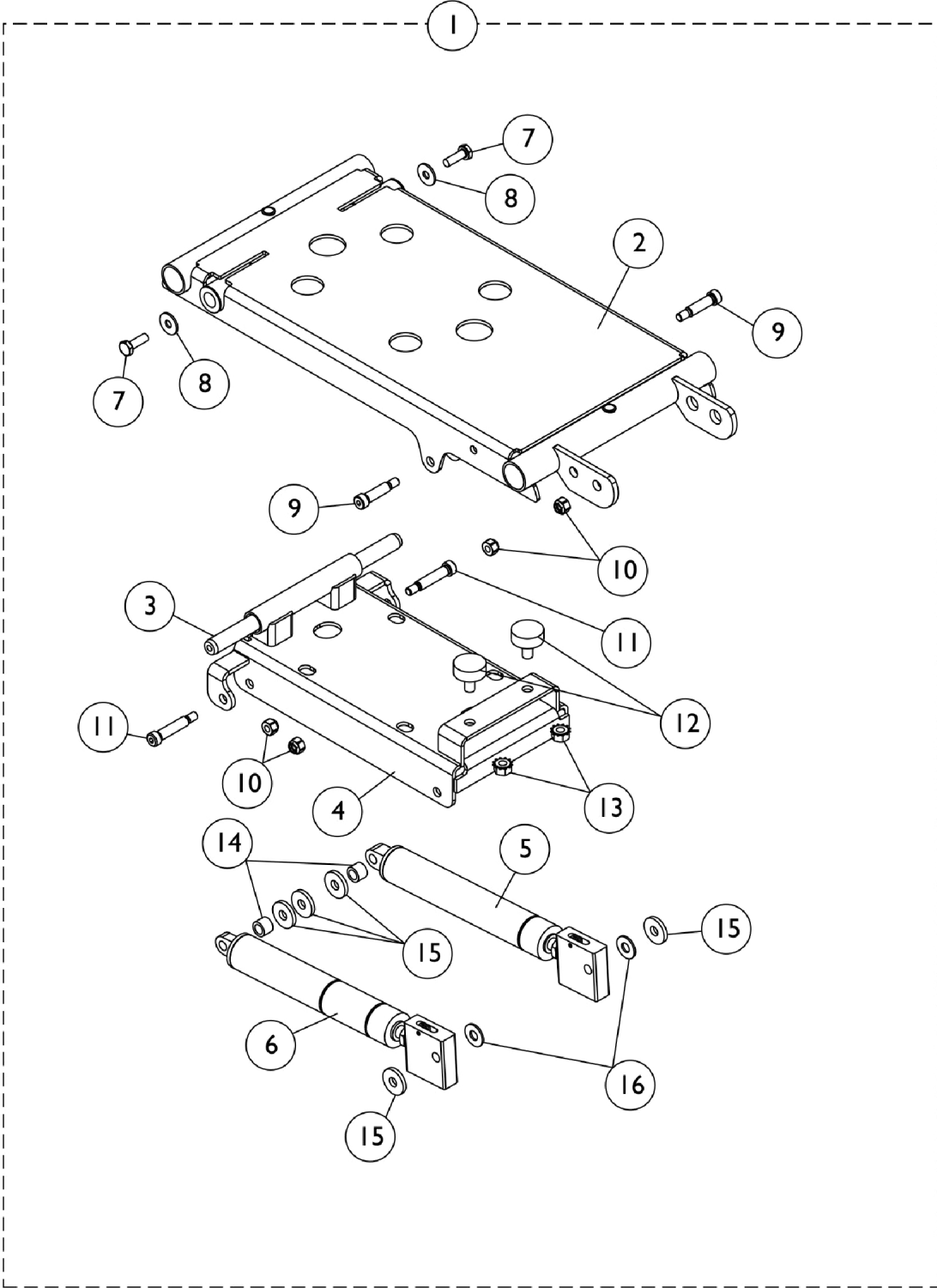


Manual Tilt Interface w/ Gas Cylinders TDX SPREE



Manual Tilt Interface w/ Gas Cylinders TDX SPREE

Item Number	Note	Part Number	Description	Quantity Per	
				Package	Assembly
1	A	1151028	Kit, Manual Tilt Interface Assembly TDX SPREE	1	1
2			Frame, Manual Tilt Center Seat, Black	1	1
3			Rod, Pivot	1	1
4			Frame, Elevate Manual Tilt, Black	1	1
5			Cylinder, Gas w/ Release Cable - Left	1	1
6			Cylinder, Gas w/ Release Cable - Right	1	1
7			Screw, Hex Head w/ Patch (1/4-20 x 3/4")	1	2
8			Washer (1/4 x 23/32 x 1/16")	1	2
9			NLA - Screw, Shoulder Hex Socket Head (5/16" x 1", 1/4-20)	1	2
10			Locknut (1/4-20)	1	4
11			NLA - Screw, Shoulder Hex Socket Head (5/16" x 1-1/4", 1/4-20)	1	2
12			Bumper, Rubber (1" Diameter x 3/8")	1	2
13			NLA - Nut, Keps (5/16-18)	1	2
14			Spacer (5/16 x 1/2 x 3/8")	1	2
15			Washer, Nylon (5/16 x 7/8 x 1/8")	1	5
16			Washer, Steel (5/16 x 3/4 x 1/16")	1	2
2		1151027	Frame, Manual Tilt Center Seat, Black	1	1
3		1151885	Rod, Pivot	1	1
4		1149616	Frame, Elevate Manual Tilt, Black	1	1
5		1075256	Cylinder, Gas w/ Release Cable - Left	1	1
6		1075255	Cylinder, Gas w/ Release Cable - Right	1	1
	B,C	1154122-NLA	NLA - Kit, Manual Tilt Interface Hardware TDX SPREE	1	1
7			Screw, Hex Head w/ Patch (1/4-20 x 3/4")	1	2
8			Washer (1/4 x 23/32 x 1/16")	1	2
9			NLA - Screw, Shoulder Hex Socket Head (5/16" x 1", 1/4-20)	1	2
10			Locknut (1/4-20)	1	4
11			NLA - Screw, Shoulder Hex Socket Head (5/16" x 1-1/4", 1/4-20)	1	2
12			Bumper, Rubber (1" Diameter x 3/8")	1	2
13			NLA - Nut, Keps (5/16-18)	1	2
14			Spacer (5/16 x 1/2 x 3/8")	1	2
15			Washer, Nylon (5/16 x 7/8 x 1/8")	1	5
16			Washer, Steel (5/16 x 3/4 x 1/16")	1	2

NOTE: A - Includes items 2-16
B - Includes items 7-16
C - Not Shown