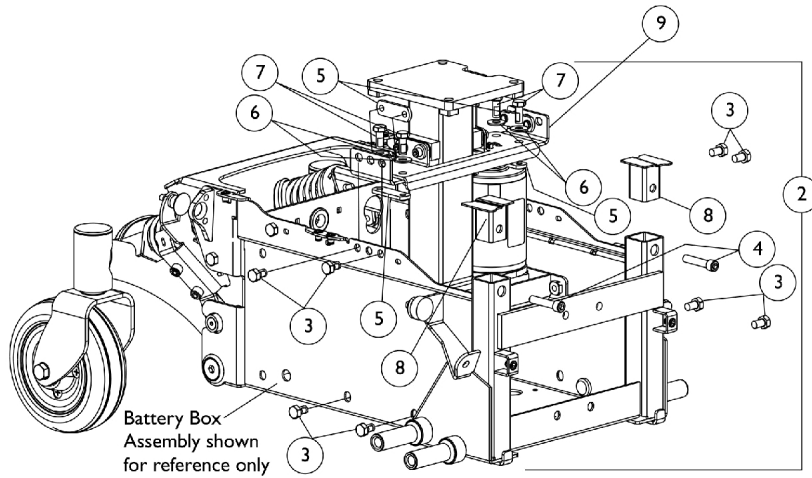
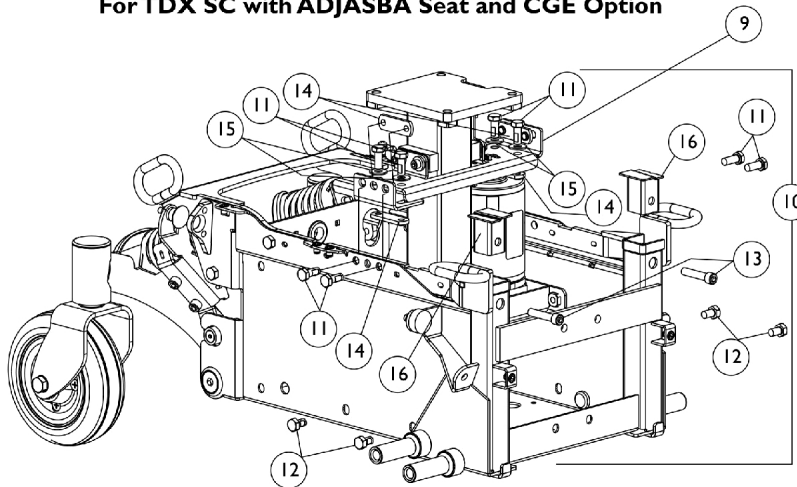


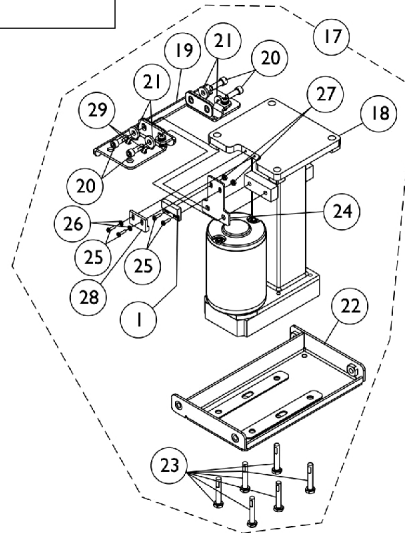
# Actuator Motor, Elevate and Hardware without TRRO Option



**Elevate Hardware without TRRO/TRBKTS Option For TDX SC with ADJASBA Seat and CGE Option**



**Elevate Hardware with TRBKTS Option For (TDX SC with ADJASBA Seat and CGE Option), and TDX SPREE**



## Actuator Motor, Elevate and Hardware without TRRO Option

Item Number	Note	Part Number	Description	Quantity Per	
				Package	Assembly
1		1122586	Sensor, Proximity Switch (30 1/4" L)	1	1
2	A	1154119-NLA	NLA - Kit, Elevate Hardware NON-TRRO/TRBKTS	1	1
3			NLA - Screw, Hex Head w/ Patch (5/16-18 x 1/2")	1	8
4			NLA - Screw, Socket Head w/ Patch (5/16-18 x 1-1/2")	1	2
5			Nut, Weld (5/16-18 x 1-3/8" Spacing)	1	4
6			Washer, Steel (5/16 x 3/4 x 1/16")	1	4
7			Screw, Hex Head w/ Patch (5/16-18 x 3/4")	1	4
8			Plug, Tube - Right	1	1
8			Plug, Tube - Left	1	1
9		1152713-NLA	NLA - Bracket, Elevate Mounting, Black	1	2
10	B	1154120-NLA	NLA - Kit, Elevate Hardware TRBKTS	1	1
11			Screw, Hex Head w/ Patch (5/16-18 x 3/4")	1	8
12			NLA - Screw, Hex Head w/ Patch (5/16-18 x 1/2")	1	4
13			NLA - Screw, Socket Head w/ Patch (5/16-18 x 1-1/2")	1	2
14			Nut, Weld (5/16-18 x 1-3/8" Spacing)	1	4
15			Washer, Steel (5/16 x 3/4 x 1/16")	1	4
16			Plug, TRRO/TRBKTS Tube - Right	1	1
16			Plug, TRRO/TRBKTS Tube - Left	1	1
17	C	1151001	Kit, Elevate Actuator Motor	1	1
1			Sensor, Proximity Switch (30 1/4" L)	1	1
18			Actuator Motor Assembly, Elevate	1	1
19			Bracket, Upper Support	1	1
20			NLA - Screw, Socket Head w/ Patch (1/4-20 x 3/4")	1	4
21			Washer (1/4 x 5/8 x 3/32")	1	4
22			Bracket, Lower Support	1	1
23			NLA - Screw, Hex Head w/ Patch (1/4-20 x 1-1/2")	1	6
24			Bracket, Limit Switch, Black	1	1
25			Screw, Phillips Pan Head (#4-40 x 7/16")	1	4
26			NLA - Washer, Internal Tooth Lock (#4-40)	1	2
27			Nut, Hex Keps (#4-40)	1	2
28			Sensor, Actuator Switch	1	1
29			Tie Wrap (5-5/8" L)	1	2
25		1074128	Screw, Phillips Pan Head (#4-40 x 7/16")	1	4
26		1008525-NLA	NLA - Washer, Internal Tooth Lock (#4-40)	1	2
27		P0870X000	Nut, Hex Keps (#4-40)	1	2
28		1024001	Sensor, Actuator Switch	1	1

NOTE: A - Includes items 3-8  
B - Includes items 11-16  
C - Includes items 1 and 18-29