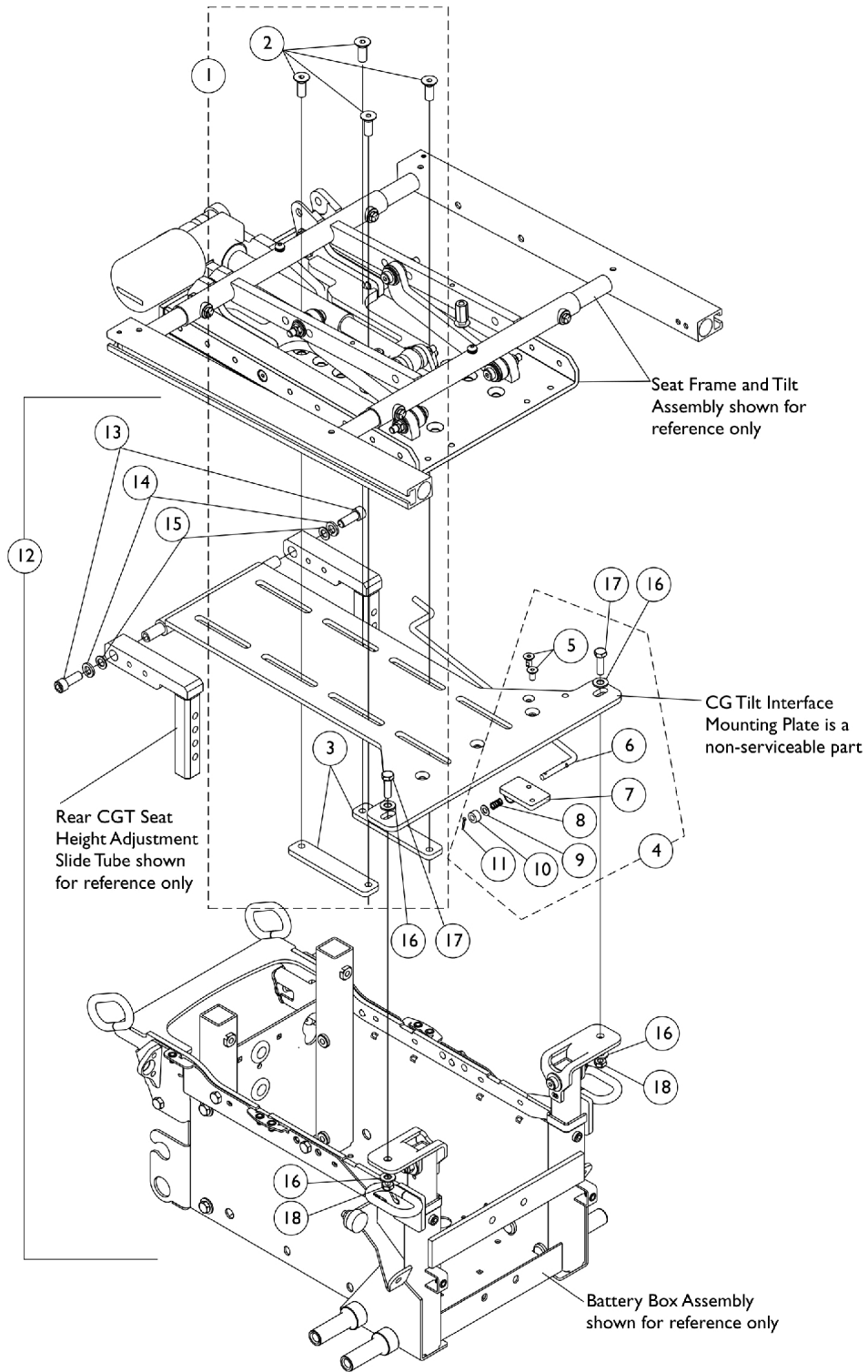


Tilt Interface Hardware

TDX SC



Tilt Interface Hardware TDX SC

Item Number	Note	Part Number	Description	Quantity Per	
				Package	Assembly
1	A	1150901-NLA	NLA - Kit, Seat Frame Mounting Hardware	1	1
2			Screw, Socket Flat Head (3/8-16 x 1")	1	4
3			Bracket, Clamping	1	2
4	B	1150898-NLA	NLA - Kit, Prop Rod Assembly	1	1
5			NLA - Screw, Socket Flat Head w/ Patch (1/4-20X1/2")	1	2
6			Rod, Prop	1	1
7			Bracket, Prop Rod	1	1
8			Spring, Arm Lock	1	1
9			Washer, Nylon (1/4 x 1/2 x 1/32")	1	1
10			Washer, Nylon (1/4 x 1/2 x 9/32")	1	1
11			NLA - Pin, Cotter (5/64 x 1/2")	1	1
12	C	1154113-NLA	NLA - Kit, Interface Plate Mounting Hardware	1	1
13			Screw, Socket Head (3/8-16 x 1")	1	2
14			Washer, Lock (3/8")	1	2
15			Washer, Plain (1/4 x 9/16 x 1/16")	1	2
16			Washer, Steel (11/32 x 11/16 x 1/16")	1	4
17			Screw, Hex Head (5/16-18 x 1")	1	2
18			Locknut (5/16-18)	1	2
NOTE: A - Includes items 2 and 3 B - Includes items 5-11 C - Includes items 13-18					