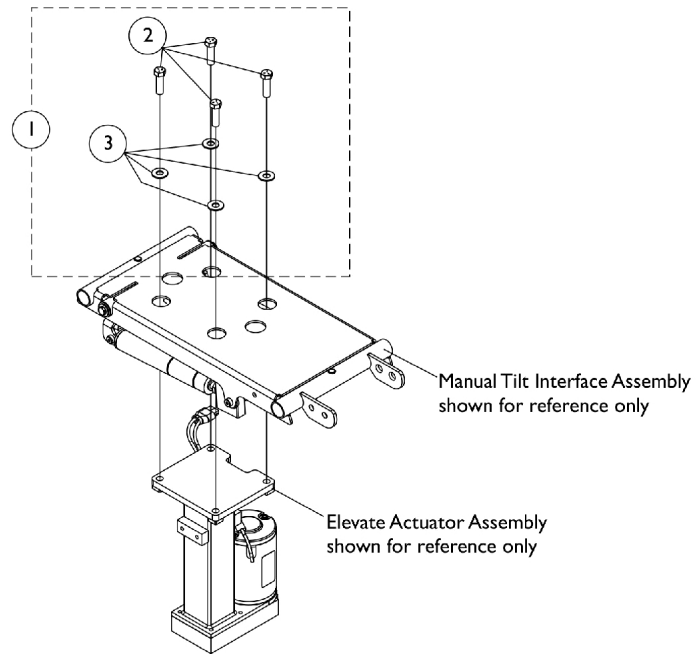
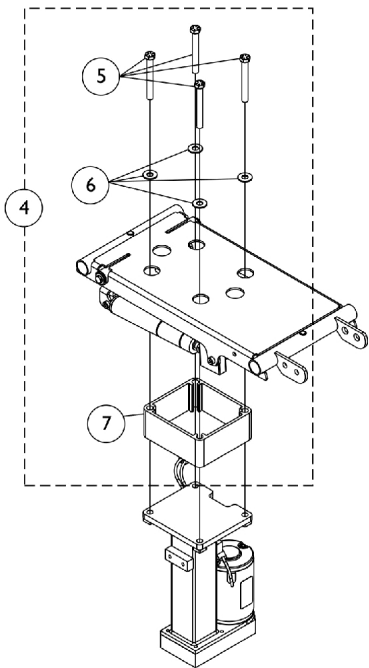


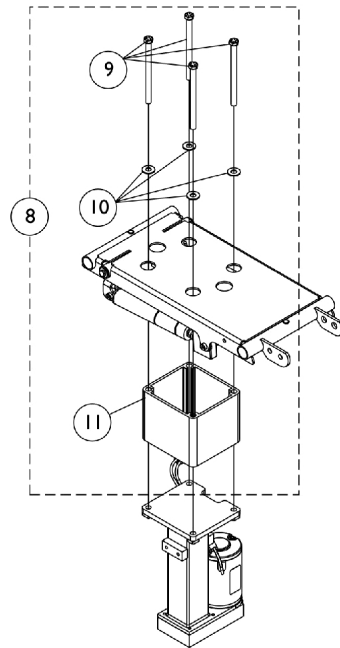
ADJASBA Seat Frame Mounting Hardware (12"-16" Wide) Manual Tilt TDX SPREE



Seat Frame Mounting Hardware LOW Seat-To-Floor



Seat Frame Mounting Hardware MED Seat-To-Floor



Seat Frame Mounting Hardware TALL Seat-To-Floor

ADJASBA Seat Frame Mounting Hardware (12"-16" Wide) Manual Tilt TDX SPREE

Item Number	Note	Part Number	Description	Quantity Per	
				Package	Assembly
1	A	1151874-NLA	NLA - Kit, Seat Frame Mounting Hardware, Low Seat-To-Floor (12"-16" Wide)	1	1
2			NLA - Screw, Hex Head (3/8-16 x 1-1/4")	1	4
3			NLA - Washer, Steel (3/8 x 7/8 x 1/16")	1	4
4	B	1151875-NLA	NLA - Kit, Seat Frame Mounting Hardware, Med Seat-To-Floor (12"-16" Wide)	1	1
5			NLA - Screw, Hex Head (3/8-16 x 3")	1	4
6			NLA - Washer, Steel (3/8 x 7/8 x 1/16")	1	4
7			NLA - Bracket, 2" Seat-To-Floor	1	1
8	C	1151876-NLA	NLA - Kit, Seat Frame Mounting Hardware, Tall Seat-To-Floor (12"-16" Wide)	1	1
9			NLA - Screw, Hex Head (3/8-16 x 5")	1	4
10			NLA - Washer, Steel (3/8 x 7/8 x 1/16")	1	4
11			NLA - Bracket, 4" Seat-To-Floor	1	1
3		1118889-NLA	NLA - Washer, Steel (3/8 x 7/8 x 1/16")	1	4
5		1151872-NLA	NLA - Screw, Hex Head (3/8-16 x 3")	1	4
9		1151873-NLA	NLA - Screw, Hex Head (3/8-16 x 5")	1	4
NOTE: A - Includes items 2 and 3 B - Includes items 5-7 C - Includes items 9-11					