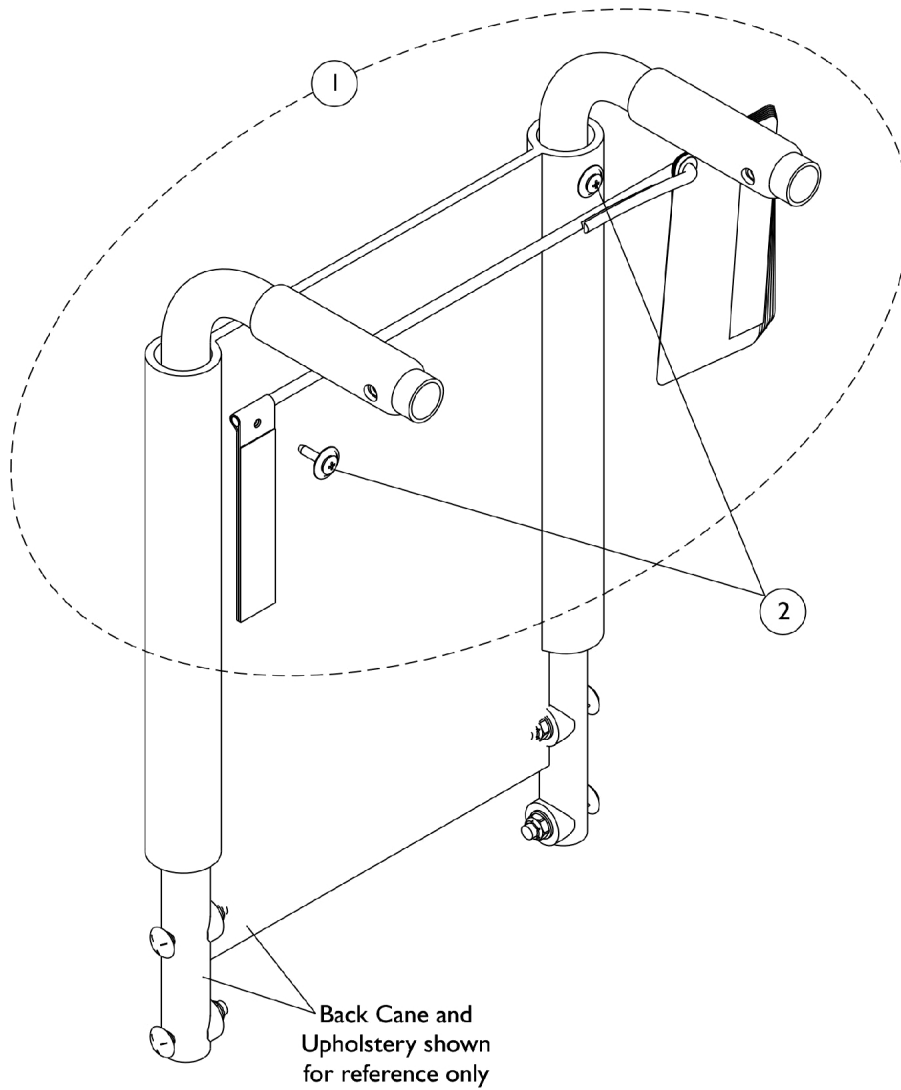


TRRO Instruction Cards



Item Number	Note	Part Number	Description	Quantity Per	
				Package	Assembly
1	A	1152750-NLA	NLA - Card, TRRO Instruction	1	1
2		1026298	Package, Screw with Washer (#10 x 7/8") (Pair)	2	1
NOTE: A - Instruction Cards include the attachment strap. Individual components are non-saleable. Serial number of chair must be verified to ensure that TRRO option was originally ordered.					