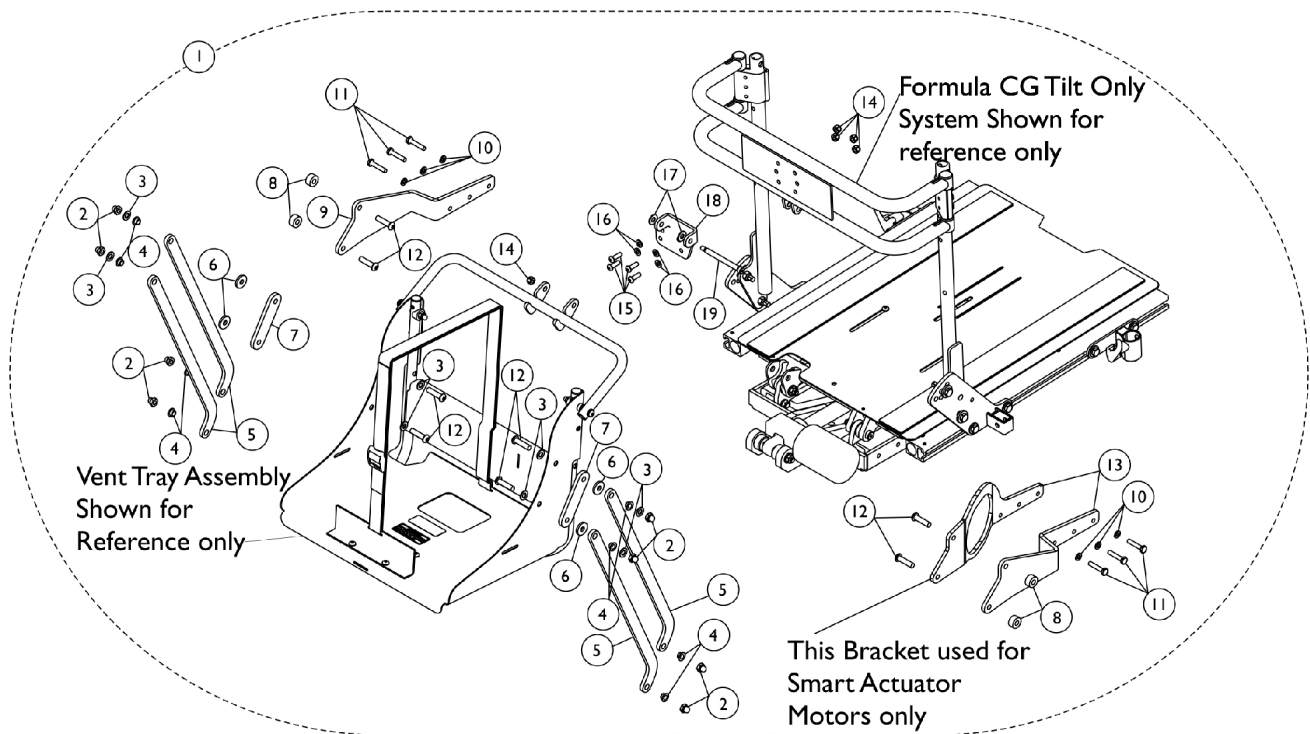


# Vent Tray Mounting Hardware

## Conventional (CGT), ABS & Metal Curved (CGT), & (CGT) w/ BPO Option

When a Vent Tray Assembly is ordered for the first time in the field for 3G Storm Series, the chair must be returned to Invacare for installation. Call the Technical Service Department for assistance at 1-800-832-4707. For TDX SP/SR models, refer to page titled "Vent Tray Kits". Vent Tray is excluded from 3G Storm Series and TDX SP/SR model wheelchairs with TRRO option.



# Vent Tray Mounting Hardware

## Conventional (CGT), ABS & Metal Curved (CGT), & (CGT) w/ BPO Option

When a Vent Tray Assembly is ordered for the first time in the field for 3G Storm Series, the chair must be returned to Invacare for installation. Call the Technical Service Department for assistance at 1-800-832-4707. For TDX SP/SR models, refer to page titled "Vent Tray Kits". Vent Tray is excluded from 3G Storm Series and TDX SP/SR model wheelchairs with TRRO option.

Item Number	Note	Part Number	Description	Quantity Per	
				Package	Assembly
1	A	1148659-NLA	NLA - Kit, Vent Tray Mounting Hardware for Conventional Tilt, ABS Curved Tilt, & Tilt w/ BPO Option.	1	1
2			Nut, Nylon (5/16-24") Hex Cap	1	8
3			Washer, Flat (5/16 x 5/8 x 1/16")	1	8
4			Bushing, Flange	1	8
5			Bracket, Lower Vent, Black	1	4
6			Washer, Nylon (5/16 x 7/8 x 1/8")	1	4
7			Plate, Support Vent - Black	1	2
8			NLA - Bushing (3/8")	1	4
9			Bracket, Lower Vent Mounting, Black - Left	1	1
10			Lockwasher, Split (1/4")	1	6
11			Screw, Hex Head (1/4-20 x 1-1/4")	1	6
12			NLA - Screw Allen Head (5/16-24 x 1-1/4")	1	8
13			Bracket, Lower Vent Mounting, Black - Right	1	1
14			Locknut (1/4-20)	1	5
15			Screw, Socket Button (1/4-20 x 3/4")	1	4
16			Washer (1/4 x 1/2 x 1/16")	1	4
17			Washer, Nylon (5/16 x 11/16 x 1/16")	1	2
18			Bracket, Hanger Vent BPO, Black	1	1
19			Screw, Shoulder Hex Socket Head (5/16" x 3", 1/4-20)	1	1
1	B	1142192	Kit, Vent Tray Mounting Hardware (Smart) for Conventional Tilt, ABS Curved Tilt, & Tilt w/ BPO Option.	1	1
2			Nut, Nylon (5/16-24") Hex Cap	1	8
3			Washer, Flat (5/16 x 5/8 x 1/16")	1	8
4			Bushing, Flange	1	8
5			Bracket, Lower Vent, Black	1	4
6			Washer, Nylon (5/16 x 7/8 x 1/8")	1	4
7			Plate, Support Vent - Black	1	2
8			NLA - Bushing (3/8")	1	4
9			Bracket, Lower Vent Mounting, Black - Left	1	1
10			Lockwasher, Split (1/4")	1	6
11			Screw, Hex Head (1/4-20 x 1-1/4")	1	6
12			NLA - Screw Allen Head (5/16-24 x 1-1/4")	1	8
13			Bracket, Lower Vent Mounting, Smart, Black - Right	1	1
14			Locknut (1/4-20)	1	5
15			Screw, Socket Button (1/4-20 x 3/4")	1	4
16			Washer (1/4 x 1/2 x 1/16")	1	4
17			Washer, Nylon (5/16 x 11/16 x 1/16")	1	2
18			Bracket, Hanger Vent BPO, Black	1	1

# Vent Tray Mounting Hardware

## Conventional (CGT), ABS & Metal Curved (CGT), & (CGT) w/ BPO Option

When a Vent Tray Assembly is ordered for the first time in the field for 3G Storm Series, the chair must be returned to Invacare for installation. Call the Technical Service Department for assistance at 1-800-832-4707. For TDX SP/SR models, refer to page titled "Vent Tray Kits". Vent Tray is excluded from 3G Storm Series and TDX SP/SR model wheelchairs with TRRO option.

Item Number	Note	Part Number	Description	Quantity Per	
				Package	Assembly
19			Screw, Shoulder Hex Socket Head (5/16" x 3", 1/4-20)	1	1
9		1146332	Bracket, Lower Vent Mounting, Black - Left	1	1
13	C	1146331	Bracket, Lower Vent Mounting, Black - Right	1	1
13	D	1153632	Bracket, Lower Vent Mounting, Smart, Black - Right	1	1
NOTE: A - Includes items 2-19 and used for seating systems with a Conventional Actuator Motor B - Includes 2-19 and used for seating systems with a Smart Actuator Motor C - Used when a Conventional Actuator Motor is used D - Used when a Smart Actuator Motor is used					