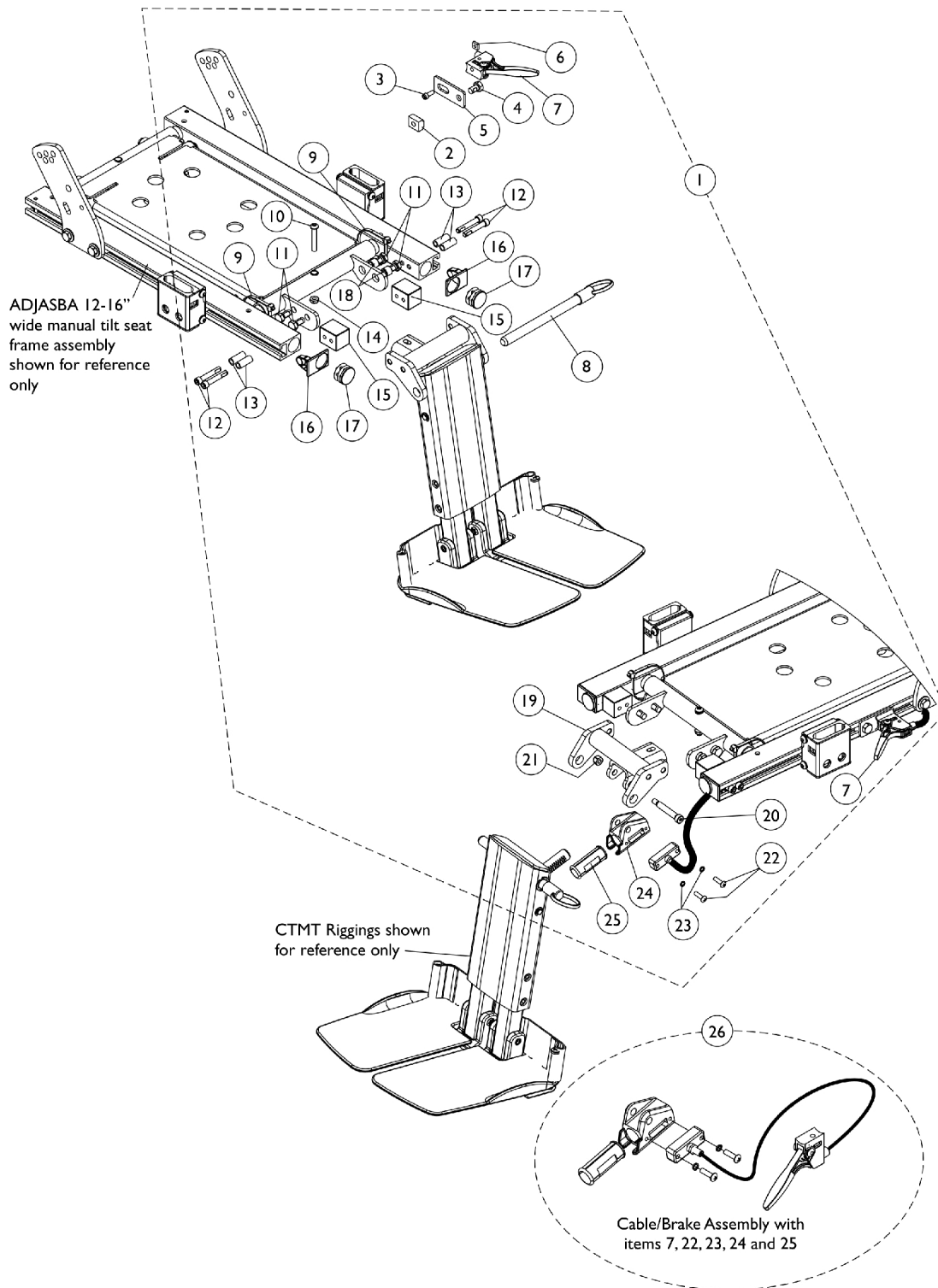


Center Mount Rigging Mounting Hardware (CTMT-F/CTMT-FJ) (12"-16" Wide) Manual Tilt Chairs with ADJASBA Seats



Center Mount Rigging Mounting Hardware (CTMT-F/CTMT-FJ)

(12"-16" Wide) Manual Tilt Chairs with ADJASBA Seats

Item Number	Note	Part Number	Description	Quantity Per	
				Package	Assembly
1	A	1154220	Kit, Center Mount Rigging Mounting Hardware, Manual Tilt	1	1
2			T-Nut (5/16-18)	1	1
3			NLA - Screw, Socket Head (#10-32 x 1/2")	1	1
4			NLA - Screw, Hex Head w/ Patch (5/16-18 x 1/2")	1	1
5			Bracket, Release Handle Mounting, Black	1	1
6			Nut, Square (#10-32)	1	1
7			Cable/Brake Assembly	1	1
8			NLA - Pin, Quick Release (5" Long)	1	1
9			Tie Wrap (11-1/2" L)	1	2
10			Screw, Socket Button Head (1/4-20 x 1-1/2")	1	1
11			Screw, Hex Head w/ Patch (5/16-18 x 5/8")	1	4
12			Screw, Socket Head Cap w/ Patch (1/4-20 x 1-1/2")	1	4
13			Spacer (1/4 x 3/8 x 29/32")	1	4
14			Locknut (1/4-20)	1	1
15			Block, Threaded	1	2
16			Cap, End, Side Rail, Black	1	2
17			Plug Button, Black (1")	1	2
18			Spacer (5/16 x 7/16 x 3/8")	1	2
19			Support, Footrest, Center Mount Rigging, Black	1	1
20			Screw, Shoulder Hex Socket Head (5/16" x 1-5/8", 1/4-20)	1	1
21			Locknut (1/4-20)	1	1
22			Screw, Phillips Pan Head (#10-32 x 11/16")	1	2
23			NLA - Washer, Lock (3/16 x 5/16 x 1/32")	1	2
24			Housing, Ratchet	1	1
25			Bearing, Glide	1	2
26	B	1121079	Cable/Brake Assembly w/ Ratchet Housing and Glide Bearing	1	1

NOTE: A - Includes items 2-25
B - Includes items 7, 22, 23, 24, 25