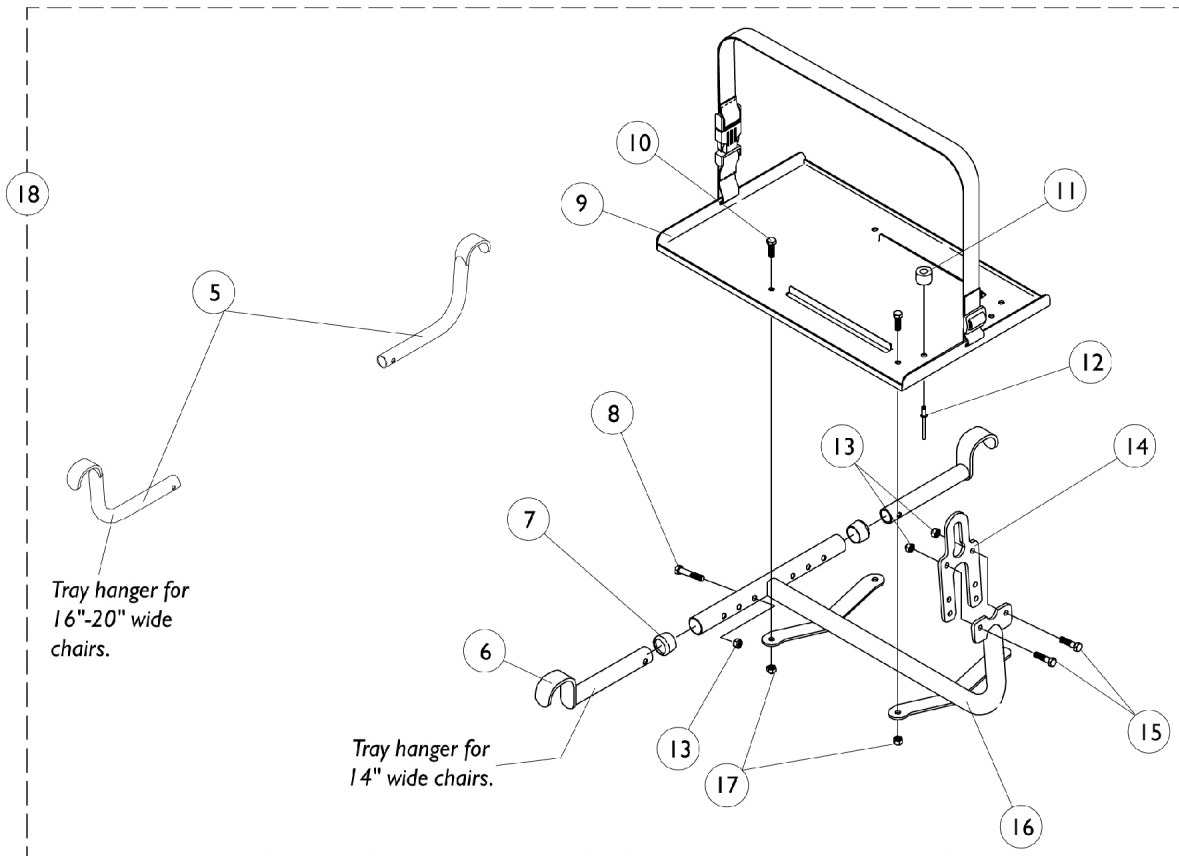
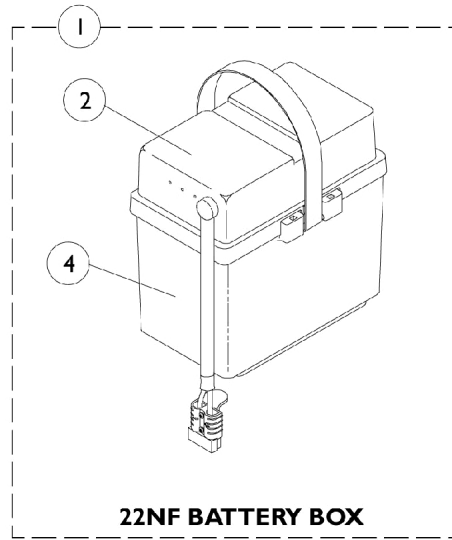
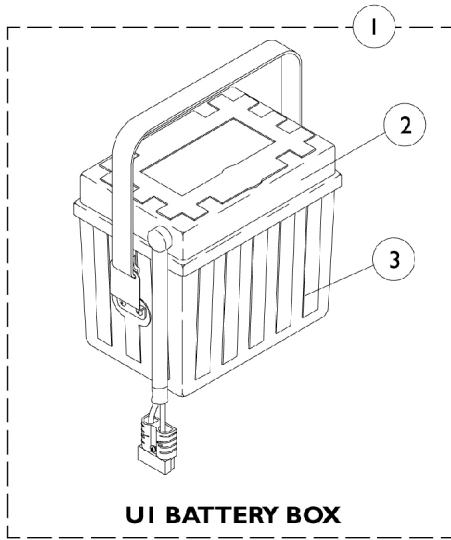


Battery Tray and Hangers



Battery Tray and Hangers

Item Number	Note	Part Number	Description	Quantity Per	
				Package	Assembly
1		1057942-NLA	NLA - Battery Box Assembly, Dual w/ Single Extended Connector, UI	1	2
1		1057945-NLA	NLA - Battery Box Assembly, Single Extended Connector, 22NF (16-20" Wide)	1	2
2	A,B	1057941-NLA	NLA - Battery Box Top Assembly, Dual w/ Single Extended Connector, UI	1	2
2	A,B	1097003	Battery Box Top, Rear, 22NF	1	2
3		1009268-NLA	NLA - Battery Box Bottom Assembly, U1	1	2
3	F	1013319	Strap, Battery	1	2
3	F	1003177-NLA	NLA - Rivet	1	2
3	F	16348X005-NLA	NLA - Washer, Steel (5/32 x 3/8 x 1/32")	1	2
4		1057944	Battery Box Bottom with Strap, 22NF	1	2
4	G	1041433-NLA	NLA - Pin, Handle	1	2
4	G	1057954-NLA	NLA - Strap, Battery	1	2
5		1057419-NLA	NLA - Bracket, Tray Hanger, Black (16-20" W)	1	2
6		1057939-NLA	NLA - Bracket, Tray Hanger, Black (14" W)	1	2
7		15680X012	Collar, Anti-Rattle (7/8")	1	2
8		1021406	Screw, Hex Head (1/4-20 x 1-1/4")	1	2
9		1057835-NLA	NLA - Tray Assembly with Buckle	1	1
10		1025752-NLA	NLA - Screw, Hex Head (1/4-20 x 1-1/2")	1	4
11		1016025-NLA	NLA - Bumper, Rubber (UI Battery Boxes Only)	1	2
12		1007094-NLA	NLA - Rivet, Pop (3/16") (UI Battery Boxes Only)	1	2
13		7930333	Locknut (1/4-20)	25	4
14		1044066-NLA	NLA - Hanger, Tray	1	1
15		7930326-NLA	NLA - Package, Screw, Hex Head (1/4-20 x 3/4")	25	2
16		1057421-NLA	NLA - Support, Tray, Sectional	1	1
17		7930323-NLA	NLA - Package, Locknut (1/4-20)	25	4
18		1057839-NLA	NLA - Battery Tray Assembly, UI Battery Boxes, Sectional (14" W)	1	1
18		1057838-NLA	NLA - Battery Tray Assembly, 22NF Battery Boxes (16"-20" W) - Sectional	1	1
	A,E,H	50000X166-NLA	NLA - Fuse - Buss 2-1/4" L (60 AMP)	1	2
	E,I,J	1089385	Fuse, MIDI (Non-G/B & G/B) (80 AMP)	1	2
	C,E	1060318-NLA	NLA - Hardware, Battery Terminal, UI Batteries (Pair)	2	1
	D,E	1058618-NLA	NLA - Hardware, Battery Terminal, 22NF Batteries (Pair)	2	1

NOTE: A - As of 11/5/99 the battery harness fuse changed from a Bussman 60 AMP to a MIDI 80 AMP fuse. This battery box top is compatible for chairs manufactured before 11/5/99 and must be ordered when a replacement Bussman 60 AMP fuse is requested.
B - It is recommended that new terminal hardware be ordered when a new battery box top is ordered.
C - Hardware includes small battery terminal caps (gray and orange), 1/4-20 x 7/8" hex flange screws, 1/4-20 hex flange nuts, cable ties, locking tab washers and instruction sheet for two batteries.
D - Hardware includes battery clamps, battery clamp caps (red and black), small battery terminal caps (red and black), 1/4-20 x 7/8" hex flange screws, 1/4-20 hex flange nuts, cable ties and locking tab washers for two batteries.
E - Not Shown.
F - These items included with item number 1009268 or available separately
G - These items included with item number 1057944 or available separately
H - Before 11/5/99
I - After 11/4/99
J - After 11/9/00