

**e-motion M25  
Power Assist for Wheelchairs**



*Yes, you can.*

# Parts Catalogue Usage Guide

The information contained in this document is subject to change without notice. This catalogue contains service parts for Form No. 21\_131C. If you have any questions regarding this catalogue, please contact one of our Customer Service Representatives.

**For Customer Service Support Call:  
1-800-668-5324 or 1-905-890-8300**  
**For Faxed In Orders Call:  
1-800-668-5478 or  
1-905-890-5244**  
**For Technical Service Call:  
1-800-668-5324 x2655**  
**For Orders:  
canadaorders@invacare.com**  
**Literature: www.invacare.ca or 1-800-668-5324**

## SYMBOL DEFINITION

Throughout this catalog you will notice letters to draw your attention to specific footnotes which are located at the bottom of the page or below specified charts.

Examples:

A,B,C etc. = Special Comments  
NOTE: = General information pertaining to that specific page  
NLA = No Longer Available

## HARDWARE MEASUREMENTS

The measurements for the hardware will be listed as follows:

Screws, Bolts Diameter X Thread Count/Pitch X Length  
Washers Inside Diameter X Outside Diameter X Thickness  
Spacers Inside Diameter X Outside Diameter X Length

For your convenience, we have supplied an area for you to list your Invacare Representatives.

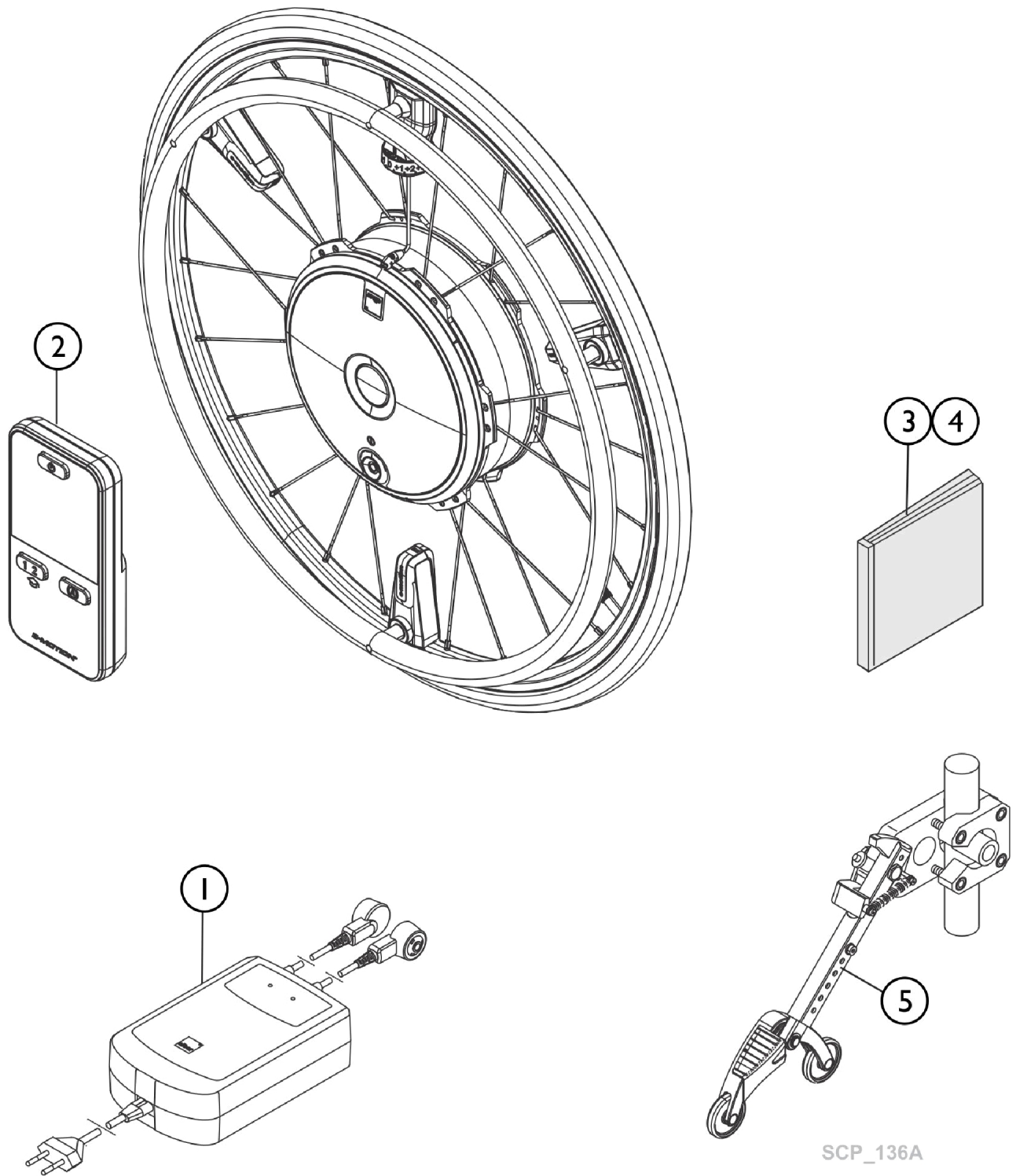
Name	Phone Numbers

© 2022 Invacare Corporation, Elyria, Ohio. Invacare, the Medallion Design and Yes, you can. are registered trademarks of the Invacare Corporation. Information is subject to change without notification.

# TABLE of CONTENTS

<b>Description</b>	<b>Page Number</b>
Accessories .....	17
Anti-Tippers until 2019 .....	11
Anti-Tippers with Jack-Up Function since 2020 .....	13
Bracket, Torque Receiver and Hardware .....	15
Main Components .....	3
Pushrim .....	9
Tires .....	5
Wheel .....	7

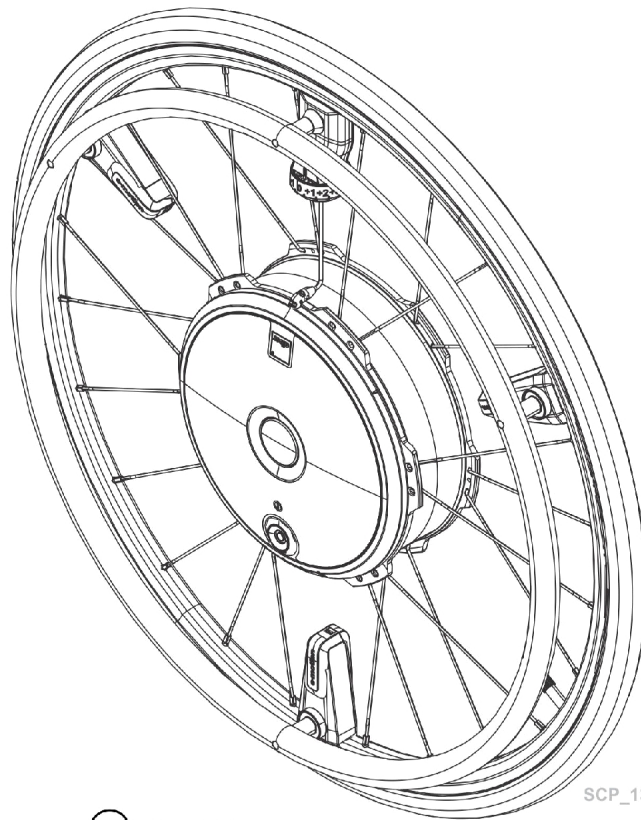
# Main Components



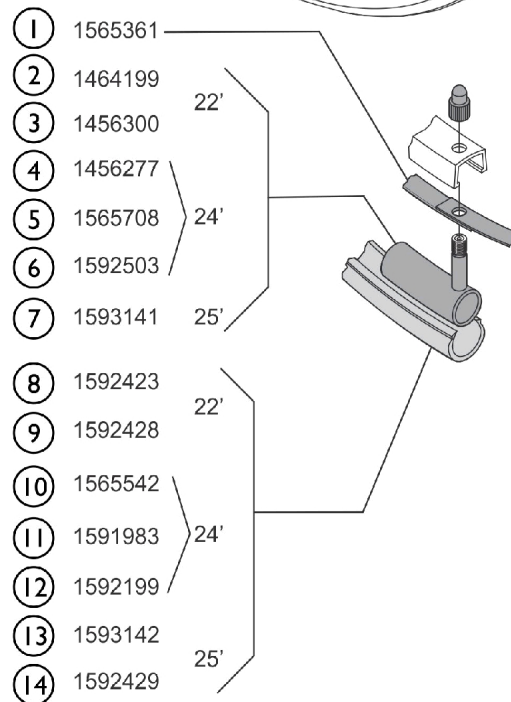
## Main Components

Item Number	Note	Part Number	Description	Quantity Per	
				Package	Assembly
1		1592086	Charger PS4810 for e-motion M25	1	--
2		1592486	ECS-Remote Control e-motion M25	1	--
3		1592714	Documentation Kit M25 German	1	--
4		1592715	Documentation Kit M25 multilingual	1	--
5		1593206	Anti-tippers with jack-up function (Pair) black	1	--

# Tires



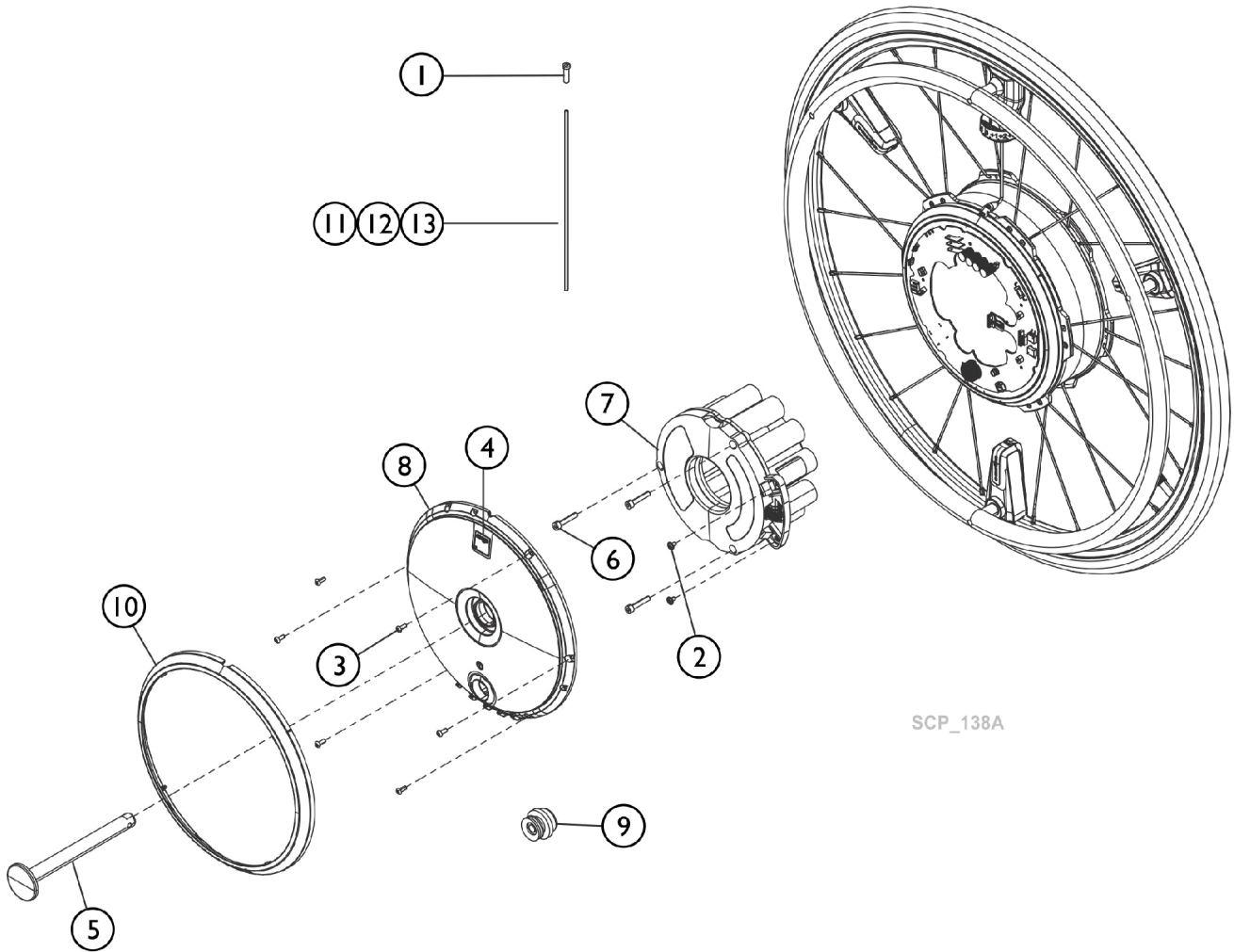
SCP\_137A



## Tires

Item Number	Note	Part Number	Description	Quantity Per	
				Package	Assembly
1		1565361	Rim tape 22-559	1	--
2		1464199	PU-Tube (airless) 22"	1	--
3		1456300	Tube 22 x 1" Schrader valve	1	--
4		1456277	Tube 24 x 1" Schrader valve	1	--
5		1565708	Tube (airless) 24" x 1.3/8" for C63 tire	1	--
6		1592503	PU massiv ProSpeed, 24"	1	--
7		1593141	Tube with Schrader valve (23-559 - Marathon Plus, 28-559 - Right Run)	1	--
8		1592423	Tire Rightrun 25-489 black	1	--
9		1592428	Tire punction proof 22" x 1-3/8"	1	--
10		1565542	Tire SmartGuard Marathon Plus Evo 25-540	1	--
11		1591983	Tire punction proof 24" x 1-3/8"	1	--
12		1592199	Tire Rightrun 25-540 black	1	--
13		1593142	Tire Rightrun 25 x 1.1" (28-559)	1	--
14		1592429	Tire Marathon Plus 25-559 black	1	--

# Wheel



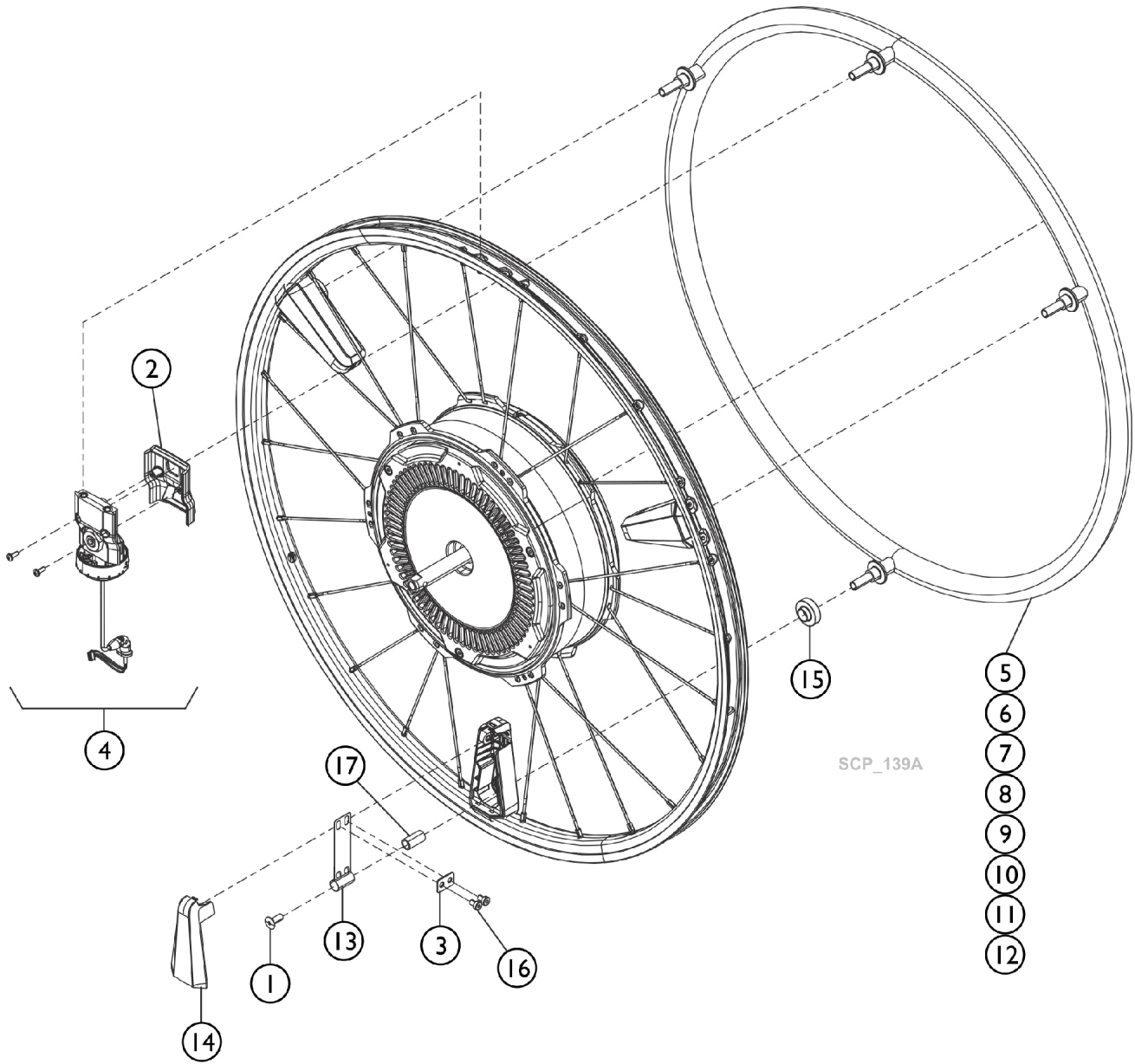
SCP\_138A



# Wheel

Item Number	Note	Part Number	Description	Quantity Per	
				Package	Assembly
1		1467215	Nipple: brass Polyax 14mm for 2mm spoke, silver	1	--
2		1467526	Talow drop screw Torx M 3 x 5 - 8.8	1	--
3		1467743	ISO 7380 - M 3 x 8 - 8.8 - ISR vz	1	--
4		1490801	Alber Logo 17 x 17mm	1	--
5		1593669	Stub axle e-motion M25 with signal ring	1	--
6		1565957	Cylinder-head screw (DIN 912) ISO 4762 M4x22-8.8 A2K	1	--
7		1591781	Battery (Corepack) M25 4,3Ah (red)	1	--
8		1592381	Cover mounted	1	--
9		1592420	Charging connector	1	--
10		1592588	Ring mounted	1	--
11		1592647	Spoke set M25 24 „consisting of 5 spokes + nipple	1	--
12		1592648	Spoke set M25 25" 2,0mm 5 spokes + nipples	1	--
13		1592827	Spoke set M25 22" 2,0mm	1	--

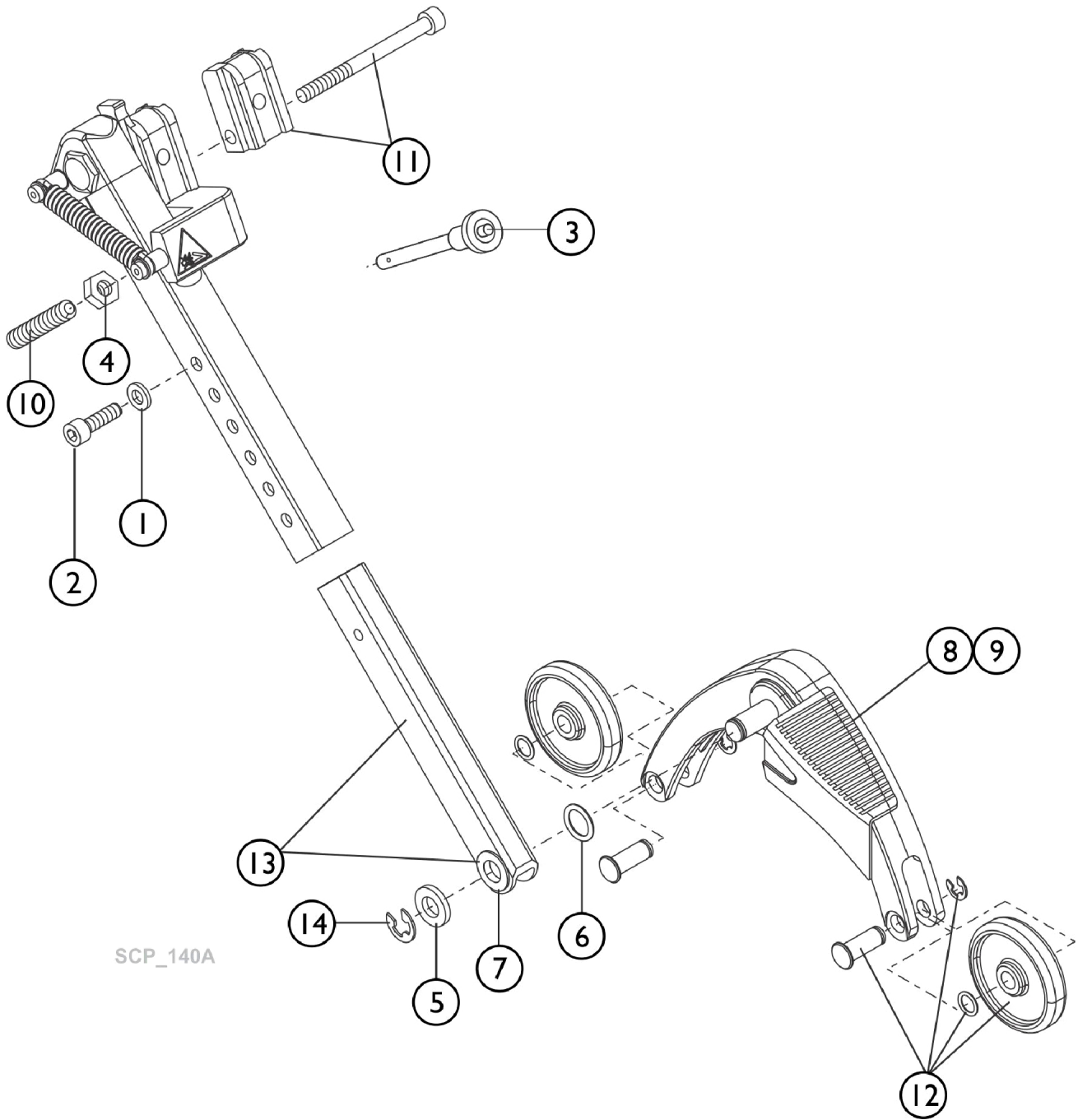
# Pushrim



# Pushrim

Item Number	Note	Part Number	Description	Quantity Per	
				Package	Assembly
1		1520684	Screw e-motion M15	1	--
2		1592156	Cover for Sensor	1	--
3		1592161	Support for Spring	1	--
4		1592164	Sensor mounted	1	--
5		1592215	Pushrim 24" Stainless steel	1	--
6		1592216	Pushrim 24" Stainless steel with coating	1	--
7		1592217	Pushrim 24" Carbolife Curve L	1	--
8		1592218	Pushrim 24"" Carbolife Quadro	1	--
9		1592246	Pushrim 22" Stainless steel	1	--
10		1592247	Pushrim 22" Stainless steel coated	1	--
11		1592253	Pushrim 25" stainless steel	1	--
12		1592254	Pushrim 25" Carbolive Curve L	1	--
13		1592416	Spring	1	--
14		1592417	Cover for bracket	1	--
15		1592934	Sliding washer for holder of pushrim	1	--
16		1593234	Screw DIN7984 M4x5	1	--
17		1520680	Bushing	1	--

# Anti-Tippers until 2019

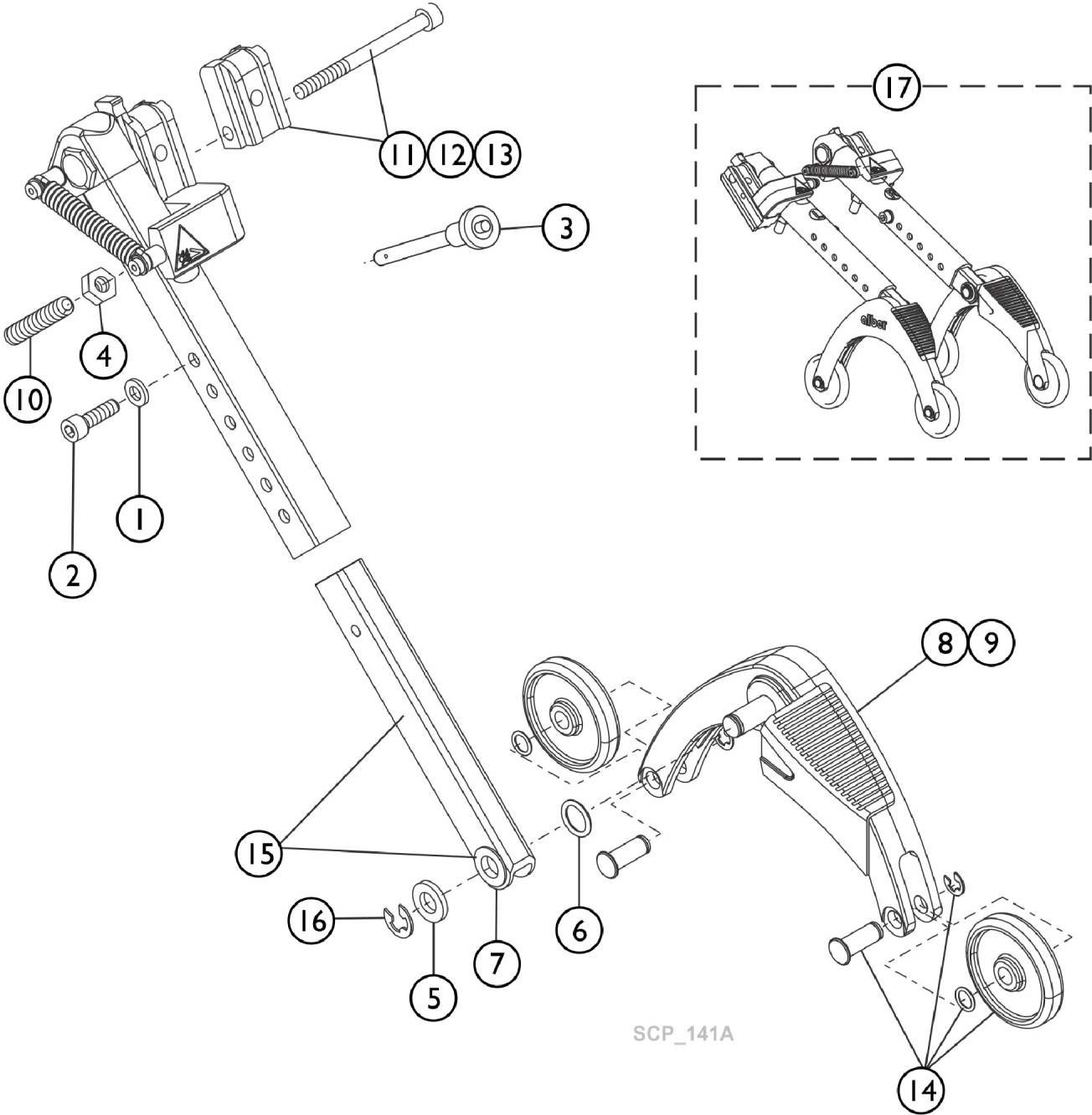


SCP\_140A

## Anti-Tippers until 2019

Item Number	Note	Part Number	Description	Quantity Per	
				Package	Assembly
1		1456183	Washer DIN 125 - A 6,4	1	--
2		1456233	Cylinder head screw M 6 x 20	1	--
3		1456406	Quickpin quick release bolt	1	--
4		1459636	Hexagon nut ISO 4032 - M8 vz	1	--
5		1459944	Washer DIN 988 - 10 x 16 x 1	1	--
6		1463698	DIN 988 - 10 x 16 x 0,3 - St	1	--
7		1467811	Friction bearing Igus form F GFM-1212-035	1	--
8		1467845	Support angle right for anti-tippers	1	--
9		1467846	Support angle left for anti-tippers	1	--
10		1467943	Threaded pin M 8 x 45 DIN 913 - 45 H	1	--
11		1489221	Hardware set for anti-tippers expanded version 4 x 12mm shoe inc. screws	1	--
12		1489365	Wheel for anti-tippers complete	1	--
13		1489366	Slide rod anti-tippers mounted	1	--
14		1519603	Securing disk DIN 6799-Gr.8 vz	1	--

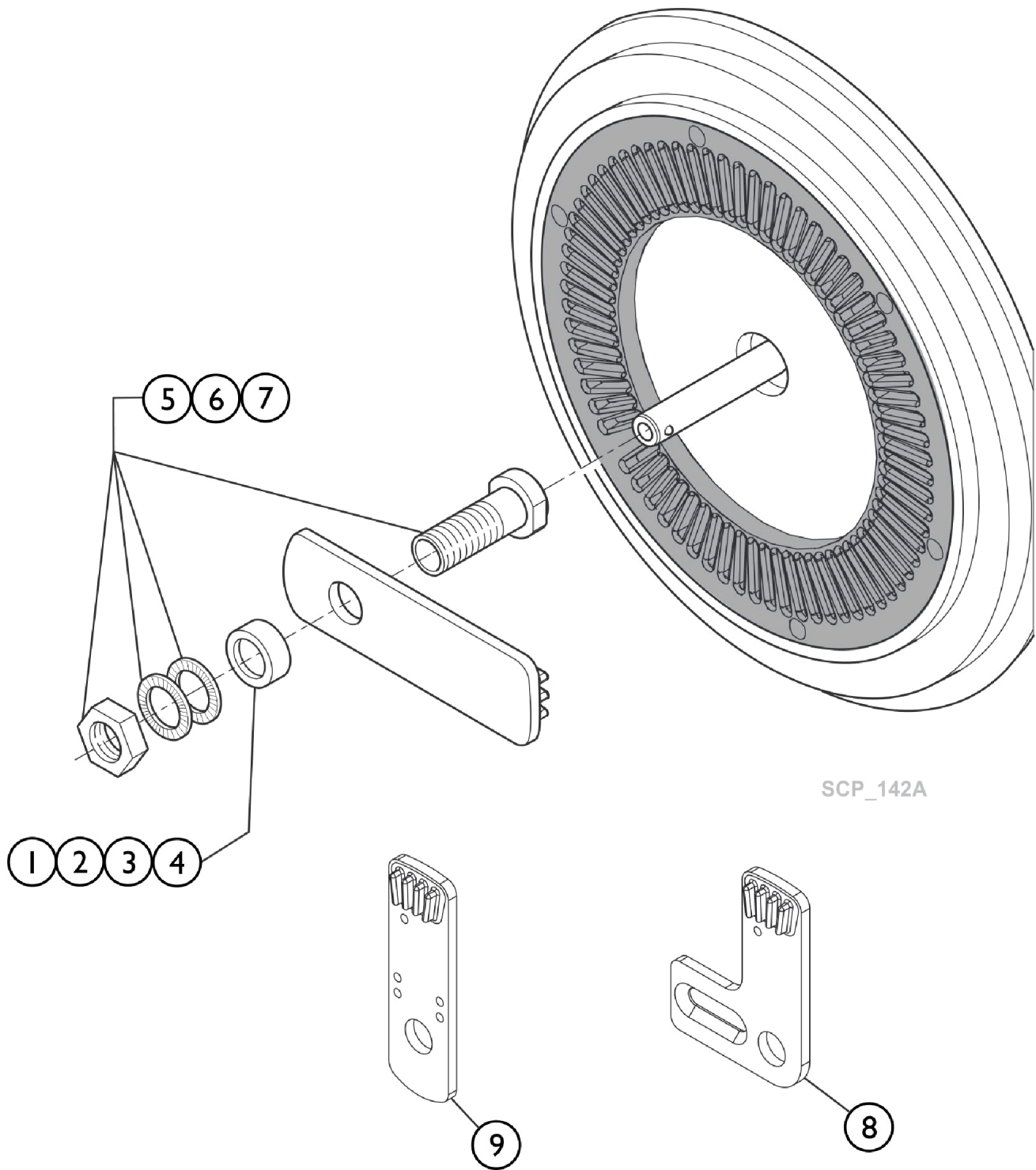
# Anti-Tippers with Jack-Up Function since 2020



## Anti-Tippers with Jack-Up Function since 2020

Item Number	Note	Part Number	Description	Quantity Per	
				Package	Assembly
1		1456183	Washer DIN 125 - A 6,4	1	--
2		1456233	Cylinder head screw M 6 x 20	1	--
3		1456406	Quickpin quick release bolt	1	--
4		1459636	Hexagon nut ISO 4032 - M8 vz	1	--
5		1459944	Washer DIN 988 - 10 x 16 x 1	1	--
6		1463698	DIN 988 - 10 x 16 x 0,3 - St	1	--
7		1467811	Friction bearing Igus form F GFM-1212-035	1	--
8		1467845	Support angle right for anti-tippers	1	--
9		1467846	Support angle left for anti-tippers	1	--
10		1467943	Threaded pin M 8 x 45 DIN 913 - 45 H	1	--
11		1489219	Hardware set A for anti-tippers small version 2 x 15mm shoe incl. screws	1	--
12		1489220	Hardware set for anti-tippers expanded version 4 x 15mm shoe incl. screws	1	--
13		1489221	Hardware set for anti-tippers expanded version 4 x 12mm shoe inc. screws	1	--
14		1489365	Wheel for anti-tippers complete	1	--
15		1489366	Slide rod anti-tippers mounted	1	--
16		1519603	Securing disk DIN 6799-Gr.8 vz	1	--
17		1593206	Anti-tippers with jack-up function (Pair) black	2	--

# Bracket, Torque Receiver and Hardware

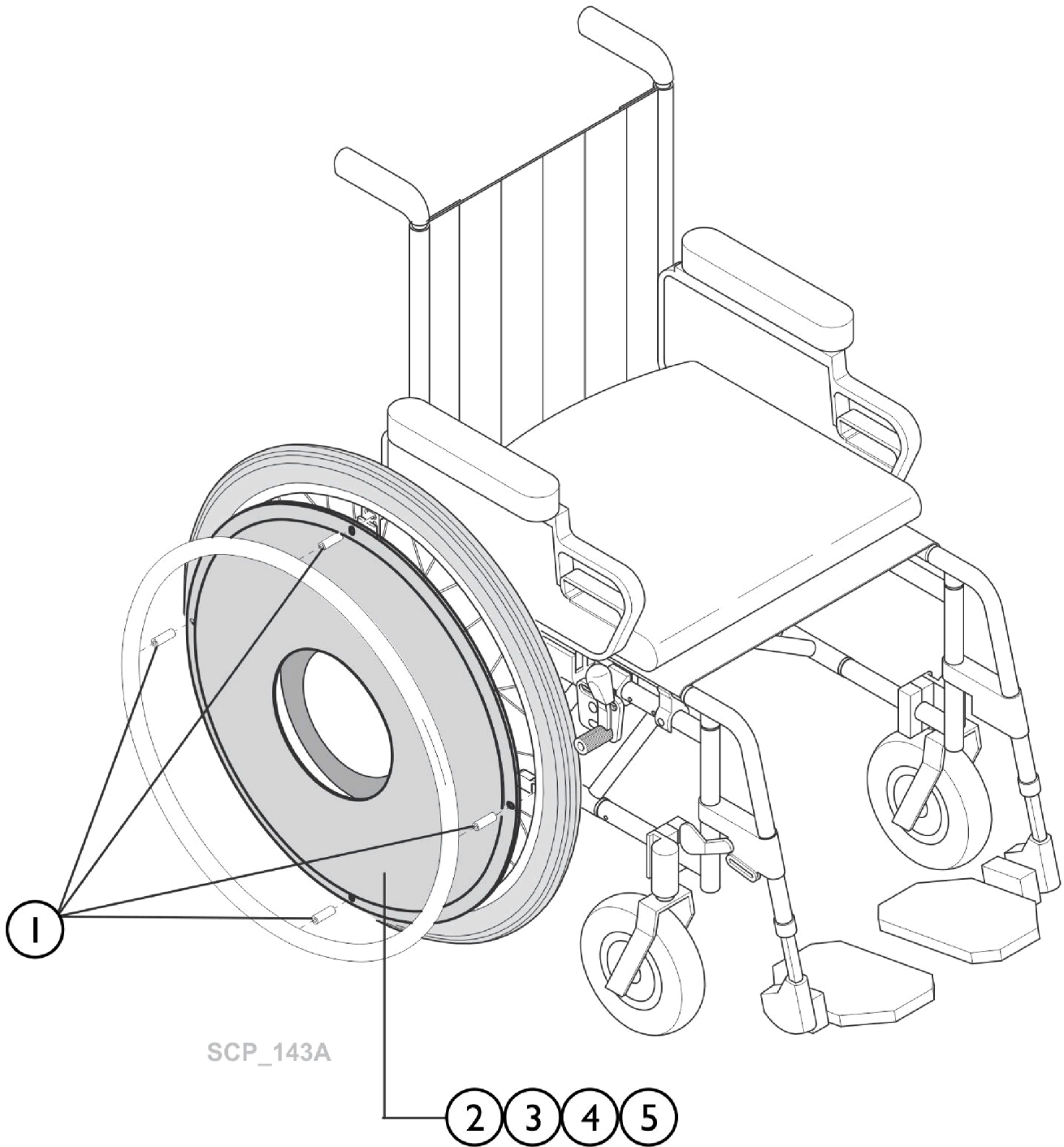




## Bracket, Torque Receiver and Hardware

Item Number	Note	Part Number	Description	Quantity Per	
				Package	Assembly
1		1456811	Spacer ring aluminium 25 x 17 x 16 long	1	--
2		1456812	Spacer ring aluminium 25 x 17 x 10 long	1	--
3		1456813	Spacer ring aluminium 25 x 17 x 8 long	1	--
4		1456814	Spacer ring aluminium 25 x 17 x 5 long	1	--
5		1463606	Adapter sleeve 1/2" Length 50.8mm inclusive Nord-Lock washer and nut	1	--
6		1463607	Adapter sleeve 1/2" Length 30.8mm inclusive Nord-Lock washer and nut	1	--
7		1463608	Adapter sleeve 1/2" Length 48.0mm inclusive Nord-Lock washer and nut	1	--
8		1565787	Torque receiver twion/emotion M25 with angle (pair)	1	--
9		1565788	Torque receiver twion/emotion M25 straight (pair)	1	--

# Accessories



## Accessories

Item Number	Note	Part Number	Description	Quantity Per	
				Package	Assembly
1		1456586	Spoke cover attachment nipple	1	--
2		1592762	Spoke cover with decor 22" no nipple e-motion M25	1	--
3		1592763	Spoke cover with decor 24" no nipple e-motion M25	1	--
4		1592764	Spoke cover with decor 25" no nipple	1	--
5		1592765	Spoke cover with decor 24" no nipple e-motion M25	1	--
	A	1592266	Spoke cover with decor 22" for e-motion M25	1	--
	A	1592268	Spoke cover with decor 24" for e-motion M25	1	--
	A	1592269	Spoke cover with decor 25" fro e-motion M25	1	--
	A	1592553	Spoke cover without decor 24" for e-motion M25	1	--

NOTE: A - Accessories not shown

**Invacare Canada L.P.**

[www.invacare.ca](http://www.invacare.ca)



**Yes, you can.**

570 Matheson Blvd E;8  
Mississauga, Ontario,  
L4Z 4G4 Canada  
800-668-5324

Technical Support  
8006685324 x2655  
Customer Service  
800-668-5324

Literature  
800-668-5324

© 2022 All rights reserved. Trademarks are identified by the symbols <sup>TM</sup>, SM and ©. All trademarks are owned by or licensed to Invacare Corporation unless otherwise noted. Specifications are subject to change without notification.  
(Revised 02/14/22)

Form No. 21\_131C