

Aquatec® Series Shower Commodes and Bath Lifts - United States



Yes, you can.

Parts Catalog Usage Guide

The information contained in this document is subject to change without notice. This catalog contains service parts for Form No. 21_081. If you have any questions regarding this catalog, please contact one of our Customer Service Representatives.

For Customer Service Support Call:

1-800-333-6900

For Faxed In Orders Call:

1-800-678-4682 or

1-440-366-0709

For Technical Service Call:

1-800-832-4707

Literature Can Be Found at:

www.invacare.com or

1-800-828-6272

SYMBOL DEFINITION

Throughout this catalog you will notice letters to draw your attention to specific footnotes which are located at the bottom of the page or below specified charts.

Examples:

A,B,C etc. = Special Comments

NOTE: = General information pertaining to that specific page

NLA = No Longer Available

HARDWARE MEASUREMENTS

The measurements for the hardware will be listed as follows:

Screws, Bolts Diameter X Thread Count/Pitch X Length

Washers Inside Diameter X Outside Diameter X Thickness

Spacers Inside Diameter X Outside Diameter X Length

For your convenience, we have supplied an area for you to list your Invacare Representatives.

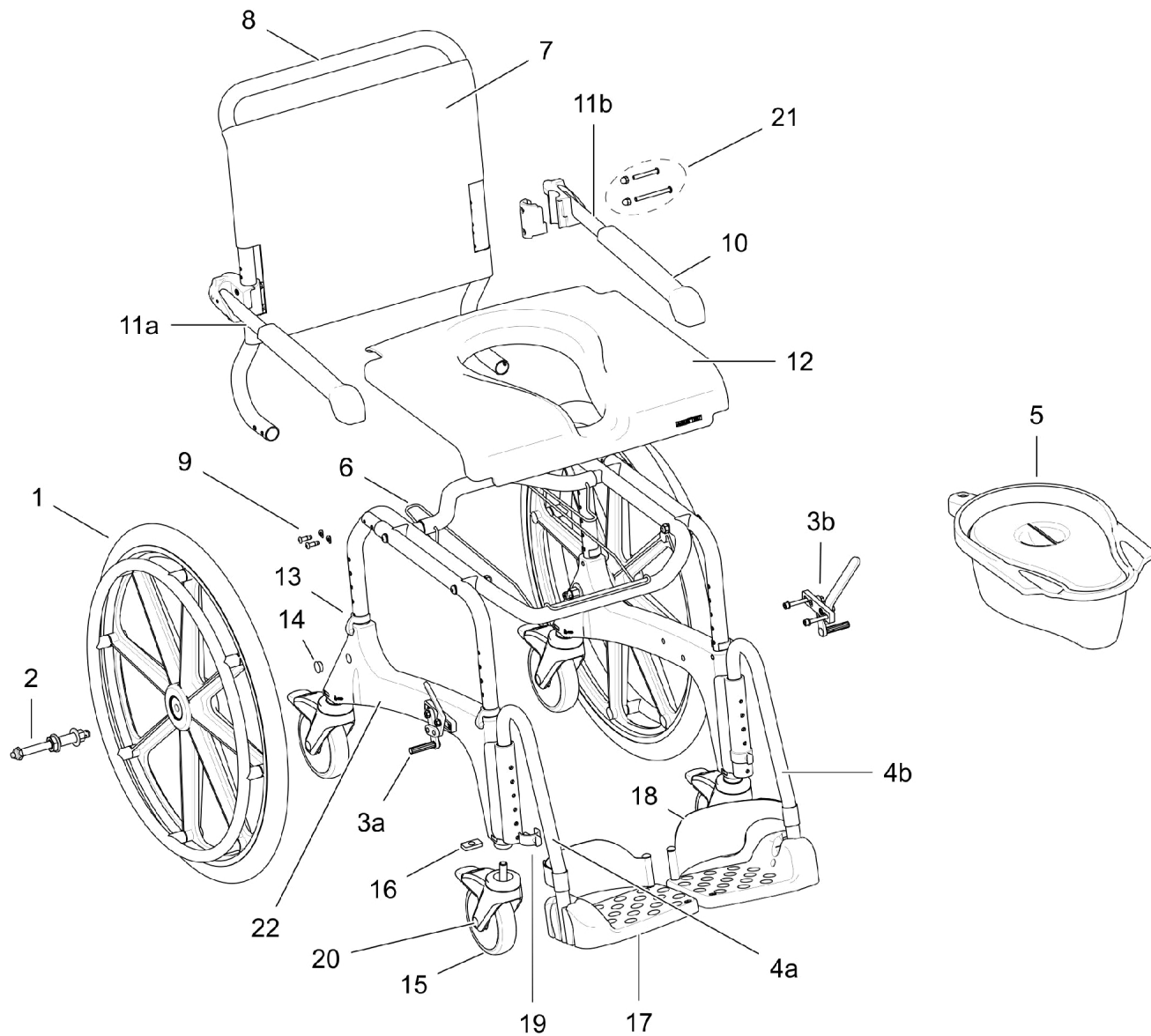
Name	Phone Numbers

© 2022 Invacare Corporation, Elyria, Ohio. Invacare, the Medallion Design and Yes, you can. are registered trademarks of the Invacare Corporation. Information is subject to change without notification.

TABLE of CONTENTS

Description	Page Number
Aquatec Ocean Shower Commode	3
Aquatec Ocean Shower Commode Accessories	7
Aquatec Ocean XL Shower Commode	5
Aquatec Orca Bath Lift	9
Aquatec Orca Bath Lift Accessories	11
Aquatec Orca F Bath Lift	17
Aquatec Orca F Bath Lift Accessories	19
Aquatec Orca XL Bath Lift	13
Aquatec Orca XL Bath Lift Accessories	15

Aquatec Ocean Shower Commode

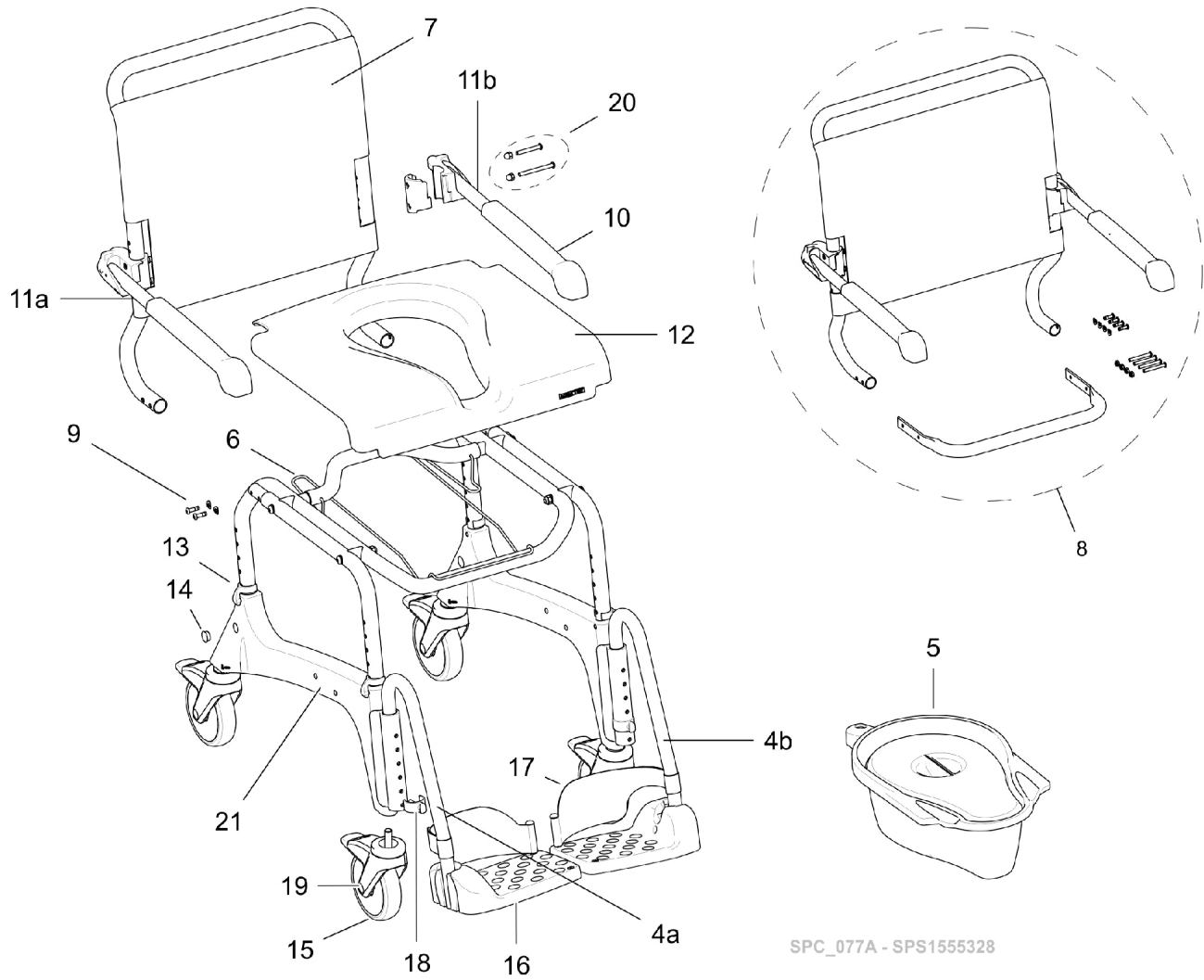


SPC_075A - SPS1542894

Aquatec Ocean Shower Commode

Item Number	Note	Part Number	Description	Quantity Per	
				Package	Assembly
1		16336	24 In Wheel W / Handrim for Ocean/Ergo SP	1	2
2		16418	Cpl Set Hub and QR Axle (16338 and 16337)	1	2
1-2		16379	Self Propelling Wheels Kit complete including brakes	1	1
3a		16340	Rt. Brk. Lever Ocean / Ergo Commodes	1	1
3b		16339	Lt. Brk. Lever - Ocean / Ergo Commodes	1	1
4a	A	SP1643542	Footrest cpl., Right - Ocean (XL) / VIP / Ocean Ergo Series	1	1
4b	B	SP1643541	Footrest cpl., Left - Ocean (XL) / (Dual-)VIP / Ocean Ergo Series	1	1
5		10230	Collection Pan with Lid	1	1
9		1542900	Bkrst Hdwr. - Ergo / Ocean (Dual-)VIP / XL	1	1
10		16472	Armrest Pads Incl. Screws Kit	1	2
11a		1470693	Armrest assembly, Right	1	1
11b		1470694	Armrest Assembly Left	1	1
13		16256	Side Frame Adj. Clip	1	1
15		16259	Caster, Locking, Red Tab	1	4
17		1470689	Footrest Plate	1	2
18		16334	Heel Loop (Pair)	2	1
21		1471052	Ocean Armrest Kit Parts	1	1
NOTE: A - Replaces 1470696 B - Replaces 1470695					
Items not listed are non-saleable					

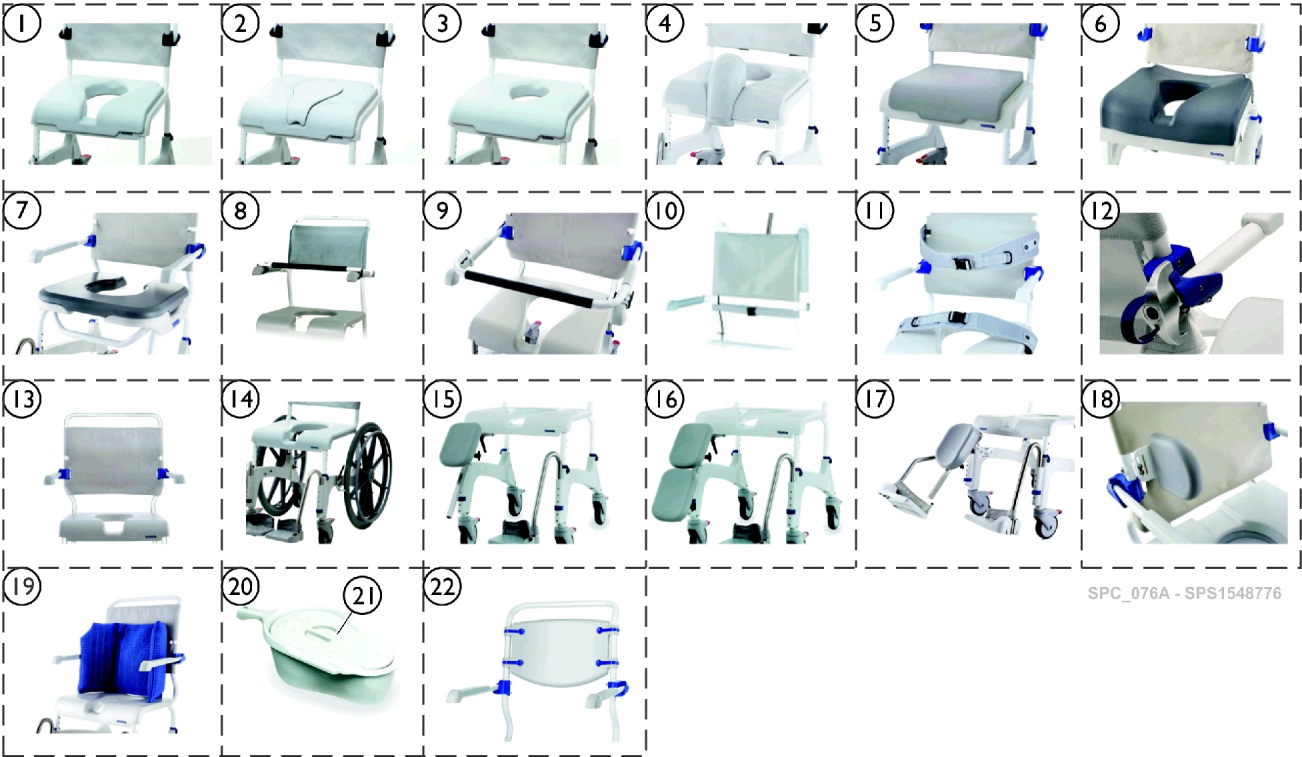
Aquatec Ocean XL Shower Commode



Aquatec Ocean XL Shower Commode

Item Number	Note	Part Number	Description	Quantity Per	
				Package	Assembly
4a	A	SP1643542	Footrest cpl., Right - Ocean (XL) / VIP / Ocean Ergo Series	1	1
4b	B	SP1643541	Footrest cpl., Left - Ocean (XL) / (Dual-)VIP / Ocean Ergo Series	1	1
5		10230	Collection Pan with Lid	1	1
7		1528289	Cover, Backrest, Ocean Facelift (After July 2011)	1	1
9		1542900	Bkrst Hdwr. - Ergo / Ocean (Dual-)VIP / XL	1	1
10		16472	Armrest Pads Incl. Screws Kit	1	2
11a		1470693	Armrest assembly, Right	1	1
11b		1470694	Armrest Assembly Left	1	1
13		16256	Side Frame Adj. Clip	1	4
15		16259	Caster, Locking, Red Tab	1	4
16		1470689	Footrest Plate	1	2
17		16334	Heel Loop (Pair)	1	2
20		1471052	Ocean Armrest Kit Parts	2	2
NOTE: A - Replaces 1470696 B - Replaces 1470695 Items not listed are non-saleable					

Aquatec Ocean Shower Commode Accessories

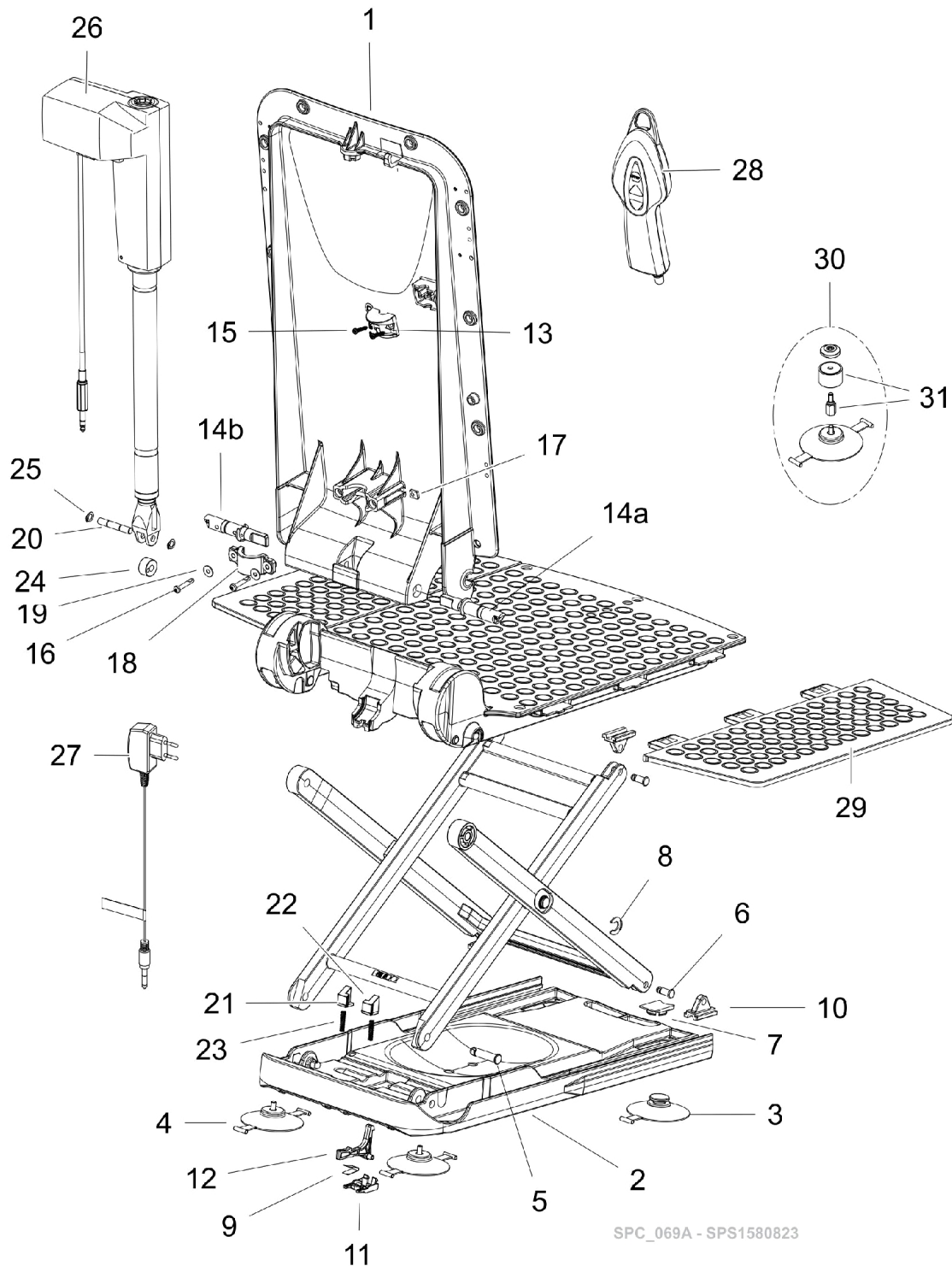


SPC_076A - SPS1548776

Aquatec Ocean Shower Commode Accessories

Item Number	Note	Part Number	Description	Quantity Per	
				Package	Assembly
1		16341	Soft Seat w/ Key Cut	1	1
7		1544469	Variable soft seat cpl. - Ocean / VIP / Ergo Series	1	1
7		1545659	Clip, Variable Softseat	1	2
8		10167-10	Safety Support Bar	1	1
9		1470078	Safety Support Bar , curved	1	1
11		1470081	Chest Belt Padded w/ Stainless Hardware	1	1
11		1470082	Pelvis Belt Padded w/Stainless Hardware	1	1
12		1470077	Armrest lock (pair)	2	1
14		16379	Self Propelling Wheels Kit complete including brakes	2	1
15	A	AP1643574	Thigh support, left - Ocean / Ocean Ergo Series	1	1
15	B	AP1643573	Thigh support, right - Ocean / Ocean Ergo Series	1	1
17	C	AP1643572	Legrest Cpl., left - Ocean / Ocean Ergo Series	1	1
17	D	AP1643543	Legrest Cpl., right - Ocean / Ocean Ergo Series	1	1
18		1535077	Back Lateral (EA)	1	1
19		1558769	Soft cushion w/cover blue - Ocean / Ocean Ergo Series	1	1
20		10230	Collection Pan with Lid	1	1
22		1575299	Ocean Contour Hygienic Fixed Back Support	1	1
NOTE: A - Replaces 1556894 B - Replaces 1556893 C - Replaces 1546705 D - Replaces 1546439 Items not listed are non-saleable					

Aquatec Orca Bath Lift



SPC_069A - SPS1580823

Aquatec Orca Bath Lift

Item Number	Note	Part Number	Description	Quantity Per	
				Package	Assembly
		16606	Cover, Seat, White	1	1
		1470765	Cover, Seat, Blue	1	1
		16604	Cover, Backrest, White	1	1
		1470766	Cover, Backrest, Blue	1	1
		1470576	Cover Set, Seat and Backrest, White	1	1
		1470767	Cover Set, Seat and Backrest, Blue	1	1
3		15072	Cups, Suction with Toggle (Pair)	1	1
3-4		15353	Cups, Suction, Screw-In and Toggle (Set) (8 cm)	1	1
4		15071	Cups, Suction, Screw-in (Pair)	1	1
11		16448	Latch, Bushing	1	1
12		16449	Latch	1	1
15		15348	Screws, Phone Jack (40 x 22)	1	1
20		16793	Axle	1	1
21		16791	Locking - Left	1	1
22		16792	Locking - Right	1	1
23		16794	Pressure Spring for Locking	1	1
24		16450	Pulley	1	1
25		16456	Ring, Retaining, A2	1	1
26		16782	Actuator, Aquatec R	1	1
28		1470902	Hand Control, Complete	1	1
29		15892	Flap, Side with Film Hinge	1	1
30		15170	Kit, Conversion Height Adapter (2 cm)	4	1
31		14694	Adapters, Height (Set)	4	1

Items not listed are non-saleable

Aquatec Orca Bath Lift Accessories



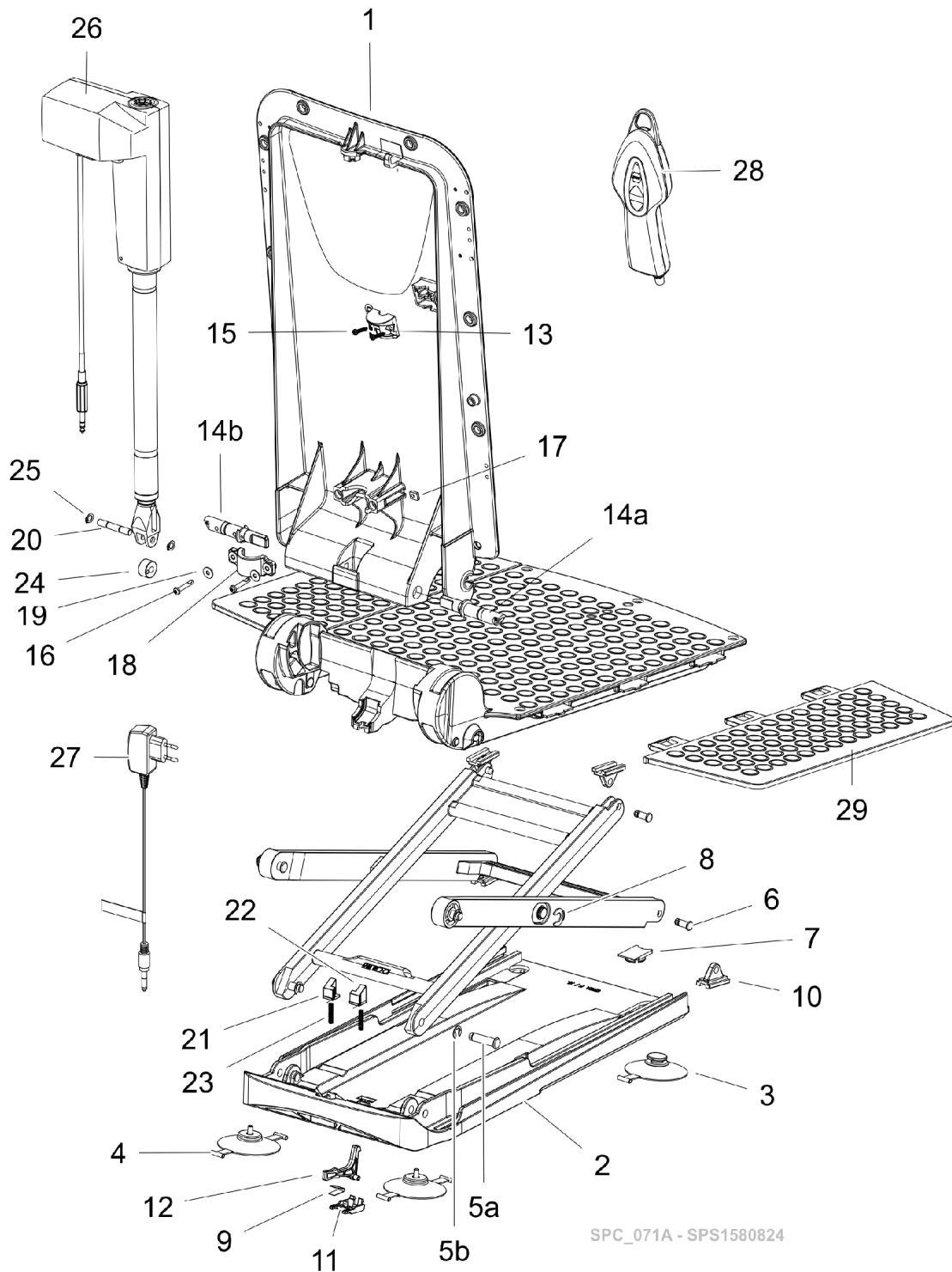
SPC_070A - SPS1515204

Aquatec Orca Bath Lift Accessories

Item Number	Note	Part Number	Description	Quantity Per	
				Package	Assembly
1		1471567	Cover, Backrest w/ Laterals SPRS, Blue	1	1
2		15461	Head support white, adjustable	1	1
3		1471606-NLA	NLA - Sideflap, Aquatec	1	1
5		15170	Kit, Conversion Height Adapter (2 cm)	4	1
5		14694	Adapters, Height (Set)	4	1
6		1528702	Belt Orca, New Bodypoint	1	1
7		15309	Sideflap Diverter	1	1
8		14586AQT	Carrier bag for all aquatec battery driven bathlifts	1	1
9		1525932	Pommel for Aquatec bathlifters - 7 cm	1	1
9		1525933	Pommel for Aquatec bathlifters - 12 cm	1	1

Items not listed are non-saleable

Aquatec Orca XL Bath Lift

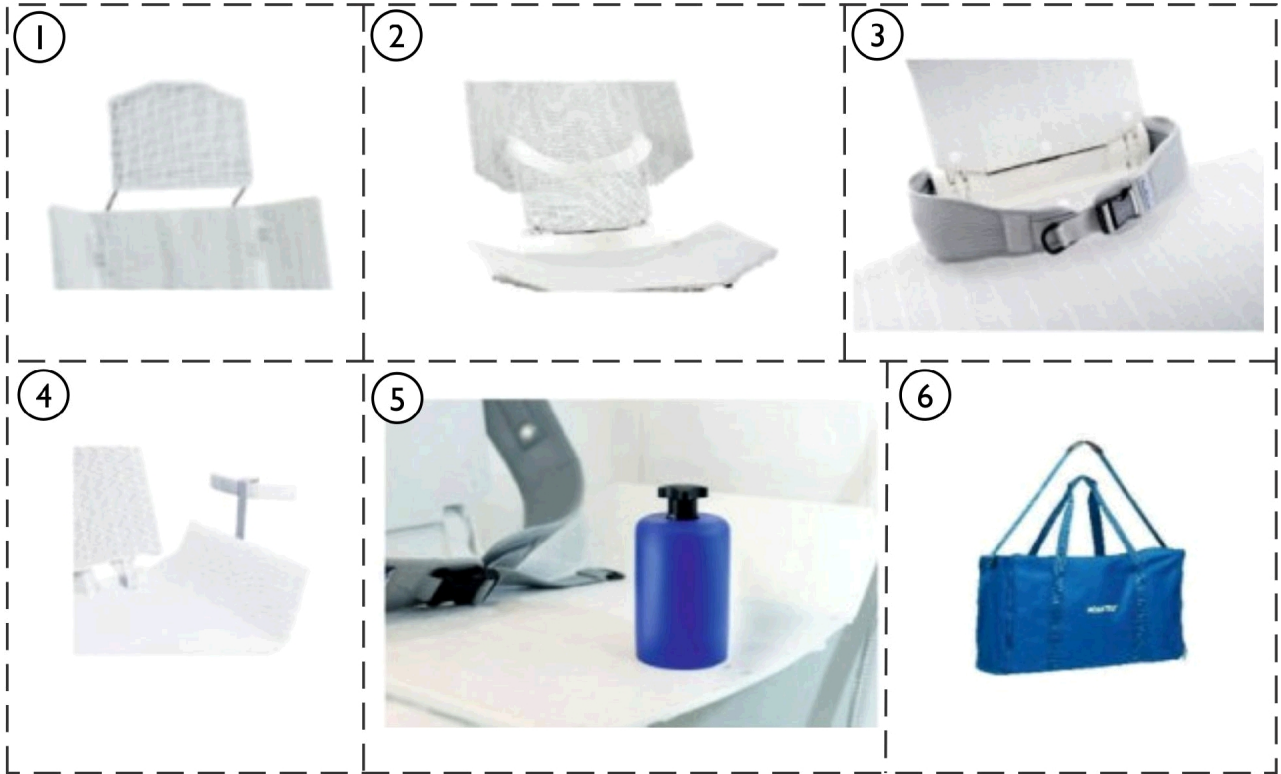


SPC_071A - SPS1580824

Aquatec Orca XL Bath Lift

Item Number	Note	Part Number	Description	Quantity Per	
				Package	Assembly
		1470576	Cover Set, Seat and Backrest, White	1	1
		1470767	Cover Set, Seat and Backrest, Blue	1	1
		16606	Cover, Seat, White	1	1
		1470765	Cover, Seat, Blue	1	1
		16604	Cover, Backrest, White	1	1
		1470766	Cover, Backrest, Blue	1	1
		1471567	Cover, Backrest w/ Laterals SPRS, Blue	1	1
3		15072	Cups, Suction with Toggle (Pair)	1	1
4		15071	Cups, Suction, Screw-in (Pair)	1	1
3-4		15353	Cups, Suction, Screw-In and Toggle (Set) (8 cm)	1	1
9		15415	Spring	1	1
11		16448	Latch, Bushing	1	1
12		16449	Latch	1	1
21		16791	Locking - Left	1	1
22		16792	Locking - Right	1	1
23		16794	Pressure Spring for Locking	1	1
24		16450	Pulley	1	1
25		16456	Ring, Retaining, A2	1	1
26		1471062	Actuator, Aquatec XL	1	1
28		1470902	Hand Control, Complete	1	1
29		15892	Flap, Side with Film Hinge	1	1
Items not listed are non-saleable					

Aquatec Orca XL Bath Lift Accessories



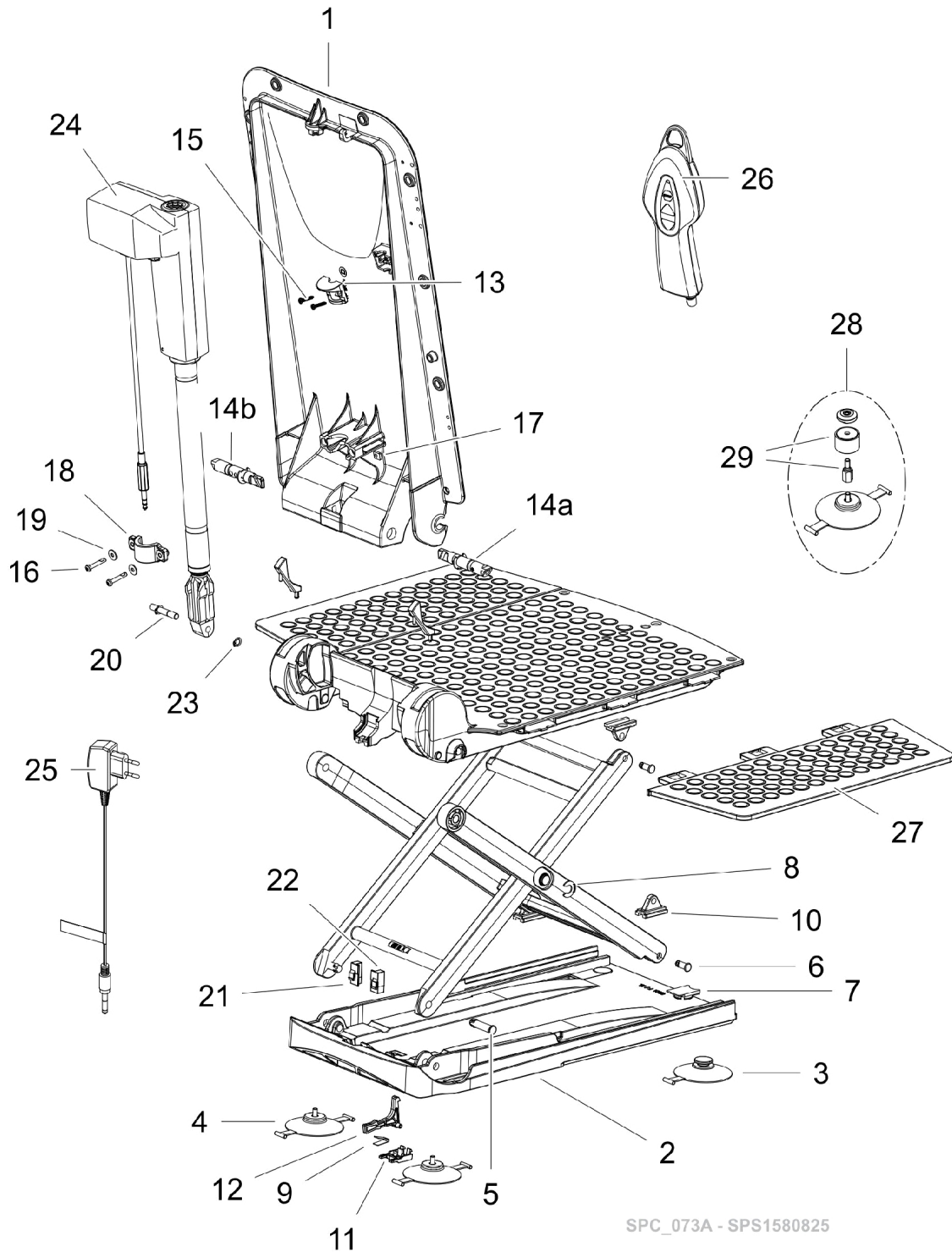
SPC_072A - SPS1522670

Aquatec Orca XL Bath Lift Accessories

Item Number	Note	Part Number	Description	Quantity Per	
				Package	Assembly
1		15461	Head support white, adjustable	1	1
3		1528702	Belt Orca, New Bodypoint	1	1
4		15309	Sideflap Diverter	1	1
5		1525932	Pommel for Aquatec bathlifters - 7 cm	1	1
5		1525933	Pommel for Aquatec bathlifters - 12 cm	1	1
6		14586AQT	Carrier bag for all aquatec battery driven bathlifts	1	1

Items not listed are non-saleable

Aquatec Orca F Bath Lift



SPC_073A - SPS1580825

Aquatec Orca F Bath Lift

Item Number	Note	Part Number	Description	Quantity Per	
				Package	Assembly
		1470576	Cover Set, Seat and Backrest, White	1	1
		1470767	Cover Set, Seat and Backrest, Blue	1	1
		16606	Cover, Seat, White	1	1
		1470765	Cover, Seat, Blue	1	1
		16604	Cover, Backrest, White	1	1
		1470766	Cover, Backrest, Blue	1	1
3		15072	Cups, Suction with Toggle (Pair)	1	1
4		15071	Cups, Suction, Screw-in (Pair)	1	1
3-4		15353	Cups, Suction, Screw-In and Toggle (Set) (8 cm)	1	1
		16240AQT	Suction Cup, Black (130mm) (Pkg. of 4)	4	1
9		15415	Spring	1	1
11		16448	Latch, Bushing	1	1
12		16449	Latch	1	1
20		16793	Axle	1	1
23		16456	Ring, Retaining, A2	1	1
24		1471060	Actuator, Aquatec F	1	1
26		1470902	Hand Control, Complete	1	1
27		15892	Flap, Side with Film Hinge	1	1
28		15170	Kit, Conversion Height Adapter (2 cm)	4	1
29		14694	Adapters, Height (Set)	4	1

Items not listed are non-saleable

Aquatec Orca F Bath Lift Accessories



SPC_074A - SPS1522668

Aquatec Orca F Bath Lift Accessories

Item Number	Note	Part Number	Description	Quantity Per	
				Package	Assembly
1		15461	Head support white, adjustable	1	1
2		1471606-NLA	NLA - Sideflap, Aquatec	1	1
4		15170	Kit, Conversion Height Adapter (2 cm)	4	1
4		14694	Adapters, Height (Set)	4	1
5		1528702	Belt Orca, New Bodypoint	1	1
6		15309	Sideflap Diverter	1	1
7		14586AQT	Carrier bag for all aquatec battery driven bathlifts	1	1
8		1525932	Pommel for Aquatec bathlifters - 7 cm	1	1
8		1525933	Pommel for Aquatec bathlifters - 12 cm	1	1

Items not listed are non-saleable

Invacare Corporation

www.invacare.com



Yes, you can.

One Invacare Way
Elyria, Oh USA
44036-2125
800-333-6900

Technical Support
800-832-4707
Customer Service
800-333-6900

Literature Orders
800-333-6900

© 2022 Invacare Corporation. All rights reserved. Republication, duplication or modification in whole or in part is prohibited without prior written permission from Invacare. Trademarks are identified by ™ and ®. All trademarks are owned by or licensed to Invacare Corporation or its subsidiaries unless otherwise noted. (Revised 10/14/22)

Form No. 21_081