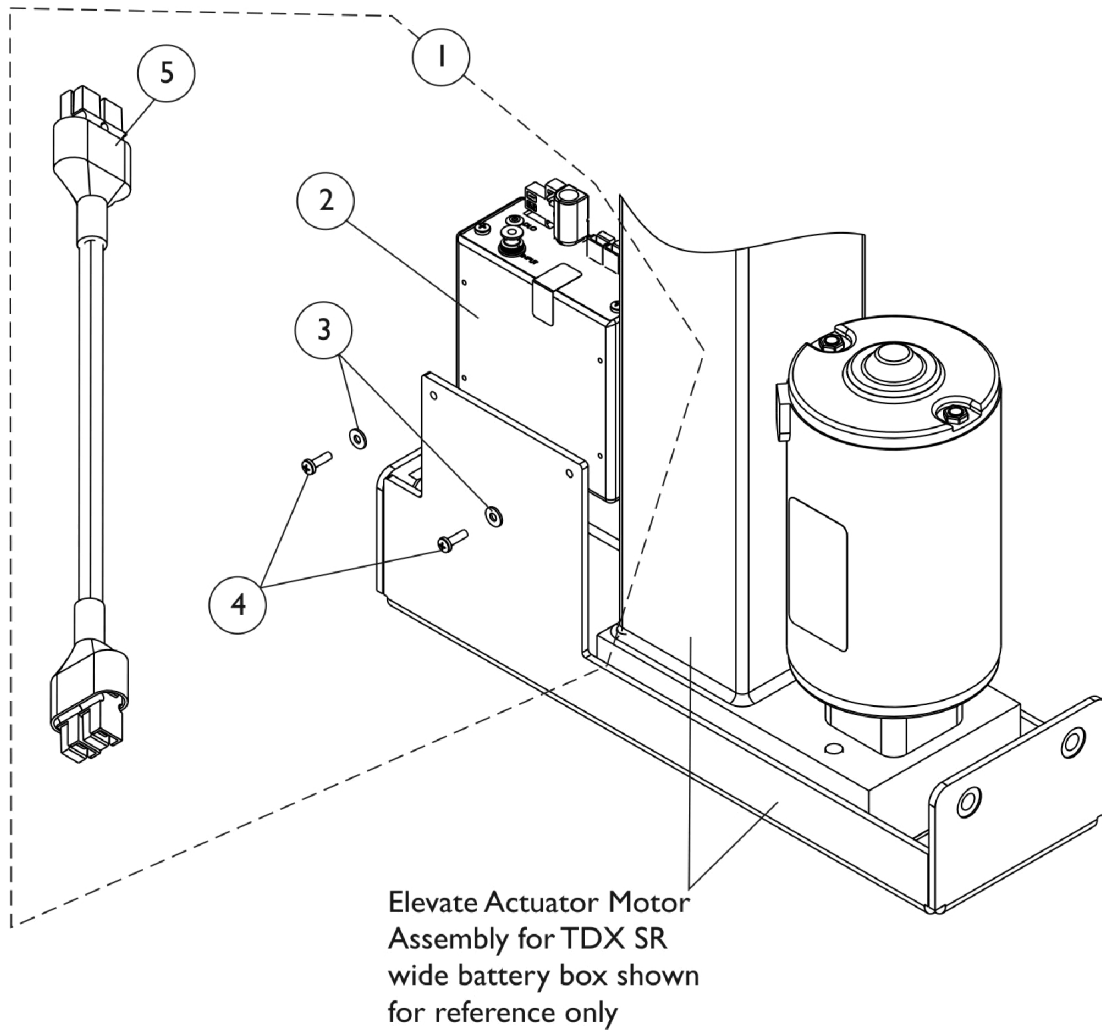


Elevate Integrated Actuator Module (EIAM) For TDX SR with Formula CGE



Item Number	Note	Part Number	Description	Quantity Per	
				Package	Assembly
1	A	1149786	Kit, MK6i EIAM with Mounting Hardware	1	1
2			Module, Elevate Integrated Actuator (EIAM) - MK6i (54" L)	1	1
3			NLA - Washer, Plain (1/8 x 5/16 x 1/32")	1	2
4			NLA - Screw, Phillips Pan Head (#4-40 x 3/8")	1	2
5			Cable, Actuator Jumper Adapter (MK6i)	1	1
3		1011011-NLA	NLA - Washer, Plain (1/8 x 5/16 x 1/32")	1	2
4		1027704-NLA	NLA - Screw, Phillips Pan Head (#4-40 x 3/8")	1	2
5		1145414	Cable, Actuator Jumper Adapter (MK6i)	1	1

NOTE: A - Includes items 2-5