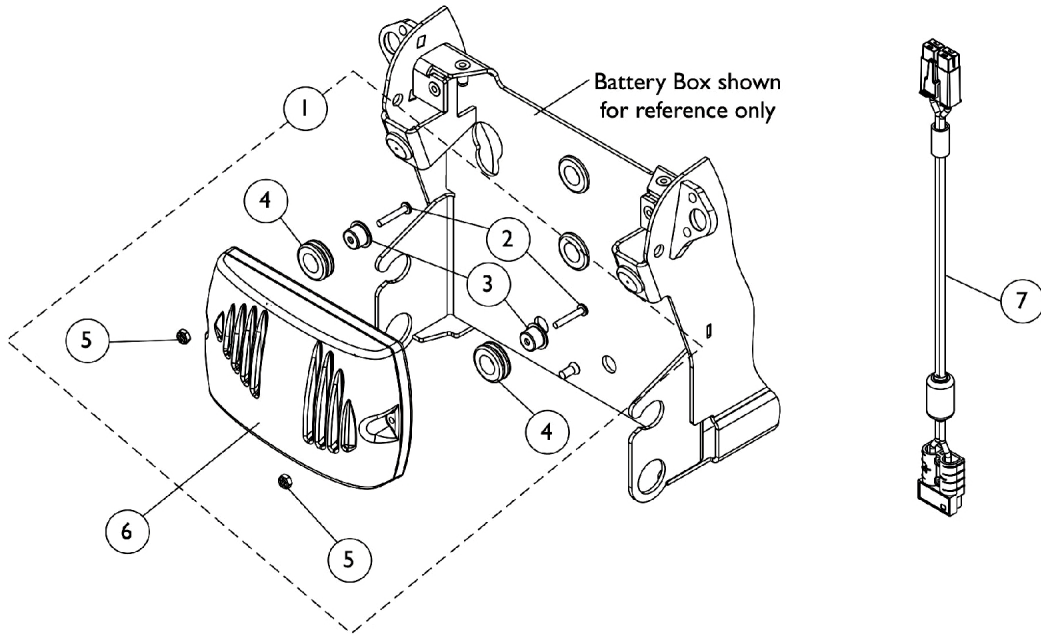
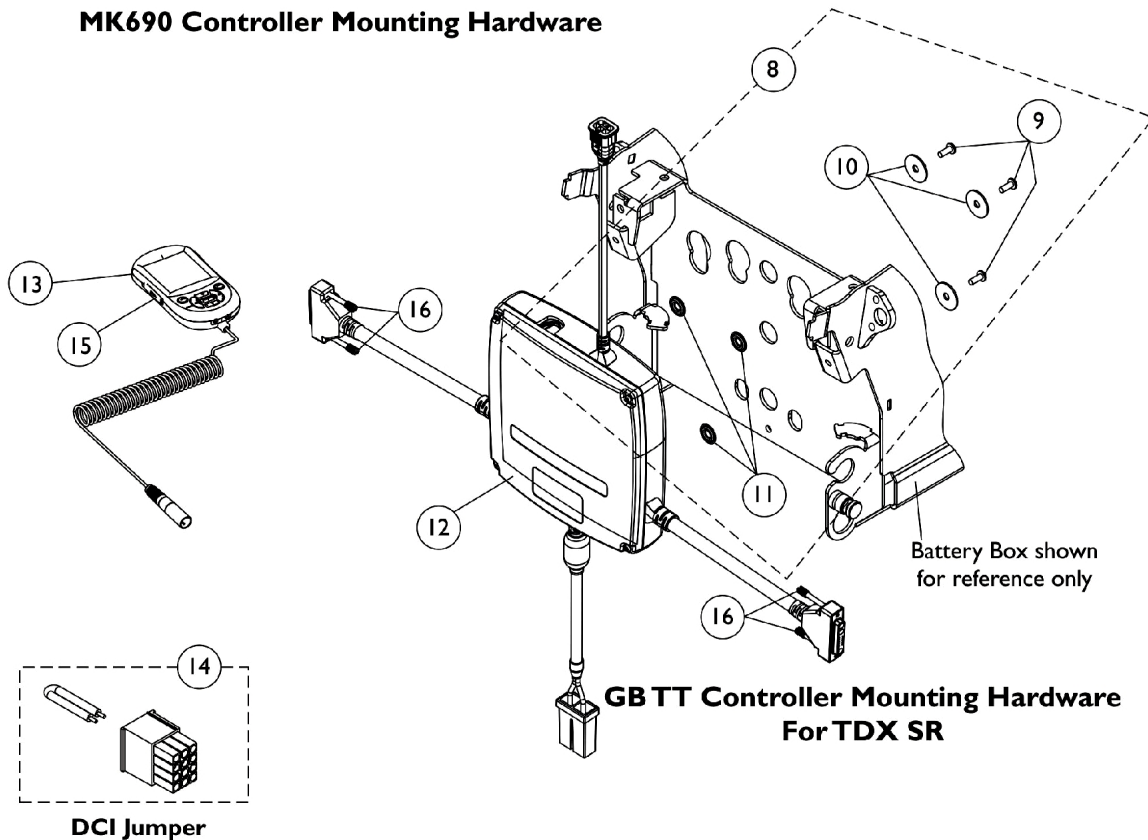


Controller, Programmer, and Mounting Hardware - TDX SP/SR

To order a Rear Shroud that covers the Battery Box and Controller, refer to the TDX SP/SR Power Wheelchair parts catalog. See page titled "Shrouds and Hardware".



MK690 Controller Mounting Hardware



Controller, Programmer, and Mounting Hardware - TDX SP/SR

To order a Rear Shroud that covers the Battery Box and Controller, refer to the TDX SP/SR Power Wheelchair parts catalog. See page titled "Shrouds and Hardware".

Item Number	Note	Part Number	Description	Quantity Per	
				Package	Assembly
1	A	1145070	Kit, Controller Mounting Hardware	1	1
2			Screw, Phillips Pan Head (#8-32 x 1")	1	2
3			Bushing	1	2
4			Grommet, Rubber (9/16 ID x 1-1/16 OD x 3/8")	1	2
5			Locknut (#8-32)	1	2
6	C	1136897	Controller, MK690	1	1
6	D,D1	1136898	Controller, MK690 w/ ACC	1	1
6	F	1148360-NLA	NLA - Controller, MK690 w/ ACC	1	1
7		60102824	Kit, Cable, Battery Extension	1	1
8	G	1149352	NLA - Kit, GB TT CWD Controller Mounting Hardware	1	1
9			Screw, Phillips Pan Head (#10-32 x 1/2")	1	3
10			Washer, Plain (1/4 x 7/8 x 1/16")	1	3
11			Washer (1/4 x 3/4 x 3/32")	1	3
12	H,J	1134213	Controller w/ Gasket Connectors, MK6i GB TT RWD	1	1
13	K	1139985	Programmer, MK6i Remote	1	1
13	K	1142215	Kit, MK6i Remote Programmer w/ SD Professional Card & Card Holder (1813M6)	1	1
14	E	1140125-NLA	NLA - Jumper, DCI	1	1
15		1139997	Cover, SD Card Slot	1	1
16		1159217	Package, Thumb Screw (1-1/2" L)	10	1
	B	1095502-NLA	NLA - Package, Tie Wrap (11-1/2" L)	10	1
	B,I	1134214	Kit, GB HD Controller Gasket Connector	1	1

NOTE: A - Includes items 2-5.
 B - Not Shown
 C - MK690 Controller used with all Non-Powered Seating Systems. Used for Manual Recline Backs also
 D - MK690 w/ ACC used with Formula CG Powered Seating Systems. Part #1148360 is no longer required as a replacement for a Base Only order that shipped before 1/19/07,
 D1 - because the software for part #1136898 was revised 9/12/07 to version 2.61a and now accommodates all Base Only orders that shipped before 1/19/07 as well.
 E - DCI Jumper is used when an MPJ+ Joystick is used
 F - Used for all Base Only orders. Discontinued 9/12/07, see part #1136898 as a direct replacement.
 G - Includes items 8-10
 H - Controller will include Gasket Connectors that attach to the motor cables. Part number on controller will reference 1140040, always order 1134213 as a service parts replacement
 I - Kit includes 2 ea. GB HD Controller Gasket Connectors, 2 ea. Silicon Lubricant Packets, 1 ea. Instruction Sheet. Individual components are non-saleable.
 J - The MK6i GB TT RWD controller is used for TDX SR models because of the longer motor leads that are required.
 K - The MK6i Programmer Manual (1141471) is not included and is strongly recommended the guide be ordered or downloaded from Literature Fulfillment.