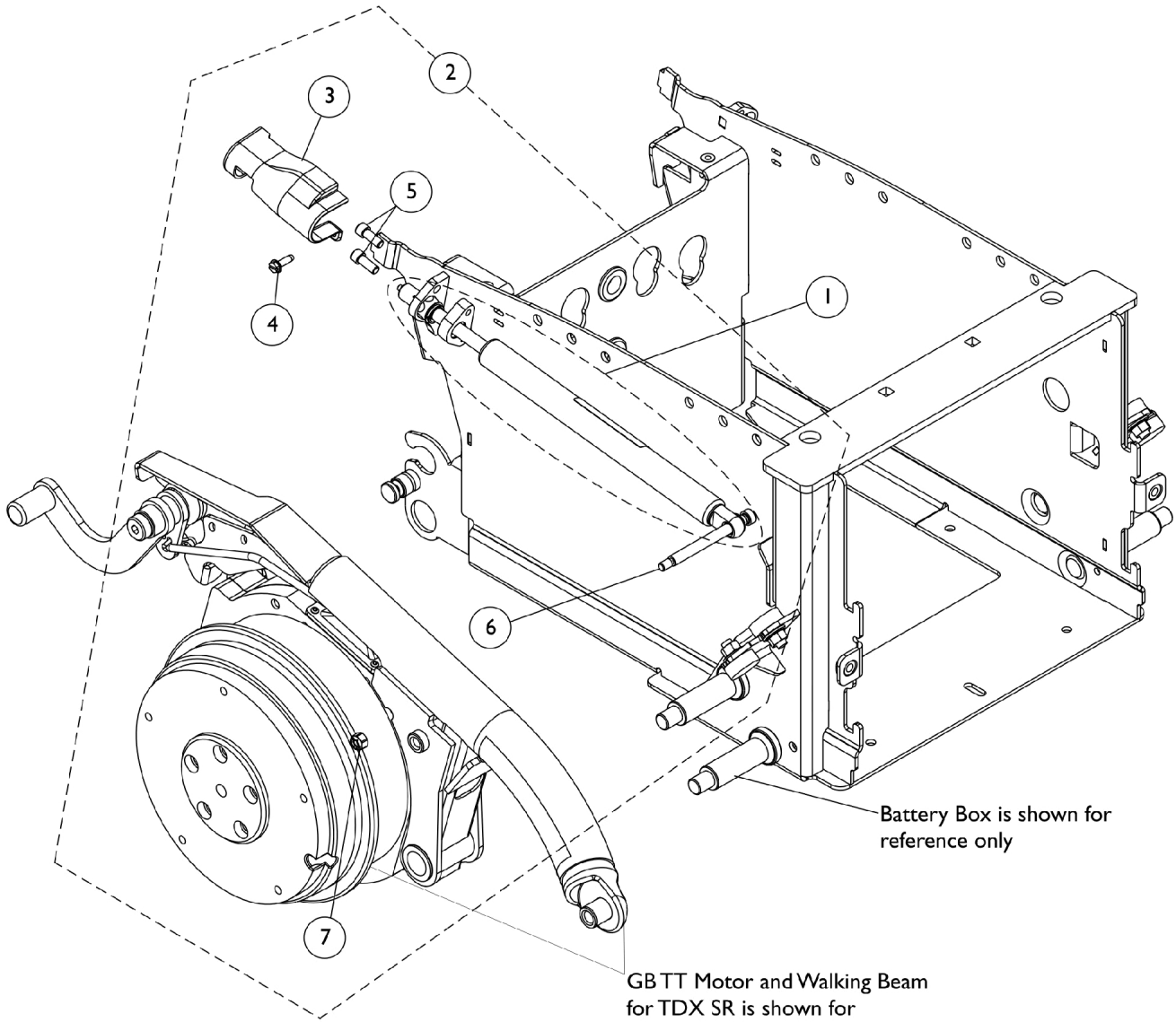


Locking Gas Cylinders

TDX SR



Battery Box is shown for reference only

GBT T Motor and Walking Beam for TDX SR is shown for reference only

Locking Gas Cylinders TDX SR

Item Number	Note	Part Number	Description	Quantity Per	
				Package	Assembly
1	B	1144661	Cylinder, Locking Gas	1	1
1	C	1144655	Cylinder, Locking Gas	1	1
2	A	1149340	Kit, Locking Gas Cylinder Mounting Hardware TDX SR - Right	1	1
3			Boot - Right	1	1
4			Screw, Slotted Hex Washer Head (#10-32 x 5/8")	1	1
5			Screw, Socket Head (1/4-20 x 5/8")	1	2
6			Screw, Shoulder Hex Socket Head (5/16" x 3", 1/4-20)	1	1
7			Locknut (1/4-20)	1	1
2	A	1149341	Kit, Locking Gas Cylinder Mounting Hardware TDX SR - Left	1	1
3			Boot - Left	1	1
4			Screw, Slotted Hex Washer Head (#10-32 x 5/8")	1	1
5			Screw, Socket Head (1/4-20 x 5/8")	1	2
6			Screw, Shoulder Hex Socket Head (5/16" x 3", 1/4-20)	1	1
7			Locknut (1/4-20)	1	1

NOTE: A - Includes items 3-7
B - Used for 300 Lb. User Weight Limit
C - Used for 400 Lb. User Weight Limit