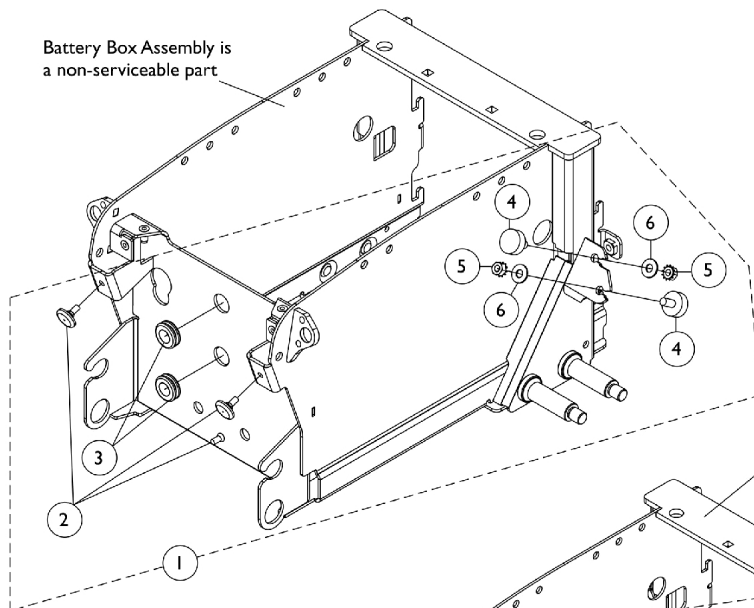
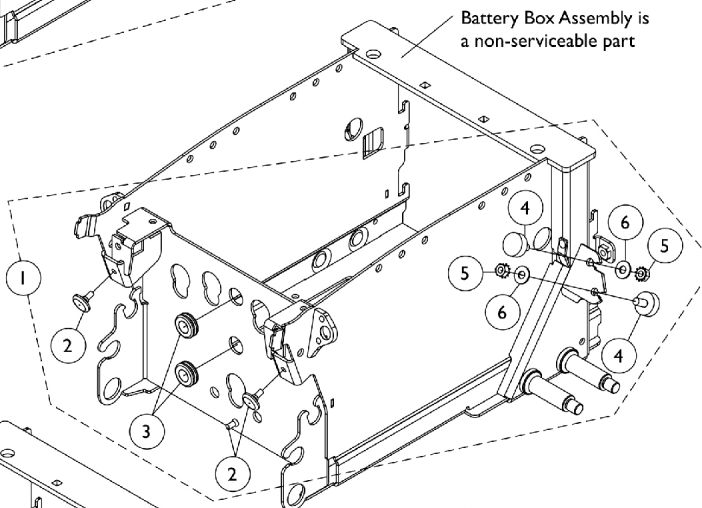


# Battery Box Hardware

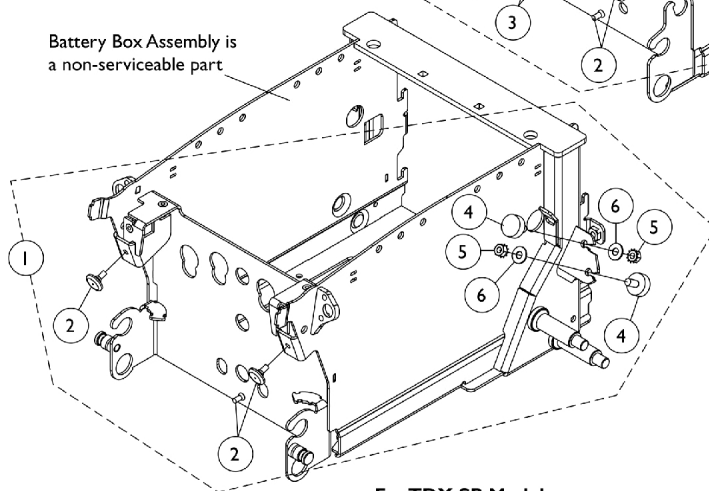
The Battery Boxes are non-serviceable parts in the field. Wheelchair must be returned to Invacare for repair. Call Technical Services for assistance (1-800-832-4707) NOTE: The 22NF Battery Box (NARROW) cannot be used for Vent Tray applications. The GP24/3-22NF Battery Box (WIDE) is the only Battery Box that can be used for Vent Tray applications.



**For TDX SP Models  
with 22NF Batteries**



**For TDX SP Models  
with GP24/3-22NF Batteries**



**For TDX SR Models  
with GP24/3-22NF Batteries**

## Battery Box Hardware

The Battery Boxes are non-serviceable parts in the field. Wheelchair must be returned to Invacare for repair. Call Technical Services for assistance (1-800-832-4707) NOTE: The 22NF Battery Box (NARROW) cannot be used for Vent Tray applications. The GP24/3-22NF Battery Box (WIDE) is the only Battery Box that can be used for Vent Tray applications.

Item Number	Note	Part Number	Description	Quantity Per	
				Package	Assembly
1	A	1145071	Kit, Battery Box Rubber Bumper and Grommet Hardware	1	1
2			Bumper, Rubber (7/8" Diameter x 3/16")	1	3
3			Grommet, Rubber (9/16 ID x 1-1/16 OD x 3/8")	1	2
4			Bumper, Rubber (1" Diameter x 3/8")	1	4
5			NLA - Nut, Keps (5/16-18)	1	4
6			Washer, Steel (5/16 x 3/4 x 1/16")	1	4
1	B	1149335	Kit, Battery Box Rubber Bumper and Grommet Hardware For TDX SR	1	1
2			Bumper, Rubber (7/8" Diameter x 3/16")	1	3
4			Bumper, Rubber (1" Diameter x 3/8")	1	4
5			NLA - Nut, Keps (5/16-18)	1	4
6			Washer, Steel (5/16 x 3/4 x 1/16")	1	4
NOTE: A - Includes items 2-6 and is used for both 22NF NARROW Battery Box and/or GP24/3-22NF WIDE Battery Boxes For TDX SP models B - Includes items 2, 4-6 and is used for GP24/3-22NF WIDE Battery Box for TDX SR models. TDX SR with Elevate will only use (2) 22NF batteries in a WIDE Battery Box					